

SZ Series

INSTRUCTION MANUAL

Model	
SZ-A1	SZ-A6
SZX-B	SZX-T
SZX-BA	SZX-TA
SZO-B	SZO-T
SZ-ST1	SZ-ST2
SZ-ST3	SZ-ST7
SZ-ST8	SZ-OBL
ST-150	ST-152
SZ-STL1	SZ-STL2
SZ-STL3X	SZ-STL5
SZ-STL5A6	SZ-STL5LED

Ver. 2.6 2026



Table of contents

1.	Warning	4
2.	Safety Information	4
3.	Package content	5
3.1	SZX-B / SZX-T / SZX-BA / SZX-TA	5
3.2	SZO-B / SZO-T	6
3.3	SZ-A1	6
3.4	SZ-A6	7
3.5	ST-150	7
3.6	ST-152	8
3.7	SZ-ST1	8
3.8	SZ-ST2 / SZ-ST3	9
3.9	SZ-ST7 / SZ-ST8	9
3.10	SZ-OBL	10
3.11	SZ-STL1	10
3.12	SZ-STL2	11
3.13	SZ-STL3X	11
3.14	SZ-STL5 / SZ-STL5A6	12
3.15	SZ-STL5LED	13
4.	Unpacking	14
5.	Intended use	14
6.	Symbols and conventions	14
7.	Instrument description	15
7.1	System Diagram (rifare system diagram con SZ-STL3X)	15
7.2	SZX-B / SZX-T / SZX-BA / SZX-TA	16
7.3	SZO-B / SZO-T	16
7.4	SZ-A1	17
7.5	SZ-A6	17
7.6	ST-150	18
7.7	ST-152	18
7.8	SZ-ST1	19
7.9	SZ-ST2 / SZ-ST3	19
7.10	SZ-ST7 / SZ-ST8	20
7.11	SZ-OBL	20
7.12	SZ-STL1	21
7.13	SZ-STL2	21
7.14	SZ-STL3X	22
7.15	SZ-STL5 / SZ-STL5A6	22
7.16	SZ-STL5LED	23
8.	Assembling	24
8.1	SZ-A1 / SZ-A6	24
8.2	SZ-ST1 / ST-150	24
8.3	ST-152	24
8.4	SZ-ST2 / SZ-ST3	24
8.5	SZ-ST7 / SZ-ST8 / SZ-OBL	25
8.6	SZ-STL1	25
8.7	SZ-STL2	28
8.8	SZ-STL3X	30
8.9	SZ-STL5 / SZ-STL5A6 / SZ-STL5LED	32
8.9.1	Table fixing with clamp	32
8.9.2	Table fixing with through-hole	33
8.10	Installing the head (all models)	34
8.11	Installing the eyepieces (all models)	34
8.12	Installing the photo port (SZX-T / TA)	34
9.	Use of the microscope	35
9.1	Adjusting interpupillary distance	35
9.2	Focusing	35
9.3	Adjusting the tension of the focus knob	35
9.3.1	SZ-A1	35
9.3.2	SZ-A6	35
9.4	Diopter compensation	36
9.5	Magnification	37
9.6	Use of additional lens	37

9.7	Use of additional lenses 0.3X-0.5X	38
9.8	Black/white stage plate (SZ-ST1 / 2 / 3 / 7 / 8)	38
9.9	Use of illumination (SZ-ST2 / 3 / 7 / 8)	39
9.10	Use of illumination (SZ-OBL)	39
9.11	Use of eye shields (SZO-B / T)	39
9.12	Use of overhanging stand	41
9.12.1	SZ-STL1	41
9.12.2	SZ-STL2	42
9.12.3	SZ-STL3X	43
9.12.4	SZ-STL5 / SZ-STL5A6 / SZ-STL5LED	45
10.	Microphotography	46
10.1	Installing the C-mount adapter	46
10.2	Use of reflex cameras	46
11.	Maintenance	47
12.	Troubleshooting	48
	Equipment disposal	49

1. Warning

This microscope is a scientific precision instrument designed to last for many years with a minimum of maintenance. It is built to high optical and mechanical standards and to withstand daily use. We remind you that this manual contains important information on safety and maintenance, and that it must therefore be made accessible to the instrument users. We decline any responsibility deriving from incorrect instrument use that does not comply with this manual.

2. Safety Information



Avoiding Electrical Shock

Before plugging in the power supply, make sure that the supplying voltage of your region matches with the operation voltage of the equipment and that the lamp switch is in off position. Users should observe all safety regulations of the region. The equipment has acquired the CE safety label. However, users have full responsibility to use this equipment safely. Please follow the guidelines below, and read this manual in its entirety to ensure safe operation of the unit.

3. Package content

3.1 SZX-B / SZX-T / SZX-BA / SZX-TA



- ① Microscope body
 - SZX-B/BA Binocular / SZX-T/TA Trinocular
- ② Eyepieces
- ③ Allen wrenches (only for SZX-T/TA)
- ④ Dust cover
- ⑤ Ring for photo port (only for SZX-T/TA)

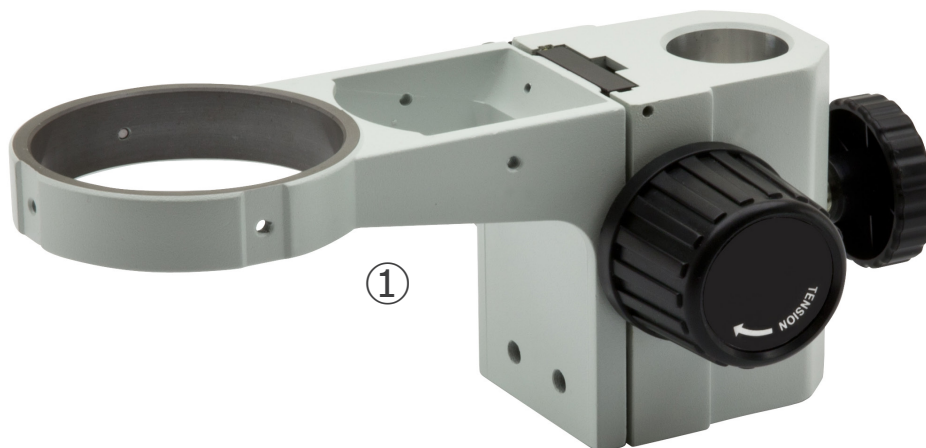
3.2 SZO-B / SZO-T



- ① Microscope body
 - SZO-B Binocular / SZO-T Trinocular
- ② Eyepieces

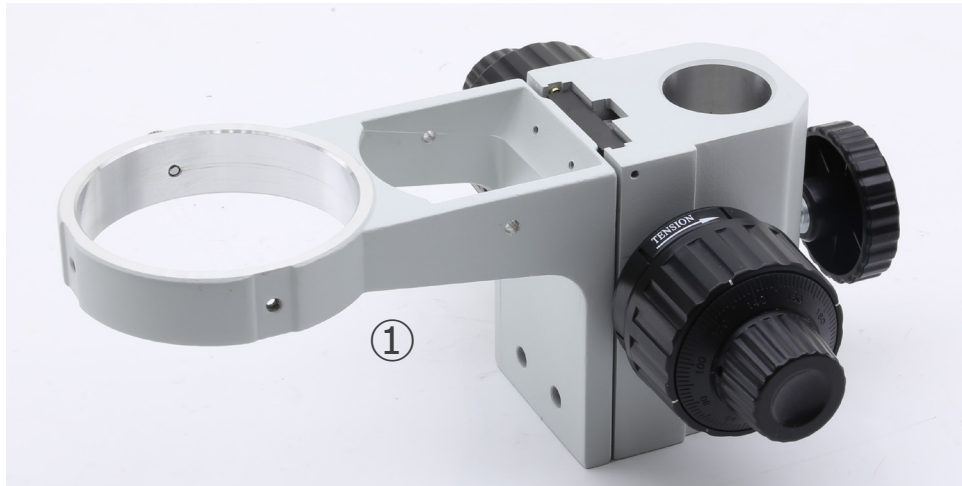
- ③ Allen wrenches (only for SZO-T)
- ④ Dust cover

3.3 SZ-A1



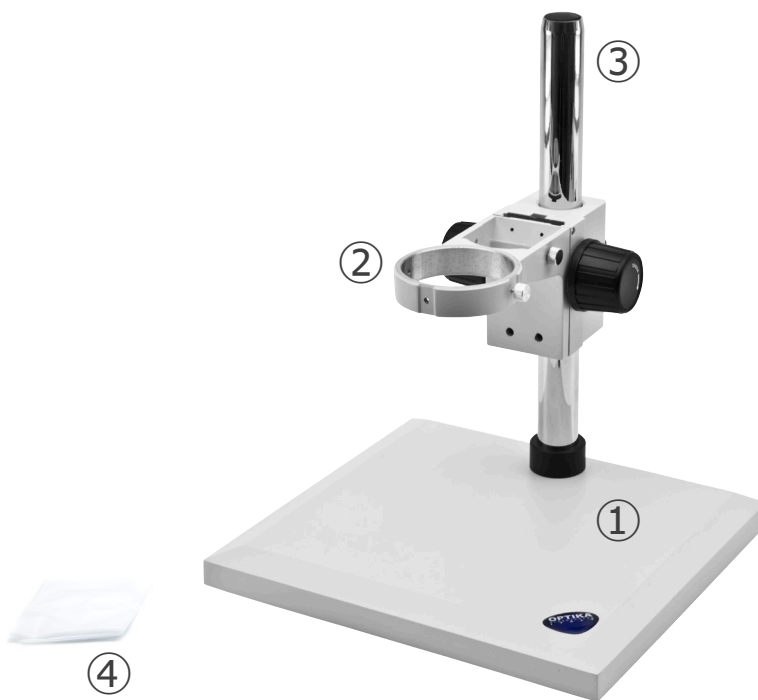
- ① Coarse focus system

3.4 SZ-A6



① Coarse/fine focus system

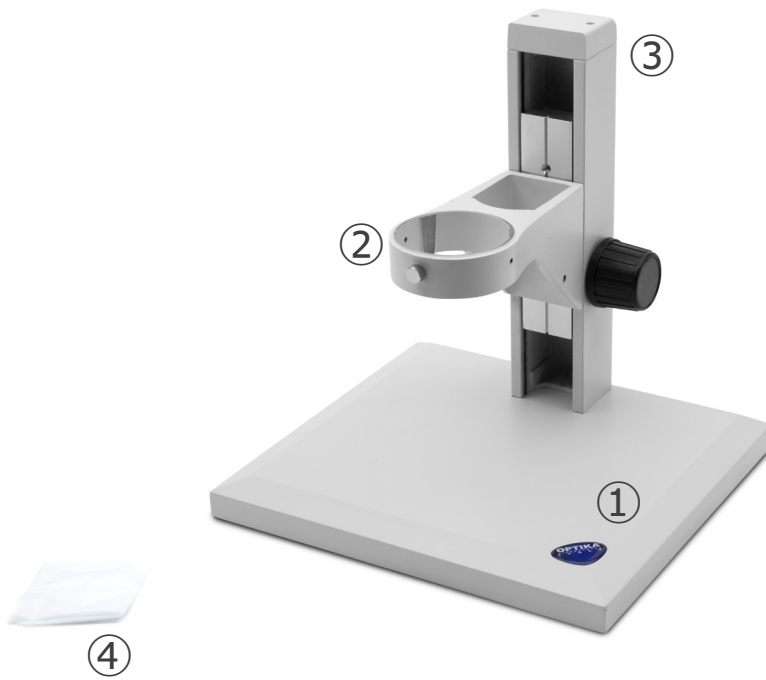
3.5 ST-150



① Base
② Head holder / focus system

③ Pillar
④ Dust cover

3.6 ST-152



- ① Base
- ② Head holder / focus system

- ③ Pillar
- ④ Dust cover

3.7 SZ-ST1



- ① Base
- ② Stage clips (one pair)

- ③ Black/white plate

3.8 SZ-ST2 / SZ-ST3



- ① Base
- ② Transparent disc
- ③ Stage clips (one pair)
- ④ Incident light illuminator
- ⑤ Black/white plate
- ⑥ Power supply

3.9 SZ-ST7 / SZ-ST8



- ① Base
- ② Transparent disc
- ③ Stage clips (one pair)
- ④ Black/white plate
- ⑤ Self-supporting led light guides
- ⑥ Power supply

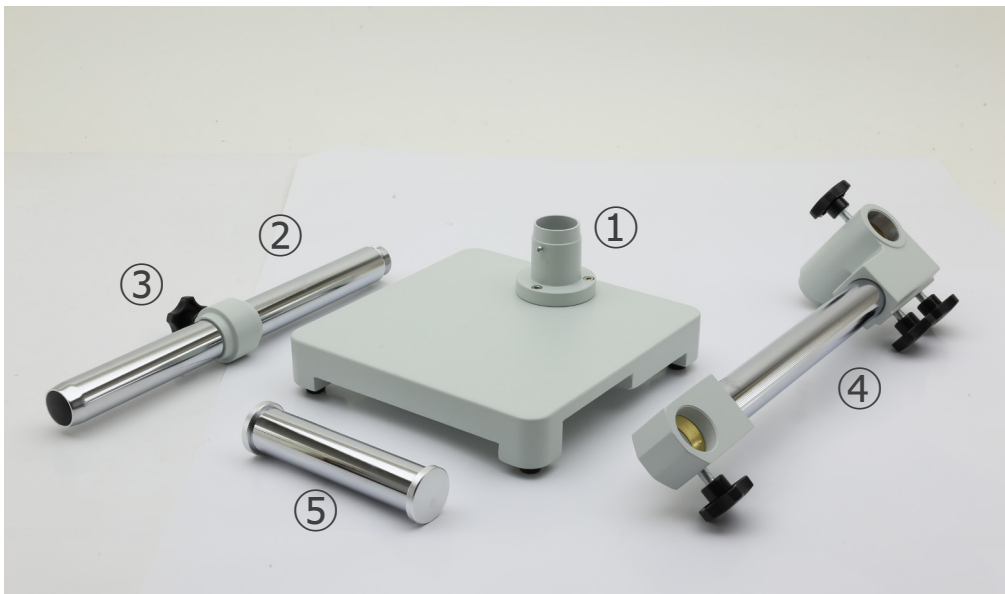
3.10 SZ-OBL



- ① Base
- ② Pillar
- ③ Glass plate

- ④ Power supply
- ⑤ Dust cover

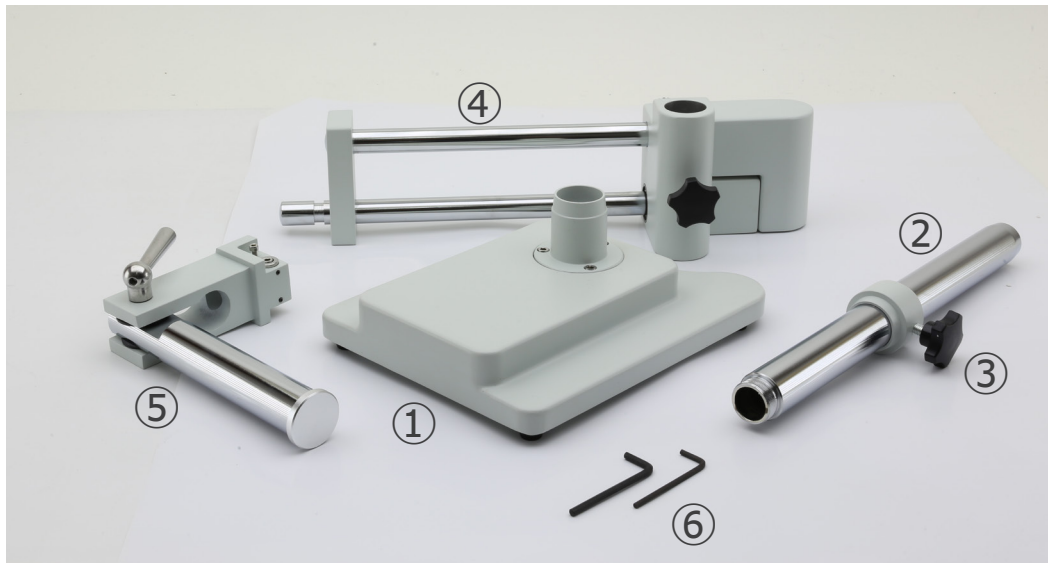
3.11 SZ-STL1



- ① Base
- ② Pillar
- ③ Drop prevention ring

- ④ Horizontal arm
- ⑤ Focus holder arm

3.12 SZ-STL2



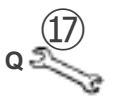
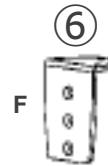
- ① Base
- ② Pillar
- ③ Drop prevention ring
- ④ Horizontal arm
- ⑤ Focus holder arm
- ⑥ Allen wrenches

3.13 SZ-STL3X



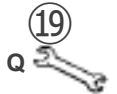
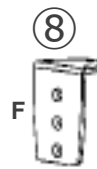
- ① Base
- ② Pillar
- ③ Horizontal arm
- ④ Drop prevention ring
- ⑤ Focus system
- ⑥ Allen wrenches

3.14 SZ-STL5 / SZ-STL5A6



- | | |
|---|---|
| <ul style="list-style-type: none"> ① Pillar ② Horizontal arm ③ Head holder / focus system <ul style="list-style-type: none"> • SZ-STL5: macro • SZ-STL5A6: macro/micro ④ Table clamp (C) ⑤ Drop preventing ring / cable holder (D) ⑥ Clamp holder (F) ⑦ Clamp (G) ⑧ Plastic cover (H) ⑨ Screw for through-hole mounting (I) | <ul style="list-style-type: none"> ⑩ Fixing plate (J) ⑪ Fixing plate (K) ⑫ Washer (L) ⑬ Nut (M) ⑭ Rubber pads (4pcs) (N) ⑮ Allen wrench 4mm (O) ⑯ Allen wrench 6mm (P) ⑰ Spanner (Q) ⑱ Screws M6x10 (2pcs) (R) ⑲ Screws M6x12 (3pcs) (S) ⑳ Screws M6x16 (3pcs) (T) |
|---|---|

3.15 SZ-STL5LED



- | | |
|--|---------------------------|
| ① Pillar | ⑫ Fixing plate (J) |
| ② Horizontal arm | ⑬ Fixing plate (K) |
| ③ Head holder / focus system | ⑭ Washer (L) |
| ④ LED self supporting arms | ⑮ Nut (M) |
| ⑤ Illumination control box with power supply | ⑯ Rubber pads (4pcs) (N) |
| ⑥ Table clamp (C) | ⑰ Allen wrench 4mm (O) |
| ⑦ Drop preventing ring (D) | ⑱ Allen wrench 6mm (P) |
| ⑧ Clamp holder (F) | ⑲ Spanner (Q) |
| ⑨ Clamp (G) | ⑳ Screws M6x10 (2pcs) (R) |
| ⑩ Plastic cover (H) | ㉑ Screws M6x12 (3pcs) (S) |
| ⑪ Screw for through-hole mounting (I) | ㉒ Screws M6x16 (3pcs) (T) |

4. Unpacking

The microscope is housed in a moulded Styrofoam container. Remove the tape from the edge of the container and lift the top half of the container. Take some care to avoid that the optical items (objectives and eyepieces) fall out and get damaged. Using both hands (one around the arm and one around the base), lift the microscope from the container and put it on a stable desk.



Do not touch with bare hands optical surfaces such as lenses, filters or glasses. Traces of grease or other residuals may deteriorate the final image quality and corrode the optics surface in a short time.

5. Intended use

Standard models

For research and teaching use only. Not intended for any animal or human therapeutic or diagnostic use.

IVD Models

Also for diagnostic use, aimed at obtaining information on the physiological or pathological situation of the subject.

6. Symbols and conventions

The following chart is an illustrated glossary of the symbols that are used in this manual.



CAUTION

This symbol indicates a potential risk and alerts you to proceed with caution.



ELECTRICAL SHOCK

This symbol indicates a risk of electrical shock.

7. Instrument description

7.1 System Diagram (rifare system diagram con SZ-STL3X)



7.2 SZX-B / SZX-T / SZX-BA / SZX-TA



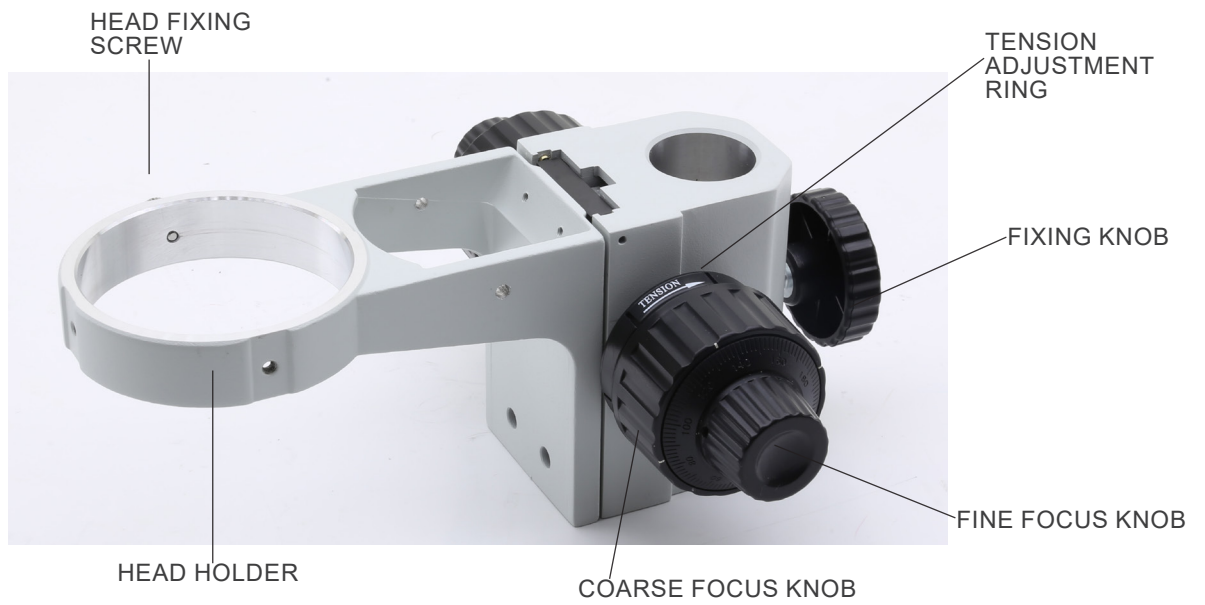
7.3 SZO-B / SZO-T



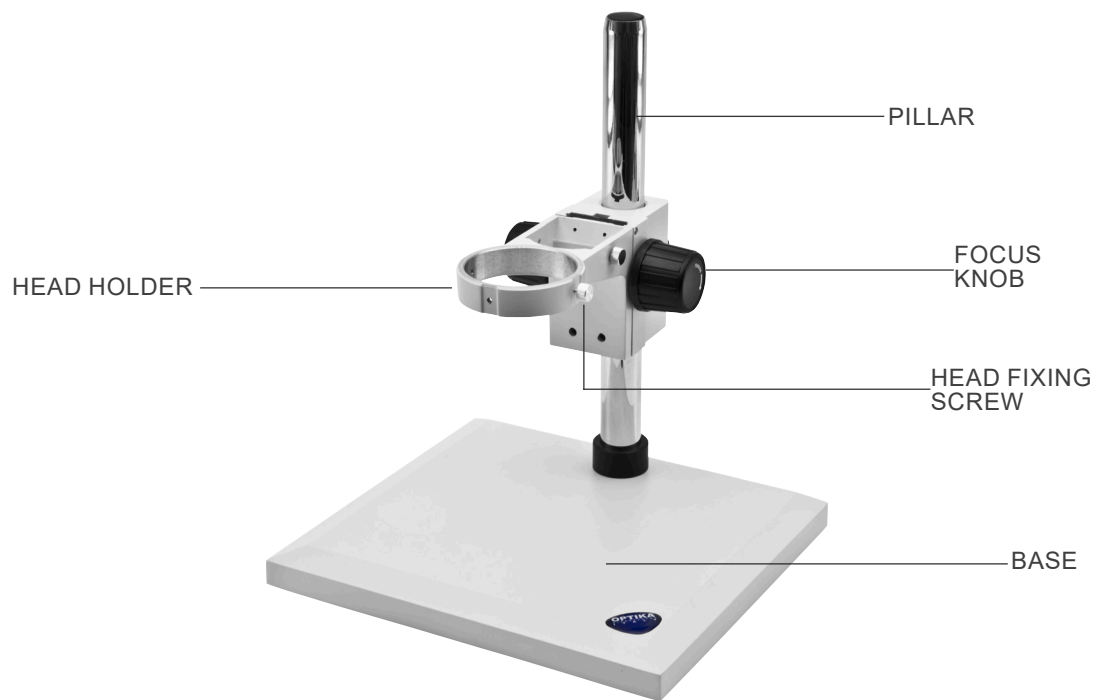
7.4 SZ-A1



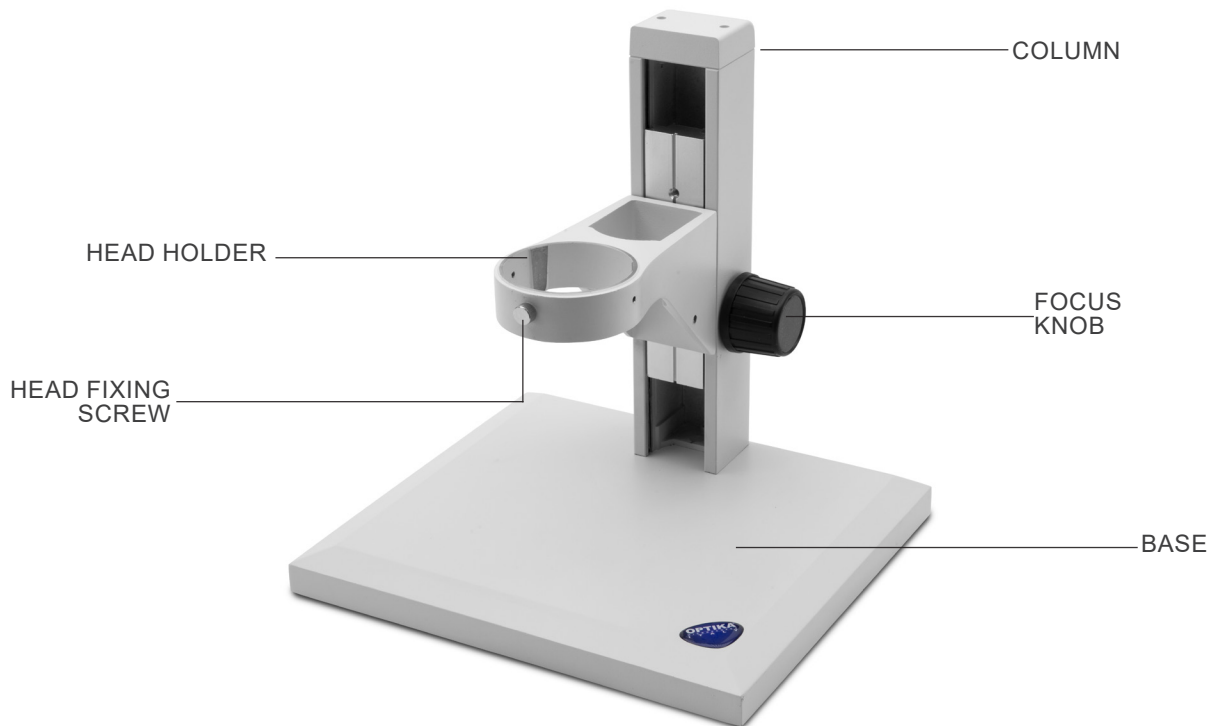
7.5 SZ-A6



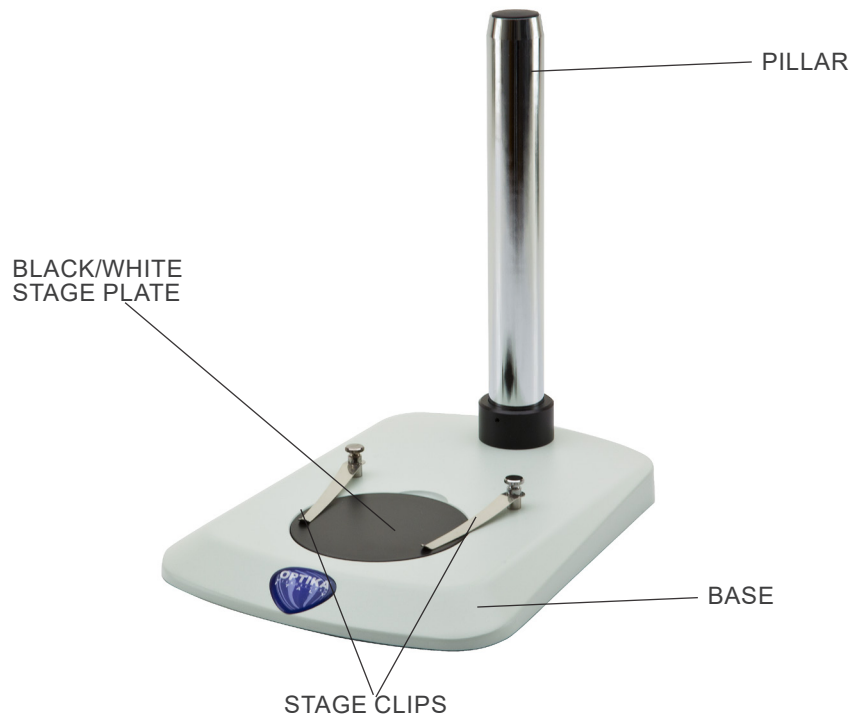
7.6 ST-150



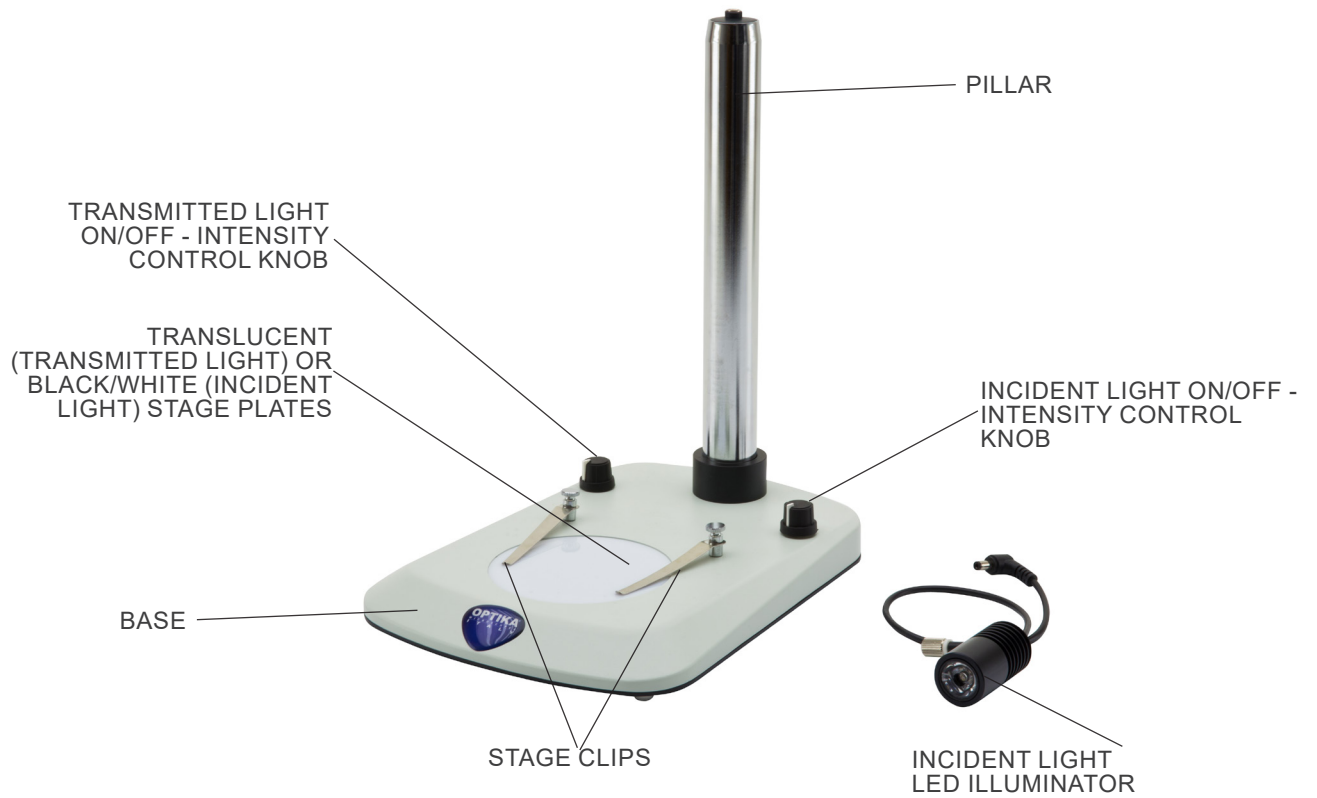
7.7 ST-152



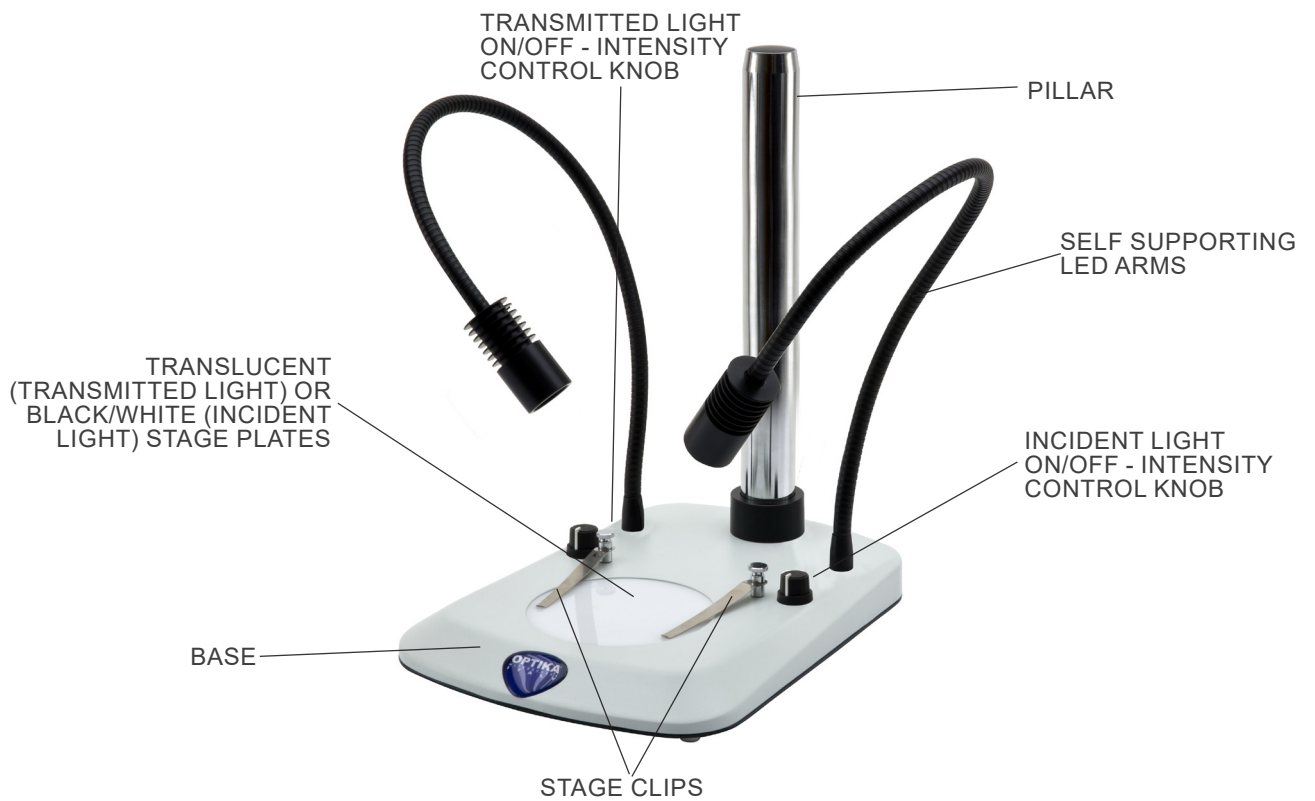
7.8 SZ-ST1



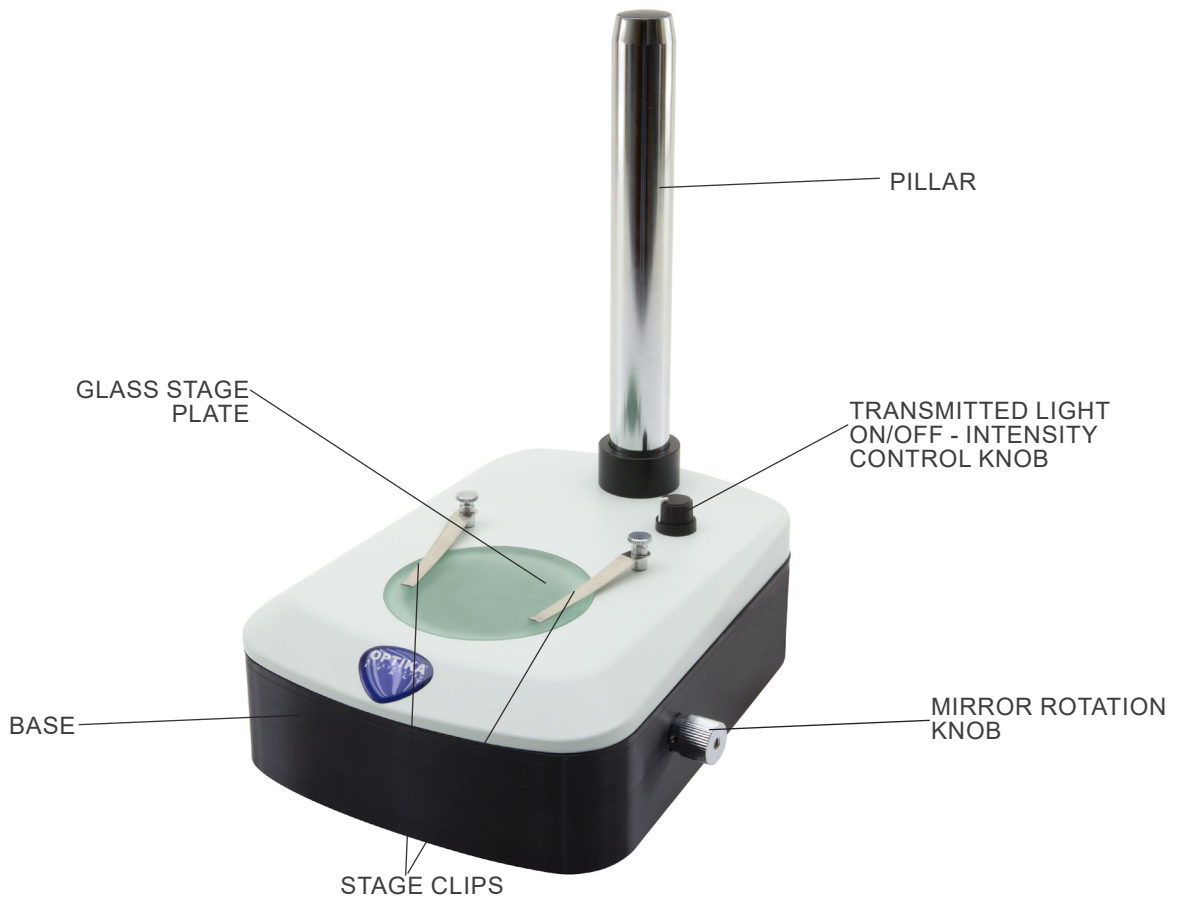
7.9 SZ-ST2 / SZ-ST3



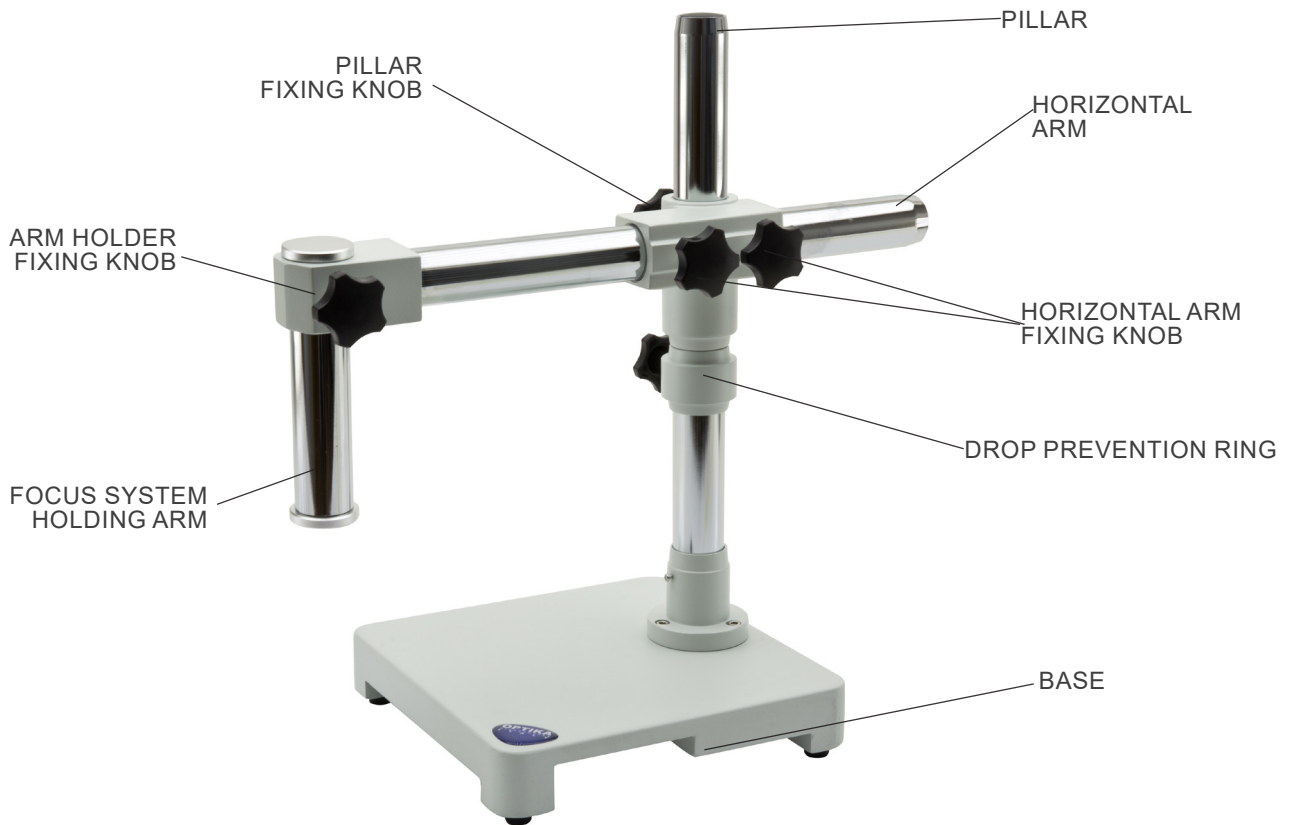
7.10 SZ-ST7 / SZ-ST8



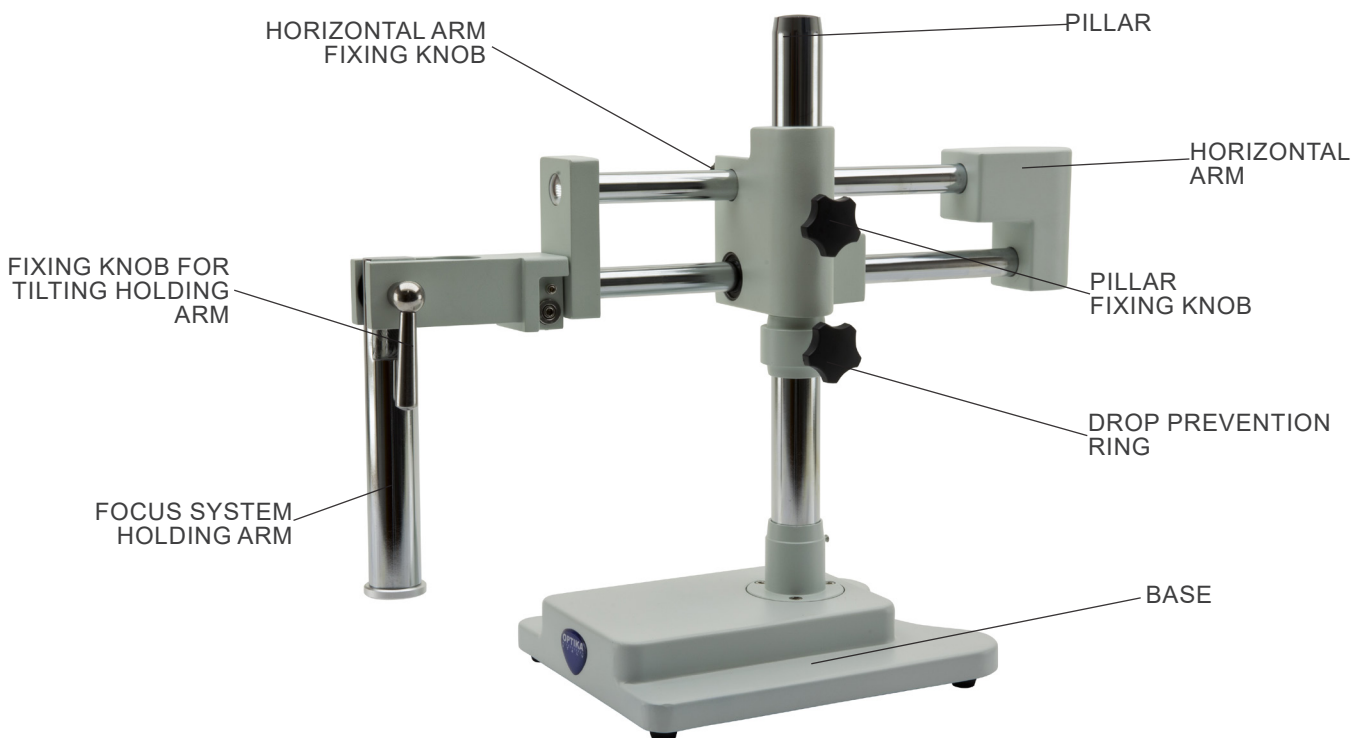
7.11 SZ-OBL



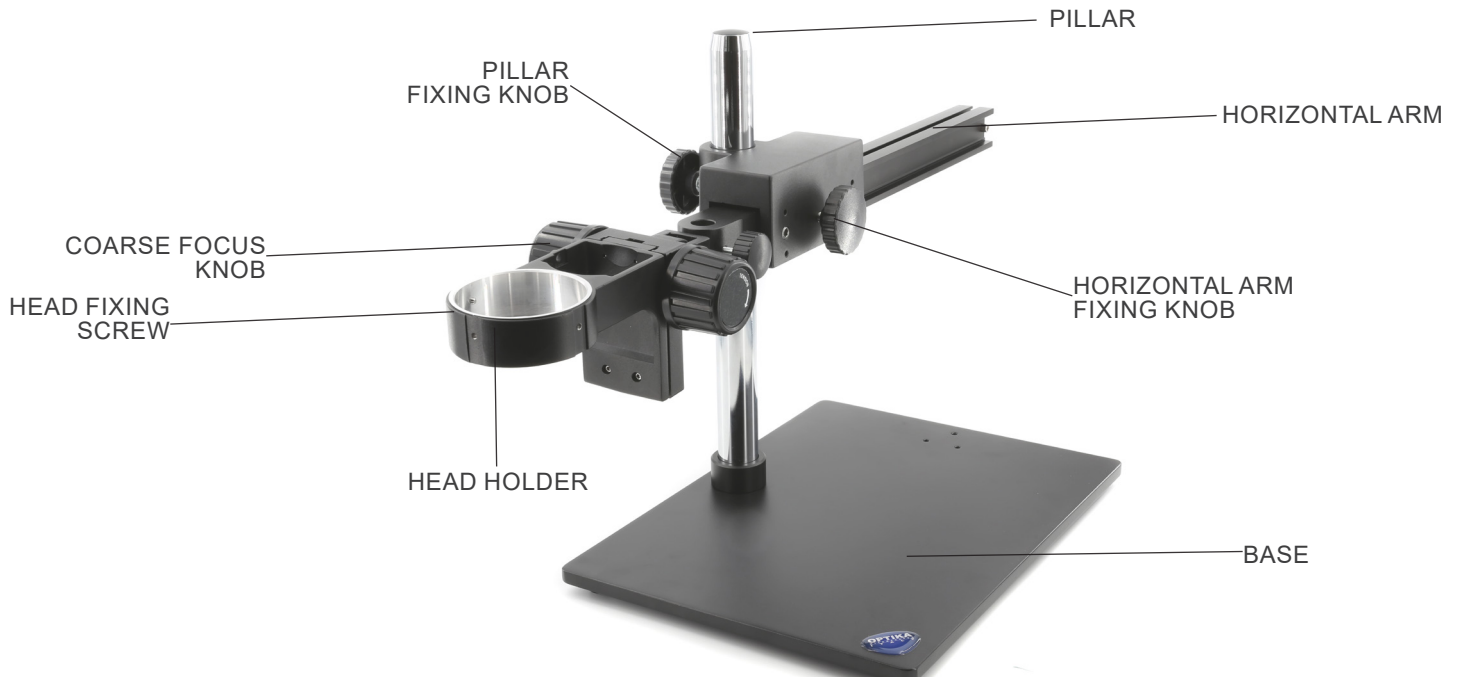
7.12 SZ-STL1



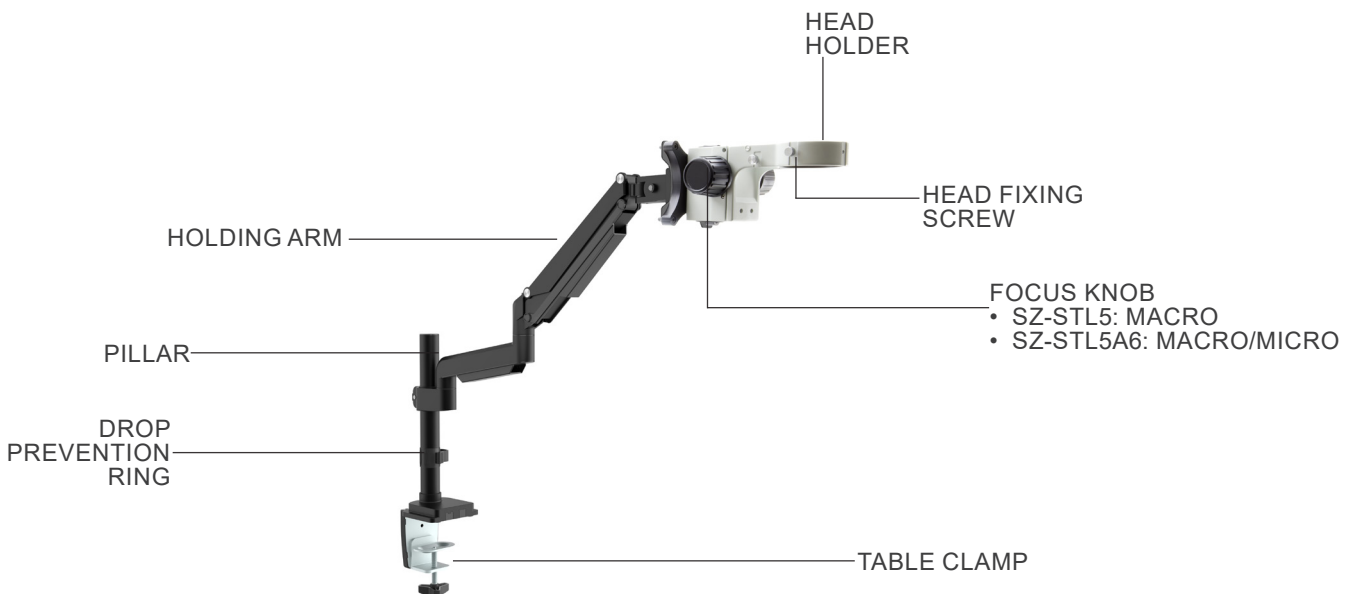
7.13 SZ-STL2



7.14 SZ-STL3X



7.15 SZ-STL5 / SZ-STL5A6



7.16 SZ-STL5LED



8. Assembling

8.1 SZ-A1 / SZ-A6

- The mounting of the SZ-A1 and SZ-A6 focusing systems applies to all bases except ST-152, SZ-STL1, SZ-STL2, SZ-STLX and SZ-STL5. For the assembling procedure on these bases, please refer to the specific section.
1. Place the focusing system on the column and, once the desired height is reached, tighten the locking knob ① located on the back of the focusing system. (Fig. 1)



8.2 SZ-ST1 / ST-150

1. Remove the base from its packaging and place it on a flat surface. The base is already assembled from the factory and does not require any further assembly procedure other than that of mounting the focusing system.

8.3 ST-152

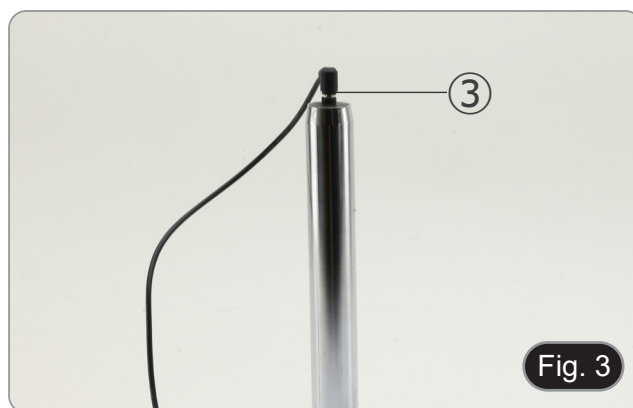
1. Remove the base from its packaging and place it on a flat surface. The base is already assembled from the factory and does not require any further assembly.

8.4 SZ-ST2 / SZ-ST3

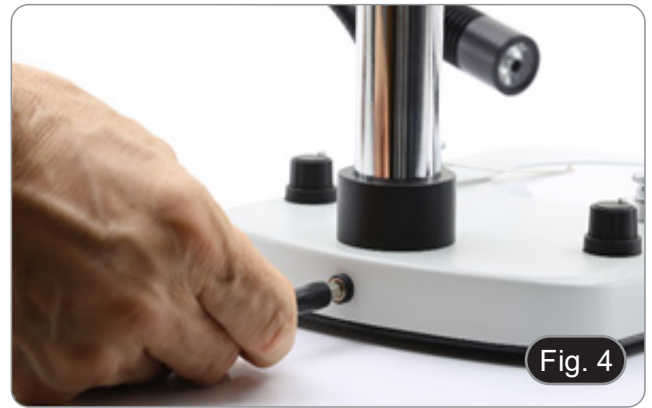
1. Install the LED spotlight for incident light as shown in Fig. 2.
 - By loosening the fixing screw ② you can change the angle of inclination of the spotlight to optimize the illumination on the sample.



2. Insert the cable plug into the socket at the top of the pillar ③. (Fig. 3)



3. Connect the power supply plug to the socket on the back of the microscope base. (Fig. 4)



8.5 SZ-ST7 / SZ-ST8 / SZ-OBL

1. Remove the base from its packaging and place it on a flat surface. The base is already assembled from the factory and does not require any further assembly procedure other than that of mounting the focusing system.
2. Connect the power supply plug to the socket on the back of the microscope base. (Fig. 4)

8.6 SZ-STL1

1. Screw the pillar on the base. (Fig. 5)



2. Tighten the screw to lock the pillar. (Fig. 6)



3. Insert the drop preventing ring and fix it at the desired height by screwing the fixing knob. (Fig. 7)



4. Insert the horizontal arm and secure it with the fixing screw ①. (Fig. 8 - 9)



5. Install the head holder. Unscrew the locking knob ③ and insert the arm for the focus support from above ② into the hole of the horizontal arm. (Fig. 10-11)



6. Once fully inserted, tighten the fixing screw ④ (Fig. 11)



7. Insert from below the focusing system, tighten the fixing screw ⑤ and re-tighten the locking knob ③ from below. (Fig. 12-13)



8.7 SZ-STL2

1. Screw the pillar on the base. (Fig. 14)



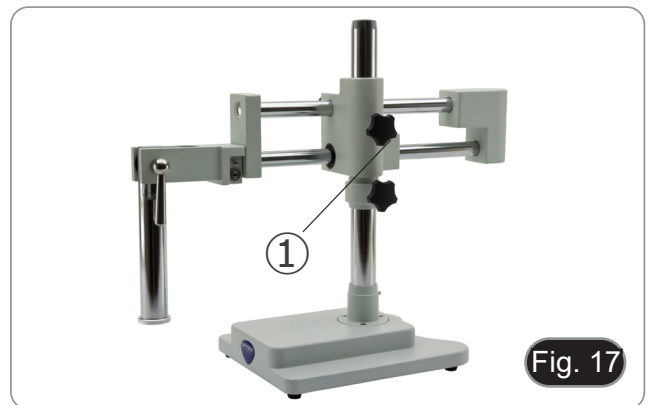
2. Tighten the screw to lock the pillar. (Fig. 15)



3. Insert the drop preventing ring and fix it at the desired height by screwing the fixing knob. (Fig. 16)



4. Insert the horizontal arm and secure it with the fixing screw ① (Fig. 17).



5. For a bigger safety, lock the fixing screw ② with the provided Allen wrench. (Fig. 18)

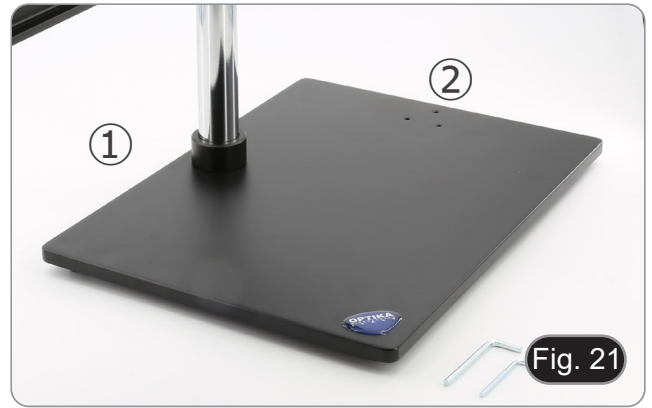


6. Install the head holder. Unscrew the prevention knob ③ and insert the head holder from below in the pillar. Lock the fixing knob ④. At the end screw again the prevention knob ③. (Fig. 19-20)



8.8 SZ-STL3X

1. Insert the three column fixing screws from underneath the base and, using the supplied 3 mm Allen wrench, tighten the screws.
 - Depending on the operator's needs, it is possible to fix the column on the long side ① or the short side ② of the base. (Fig. 21)



2. Insert the drop preventing ring and fix it at the desired height by screwing the fixing knob. (Fig. 22)



3. Insert the horizontal arm and secure it with the fixing screw ③. (Fig. 23)

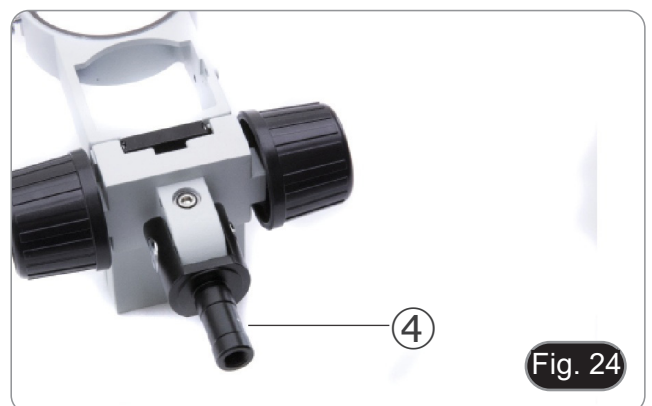


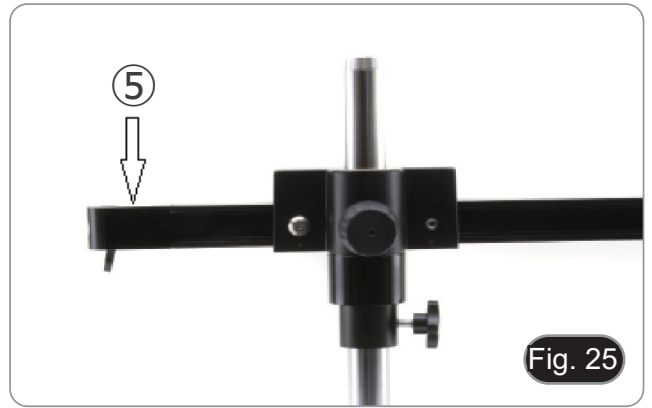
4. Head holder can be installed in several ways according to specific need of the user.

Installation mode n° 1: (Fig. 24-26)

Insert the rear part of the head support (round black part) ④ (Fig. 24) from the top into the hole of the horizontal arm ⑤ (Fig. 25) and lock it with the fixing knob ⑥. (Fig. 26)

- **This mode allows the installation of heavy heads (or with heavy cameras installed on top of the head).**





Installation mode n° 2: (Fig. 27)

Insert the back part of the head holder (black round part) ④ (Fig. 24) in the hole at the end of the horizontal arm and tighten the knob ⑥. (Fig. 27)



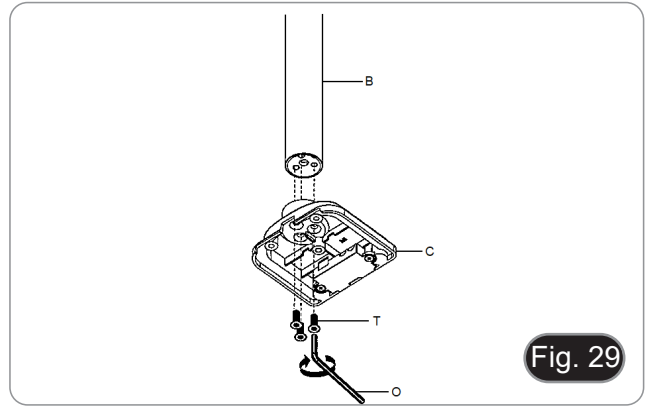
- This mode allows the swivel of the head. (Fig. 28)



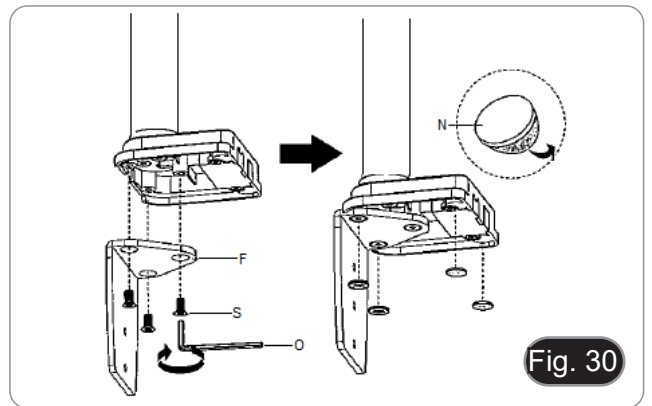
8.9 SZ-STL5 / SZ-STL5A6 / SZ-STL5LED

8.9.1 Table fixing with clamp

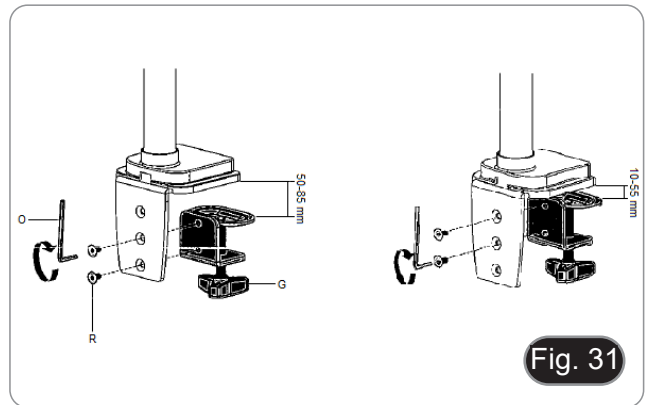
1. Attach the pillar (B) to the table clamp (C) using the three screws (T). (Fig. 29)



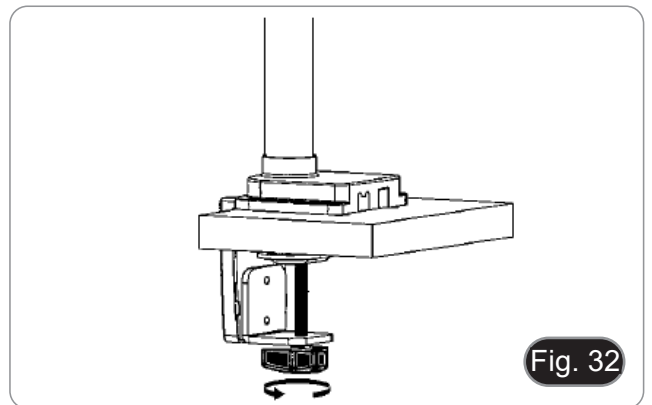
2. Attach the clamp holder (E) to the table clamp (C) using the three screws (S). (Fig. 30)
3. Stick the rubber dampers (N) to the table clamp.



4. Attach the clamp (G) to the clamp holder (F) using the two screws (R). (Fig. 31)
- **NOTE: Depending on the thickness of the table, the clamp (G) can be mounted in two different positions.**



5. Attach the plastic cover (H) to the clamp holder, then fix the assembly to the table by screwing the fixing knob. (Fig. 32)
- **NOTE: The plastic cover (H) also serves as a container for the Allen keys used for assembly and tension adjustment of the various parts.**



6. Insert the drop preventing ring (D) in the pillar.
7. Insert the flexible arm (A) and tighten the fixing screw. (Fig. 33)

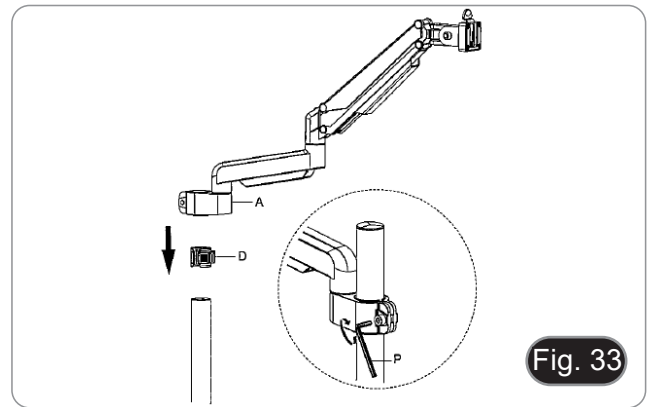


Fig. 33

8.9.2 Table fixing with through-hole

1. Drill a hole in the table where you mean to install the stand.
2. Repeat the procedure described in step 1) of the chapter 8.9.1.
3. Insert the screw (I) into the fixing plate (J).
4. Tighten the fixing plate using the three screws (S). (Fig. 34)
5. Stick the rubber dampers (N) to the table clamp.

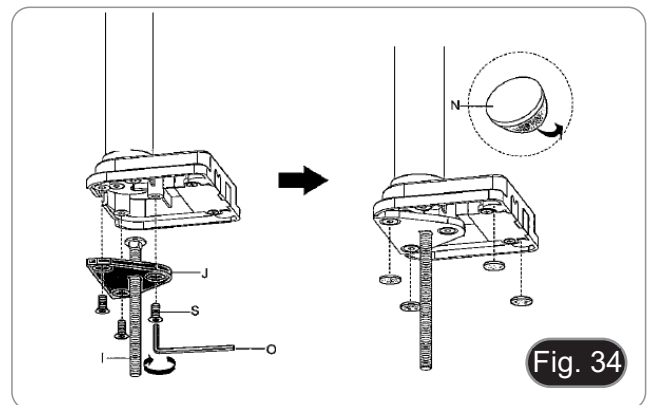


Fig. 34

6. Insert the screw (I) into the hole of the table.
7. Fix the assembly using the fixing plate (K), the washer (L) and the nut (M).
8. Tighten the nut using the spanner (Q). (Fig. 35)
9. Repeat the procedure described in steps 6) and 7) of the chapter 8.2.1 to install the flexible arm.

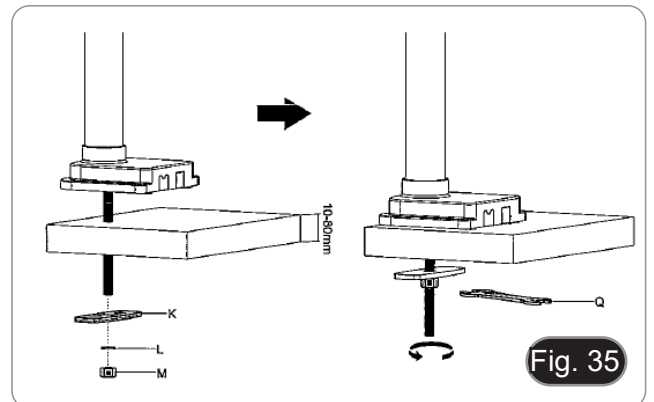


Fig. 35

10. Mount the focus on to the arm, using the provided screws and Allen wrench. (Fig. 36)

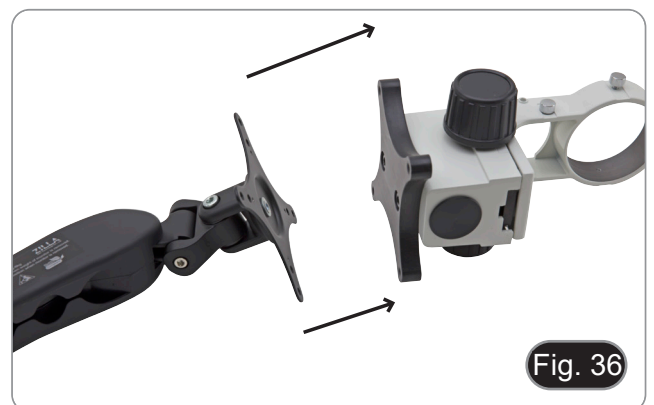


Fig. 36

8.10 Installing the head (all models)

Install the head and screw the fixing knob. (Fig. 37)



Fig. 37

8.11 Installing the eyepieces (all models)

1. Remove the dust caps from the eyepiece sleeves and insert the eyepieces. (Fig. 38)
2. Lock the eyepieces by tightening the locking screw ①.



Fig. 38

8.12 Installing the photo port (SZX-T / TA)

1. Loosen the fixing screws ① of the supplied photo port and remove the existing photo port. (Fig. 39)

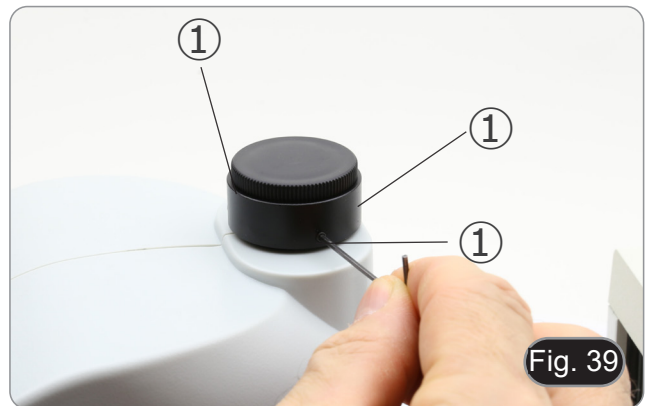


Fig. 39

2. Insert the ring of the photo port ② making sure to leave the fixing screw of the photo adapter ③ facing right. (Fig. 40)
3. Lock the fixing screws ①. (Fig. 39)

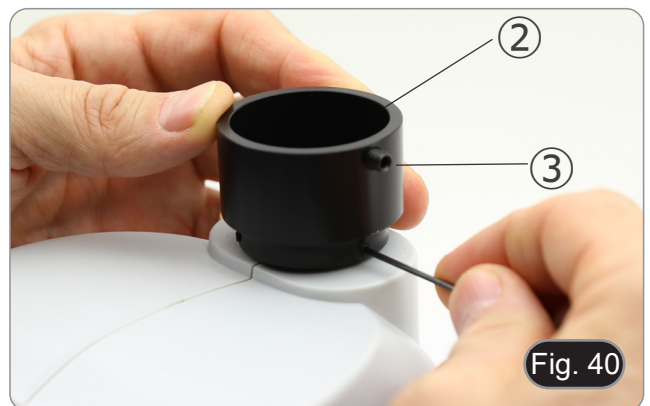


Fig. 40

9. Use of the microscope

9.1 Adjusting interpupillary distance

1. Hold the right and left eyepiece tube with both hands and adjust the interpupillary distance by moving the two parts until one circle of light can be seen.
 - If two circles appear, the interpupillary distance is too big, and if two overlapped circles appear, the interpupillary distance is too small. (Fig. 41)



9.2 Focusing

Put the sample to be observed on the stage plate and focus the sample using the focusing knobs ①.

- If necessary adjust the height of the microscope head along the vertical stand.
- Remember to lock the fixing knob ② after setting the height of the microscope. (Fig. 42)

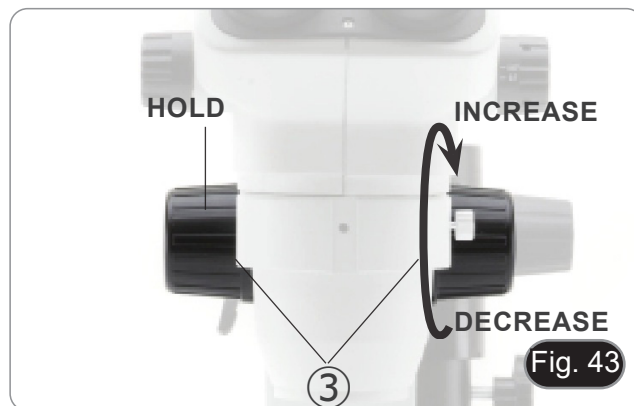


9.3 Adjusting the tension of the focus knob

- This adjustment allows to increase or decrease the tension of the knob by avoiding an involuntary descent of the microscope body under its own weight. Adjust the tension just above the point where the focus is stable.

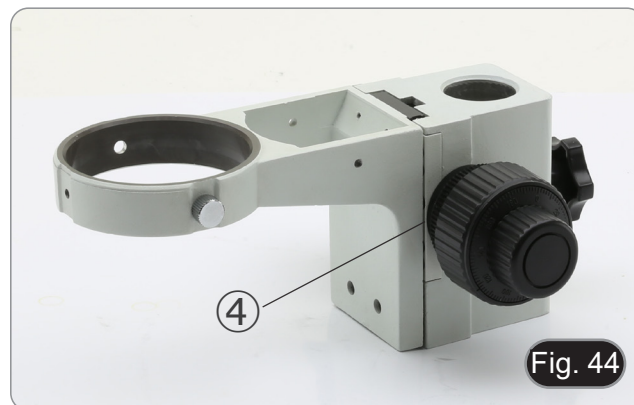
9.3.1 SZ-A1

1. Grab the knobs ③ both hands and, while holding the left knob, turn the right knob.
 - The tension increases or decreases depending on the direction of rotation of the right knob. (Fig. 43)



9.3.2 SZ-A6

1. Turn the adjusting ring ④ clockwise until the desired tension is achieved.
 - Turning it counterclockwise will cause the tension to drop, resulting in a loss of focus. (Fig. 44)



9.4 Diopter compensation

- **This compensation makes possible for people wearing glasses to adjust the microscope to their eyes and use the microscope without glasses.**

1. Put the zoom down to the lowest magnification ① and focus the specimen with the focusing knobs ②. (Fig. 45)
2. Put the zoom to the maximum magnification and repeat the focusing.
3. Return to the lowest magnification: the specimen will be out of focus.



4. Adjust the diopter compensation ring of the right eyepiece ③ (Fig. 46) until the image of the right eyepiece is clear and sharp. Repeat the procedure for the left eyepiece.
5. Check the focus of the image for the whole zoom range. It should be perfectly parfocal (focus is maintained during the change of magnification).



9.5 Magnification

1. Select the desired magnification by adjusting the zoom knob ①. (Fig. 47)
- Change the eyepieces and/or add an appropriate additional lens if needed.
 - **Only for SZO series:** The microscope body is equipped with a “click-stop” function that allows to obtain a precise setting of the desired magnification (Fig. 47). Click stop can be activated or deactivated by operating with the provided Allen wrench in the hole placed in the right side of the microscope body.



9.6 Use of additional lens

1. Screw the desired additional lens on the microscope body. (Fig. 48)
- Each additional lens has a specific Working Distance.
 - The stroke of the focus adapter could not compensate the different working distances of the several additional lenses.
 - In the event that the focus support fails to focus the sample, the entire body of the microscope must be raised or lowered.

Total magnification used can be calculated as:
 Eyepiece magnification * Zoom magnification * Objective lens magnification.



SZX Series (0.67x - 4.5x / F.N. 22 mm)

Eyepiece	10x		15x		20x		25x	
Field Number (mm)	22		16		12		9	
Objective	Total Mag.	F.O.V. (mm)	Total Mag.	F.O.V. (mm)	Total Mag.	F.O.V. (mm)	Total Mag.	F.O.V. (mm)
0.3X	2.01X-13.5X	109.45-16.30	3.02X-20.25X	79.60-11.85	4.02X-27X	59.70-8.89	5.03X-33.75X	44.78-6.67
0.5X	3.35X-22.5X	65.67-9.78	5.03X-33.75X	47.76-7.11	6.7X-45X	35.8-5.33	8.38X-56.25X	26.87-4.00
0.75X	5.03X-33.75X	43.78-6.52	7.54X-50.63X	31.84-4.74	10.05X-67.5X	23.88-3.56	12.56X-84.37X	17.91-2.67
1X	6.7X-45X	32.84-4.89	10.05X-67.5X	23.88-3.56	13.4X-90X	17.91-2.67	16.75X-112.5X	13.43-2.00
1.5X	10.05X-67.5X	21.89-3.26	15.08X-101.25X	15.92-2.37	20.1X-135X	11.94-1.78	25.13X-168.75X	8.96-1.33
2X	13.4X-90X	16.42-2.44	20.1X-135X	11.94-1.78	26.8X-180X	8.96-1.33	33.5X-225X	6.72-1.00

SZX-A Series (0.65x - 5.5x / F.N. 23 mm)

Eyepiece	10x		15x		20x		25x	
Field Number (mm)	23		16		12		9	
Objective	Total Mag.	F.O.V. (mm)	Total Mag.	F.O.V. (mm)	Total Mag.	F.O.V. (mm)	Total Mag.	F.O.V. (mm)
0.3X	1.95X-16.5X	117.95-13.94	2.93X-24.75X	82.05-9.70	3.9X-33X	61.54-7.27	4.88x-41.25x	46.15-5.45
0.5X	3.25X-27.5X	70.77-8.36	4.88X-41.25X	49.23-5.82	6.5X-55X	36.92-4.36	8.13x-68.75X	27.69-3.27
0.75X	4.88X-41.25X	47.18-5.58	7.31X- 61.88X	32.82-3.88	9.75X-82.5X	24.62-2.91	12.19x-103.13X	18.46-2.18
1X	6.5X-55X	35.38-4.18	9.75X-82.5X	24.62-2.91	13X-110X	18.46-2.18	16.25X-137.5X	13.85-1.64
1.5X	9.75X-82.5X	23.59-2.79	14.63X-123.75X	16.41-1.94	19.5X-165X	12.31-1.45	24.38X-206.25X	9.23-1.09
2X	13X-110X	17.69-2.09	19.5X-165X	12.31-1.45	26X-220X	9.23-1.09	32.5X-275X	6.92-0.82

SZO Series (0.67x - 4.5x / F.N. 23 mm)

Eyepiece	10x		15x		20x		25x	
Field Number (mm)	23		16		12		9	
Objective	Total Mag.	F.O.V. (mm)	Total Mag.	F.O.V. (mm)	Total Mag.	F.O.V. (mm)	Total Mag.	F.O.V. (mm)
0.3X	2.01X-13.5X	114.43-17.04	3.02X-20.25X	79.60-11.85	4.02X-27X	59.70 -8.89	5.03X-33.75X	44.78-6.67
0.5X	3.35X-22.5X	68.66-10.22	5.03X-33.75X	47.76-7.11	6.7X-45X	35.82-5.33	8.38X-56.25X	26.87-4.00
0.75X	5.03X-33.75X	45.77-6.81	7.54X- 50.63X	31.84-4.74	10.05X-67.5X	23.88-3.56	12.56X-84.38X	17.91-2.67
1X	6.7X-45X	34.33-5.11	10.05X-67.5X	23.88-3.56	13.4X-90X	17.91-2.67	16.75X-112.5X	13.43-2.00
1.5X	10.05X-67.5X	22.89-3.41	15.08X-101.25X	15.92-2.37	20.1X-135X	11.94-1.78	25.13X-168.75X	8.96-1.33
2X	13.4X-90X	17.16-2.56	20.1X-135X	11.94-1.78	26.8X-180X	8.96-1.33	33.5X-225X	6.72-1.00

9.7 Use of additional lenses 0.3X-0.5X

The additional lenses 0.3X and 0.5X have a long working distance and therefore the total stroke of the focusing column cannot compensate.

To make the additional lenses 0.3X and 0.5X work correctly, proceed as follows:

1. Screw the additional lens on the microscope body as already described in chapter 9.6.
2. Uninstall the microscope body from the head holder.
3. Install the spacer ① in the head holder and screw the fixing knob ②. (Fig. 49)
4. Re-install the microscope body onto the spacer and screw the fixing knob ③. (Fig. 50)
5. Begin working normally.



Fig. 49



Fig. 50

9.8 Black/white stage plate (SZ-ST1 / 2 / 3 / 7 / 8)

You can use a black/white contrast disc to increase the contrast of the image when working in incident light. (Fig. 51)

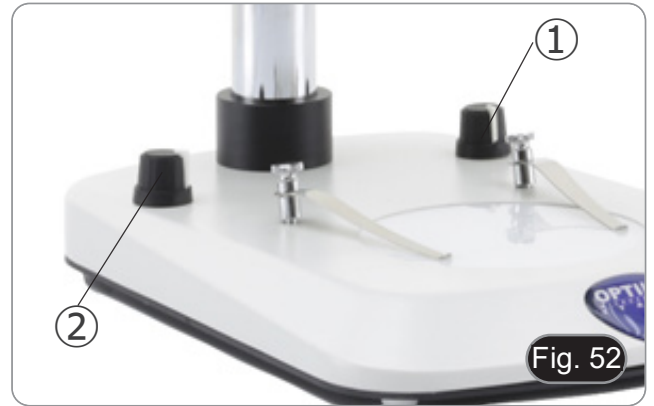
If you are looking at bright samples, place the disc with the black side facing up.



Fig. 51

9.9 Use of illumination (SZ-ST2 / 3 / 7 / 8)

1. Turn the transmitted light knob ② in order to turn ON/OFF or to change the intensity of the transmitted light LED. (Fig. 52)
 2. Turn the incident light knob ① in order to turn ON/OFF or to change the intensity of the incident light LED.
- It is possible to use both illuminations at the same time.



Only for SZ-ST7 / SZ-ST8:

- Tilt and position the self-supporting arms of the base ③ to optimally illuminate the sample. (Fig. 53)
- The arms can be placed individually in the desired position.



9.10 Use of illumination (SZ-OBL)

1. Turn the transmitted light knob ① in order to turn ON/OFF or to change the intensity of the transmitted light LED. (Fig. 54)
 2. Turn the mirror rotation knob ② to tilt the mirror until the desired oblique illumination is obtained.
- The mirror has a smooth surface and a knurled surface. The two surfaces make it possible to optimize observation by providing adequate contrast depending on the sample to be observed.



9.11 Use of eye shields (SZO-B / T)

• Use with eyeglasses

Fold rubber eyeshields with both hands. Folded eyeshields avoid scratching the lenses of eyeglasses. (Fig. 55)



- **Use without eyeglasses**

Raise eye shields and observe at the microscope placing eyes to the shields, avoiding external light to disturb the observation. (Fig. 56)



9.12 Use of overhanging stand

9.12.1 SZ-STL1

Moving the horizontal arm

1. Unlock the knob on the right side of the horizontal arm ①. (Fig. 57)



2. The arm can be extended or shortened according to specific needs. (Fig. 58)



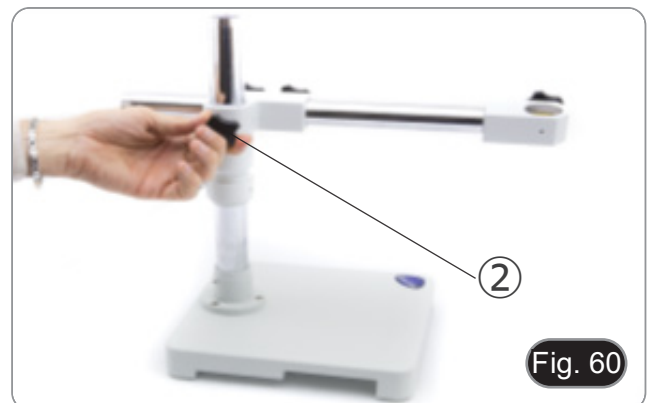
Swivel the head

1. Unlock the fixing knob ① and rotate the head to the desired swivel angle (left or right), then tighten the knob again. (Fig. 59)



Rotating the horizontal arm

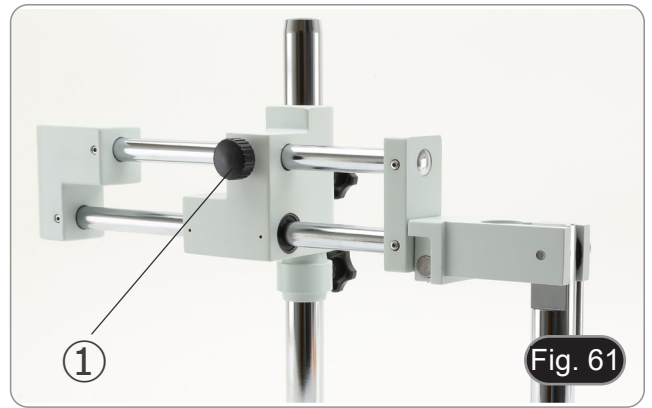
1. Loosen the horizontal arm fixing knob ② and rotate the arm, then tighten again the fixing knob. (Fig. 60)
- **NOTE: 180° rotation of the microscope with respect to the base could cause a rollover of the entire system.**



9.12.2 SZ-STL2

Moving the horizontal arm

1. Unlock the knob on the left side of the horizontal arm ①. (Fig. 61)
2. The arm can be extended or shortened according to specific needs. (Fig. 62)



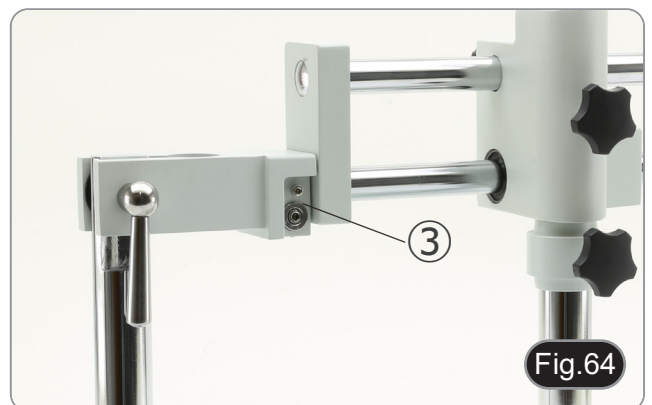
Tilting the head holder

1. Loosen the knob ② (Fig. 63) on the right side of the head holder. The tilting pillar can be moved. Once the desired angle is achieved, tighten the knob again.



Swivel the head

1. Unlock the fixing knob ③ and rotate the head to the desired swivel angle (left or right), then tighten the knob again. (Fig. 64-65)





Rotating the horizontal arm

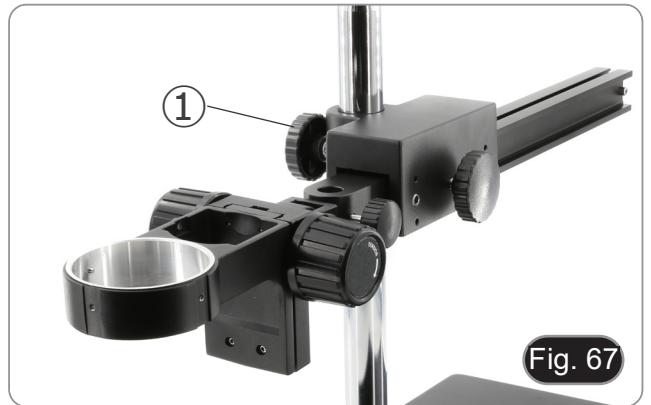
1. Loosen the horizontal arm fixing knob ④ and rotate the arm, then tighten again the knob. (Fig. 66)
- **NOTE: 180° rotation of the microscope with respect to the base could cause a rollover of the entire system.**



9.12.3 SZ-STL3X

Moving the horizontal arm

1. Unlock the knob on the left side of the horizontal arm ①. (Fig. 67)



2. The arm can be extended or shortened according to specific needs. (Fig. 68)



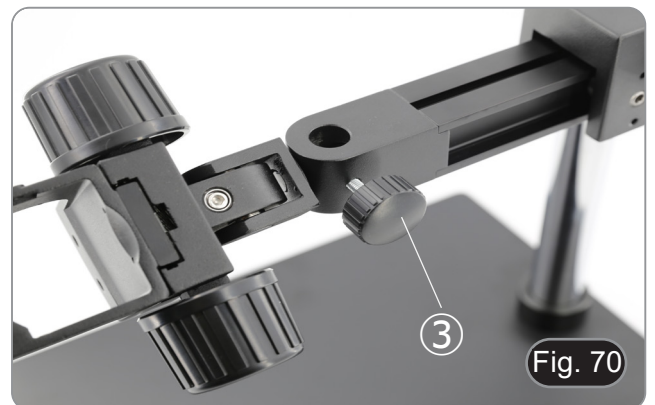
Tilting the head holder

1. Loosen the Allen screw ② (Fig. 69) on the top of the head holder.
2. The tilting black part can be moved. Once the desired angle is achieved, tighten the wrench again.



Swivel the head

1. Unlock the fixing knob ③ and rotate the head to the desired swivel angle (left or right), then tighten the knob again. (Fig. 70-71)



Rotating the horizontal arm

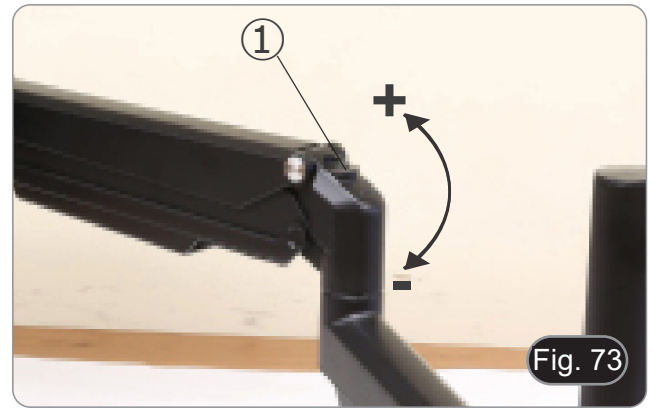
1. Loosen the horizontal arm fixing knob ④ and rotate the arm, then tighten again the knob. (Fig. 72)
- **NOTE: 180° rotation of the microscope with respect to the base could cause a rollover of the entire system.**



9.12.4 SZ-STL5 / SZ-STL5A6 / SZ-STL5LED

Adjusting the horizontal arm tension

- If the horizontal arm tends to drop automatically, the tension may need to be adjusted to match the total weight of the system.
1. Using 6mm Allen wrench (P) tighten the screw ① to increase the resistance of the horizontal arm bracket. (Fig. 73)
- Counterclockwise rotation increases the tension, while clockwise rotation reduces it.



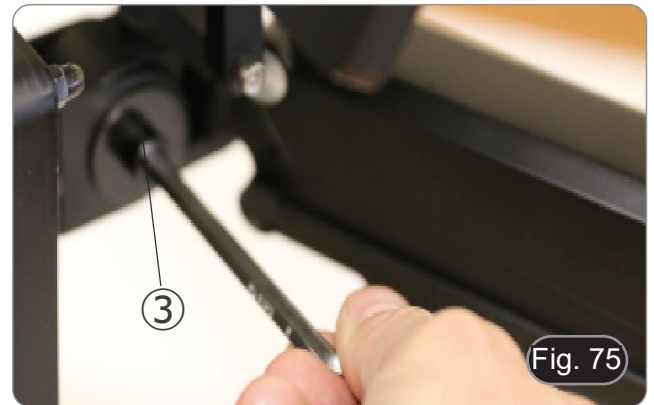
Swinging the head

- Head can be rotated horizontally.
1. Using 6mm Allen Wrench (P) loosen the screw ②, rotate the camera in the desired position then tighten the screw. (Fig. 74)



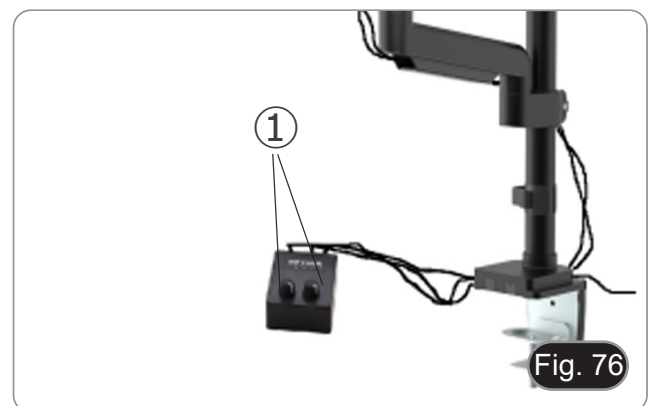
Tilting the head

1. Using 6mm Allen Wrench (P) loosen the screw ③, tilt the head in the desired position then tighten the screw. (Fig. 75)



Adjusting the light intensity (only SZ-STL5LED)

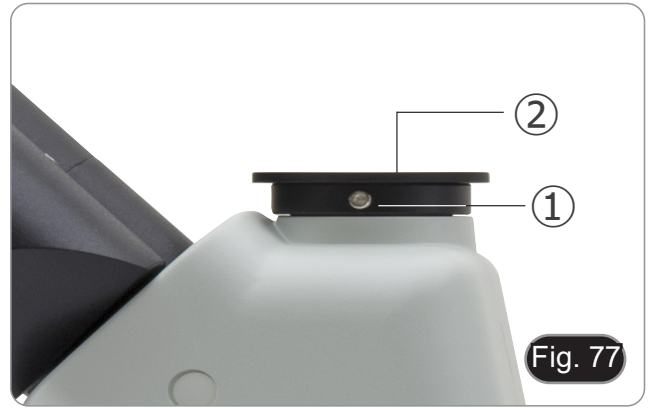
Rotate the light intensity adjustment knobs ① to turn ON/OFF and to increase / decrease the light intensity of each single LED arm. (Fig. 76)



10. Microphotography

10.1 Installing the C-mount adapter

1. Loosen the clamping screw ① on the trinocular port and remove the dust cap ②. (Fig. 77)
2. Screw the C-mount adapter ③ to the camera ④ and insert the round dovetail of the C-mount into the empty hole of the trinocular port (Fig. 78), then tighten the clamping screw ①.



10.2 Use of reflex cameras

1. Insert the Reflex adapter ① into the relay tube ②.
 2. Screw the "T2" ring ③ (not provided) to the reflex adapter.
 3. Connect the Reflex camera ④ to the "T2" ring just installed. (Fig. 79)
 4. Mount the other end of the relay tube ② into the empty hole of the trinocular port, then tighten the clamping screw. (Fig. 77)
- "T2" ring is not provided along with the microscope, but is commercially available.
 - While shooting dark specimens, darken eyepieces and viewfinder with a dark cloth to minimize the diffused light.
 - To calculate the magnification of the camera: objective magnification * camera magnification * lens magnification.
- **When using an SLR camera, mirror movement may cause the camera to vibrate.**
 - **We suggest lifting the mirror, using long exposure times and a remote cord.**



11. Maintenance

Microscopy environment

This microscope is recommended to be used in a clean, dry and shock free environment with a temperature of 5°-40°C and a maximum relative humidity of 75 % (non condensing). Use a dehumidifier if needed.

To think about when and after using the microscope



- The microscope should always be kept vertically when moving it and be careful so that no moving parts, such as the eyepieces, fall out.
- Never mishandle or impose unnecessary force on the microscope.
- Never attempt to service the microscope yourself.
- After use, turn off the light immediately, cover the microscope with the provided dust-cover, and keep it in a dry and clean place.

Electrical safety precautions



- Before plugging in the power supply, make sure that the supplying voltage of your region matches with the operation voltage of the equipment and that the lamp switch is in off- position.
- Users should observe all safety regulations of the region. The equipment has acquired the CE safety label. However, users do have full responsibility to use this equipment safely.

Cleaning the optics

- If the optical parts need to be cleaned try first to: use compressed air.
- If that is not sufficient: use a soft lint-free piece of cloth with water and a mild detergent.
- And as a final option: use the piece of cloth moistened with a 3:7 mixture of ethanol and ether.
- **Note: ethanol and ether are highly flammable liquids. Do not use them near a heat source, near sparks or near electric equipment. Use these chemicals in a well ventilated room.**
- Remember to never wipe the surface of any optical items with your hands. Fingerprints can damage the optics.
- Do not disassemble objectives or eyepieces in attempt to clean them.

For the best results, use the OPTIKA cleaning kit (see catalogue).

If you need to send the microscope to Optika for maintenance, please use the original packaging.

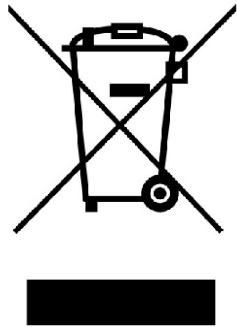
12. Troubleshooting

Review the information in the table below to troubleshoot operating problems.

PROBLEM	CAUSE	SOLUTION
I. Optical Section:		
The illumination is ON, but the field of view is dark	The plug is not connected to the illumination	Connect the cable
	The brightness is too low	Adjust to a proper setting
The edge of the field of view is vignetted or the brightness is asymmetric	The incident illuminator is not correctly oriented	Change the angle of the incident illuminator
Dust and stains can be seen in the field of view	There are stains and dust on the specimen	Clean the specimen
	There are stains and dust on the eyepiece	Clean the eyepiece
Poor image quality: <ul style="list-style-type: none"> The image is not sharp The contrast is not high The details are not clear Image glares 	The lenses (additional lens, objective, eyepieces) are dirt	Thoroughly clean all the optical system
One side of the image is out of focus	The specimen is out of place (tilted)	Place the specimen flat on the stage
II. Mechanical Section:		
The focus knob is hard to turn	The tension adjustment collar is too tight	Loosen the tension adjustment collar
The focus is unstable	The tension adjustment collar is too loose	Tighten the tension adjustment collar
III. Electric Section:		
The LED doesn't turn on	No power supply	Check the power cord connection
The brightness is not enough	The brightness adjustment is low	Adjust the brightness
The light blinks	The power cord is poorly connected	Check the power cord
IV. Viewing tube assembly:		
The field of view of the two eyes is different	The interpupillary distance is not correct	Adjust the interpupillary distance
	The diopter correction is not right	Adjust the diopter correction
	The viewing technique is not correct, and the operator is straining the eyesight	When look into the eyepieces, do not stare at the specimen but look at the whole field of view. Periodically, move the eyes away to look at a distant object, then back into the eyepieces
V. Microphotography and video:		
The image is unfocused	Incorrect focusing	Adjusting the focus system as in the present manual
Bright patches appear on the image	Stray light is entering the microscope through the eyepieces and through the camera viewfinder	Cover the eyepieces and the viewfinder with a dark cloth

Equipment disposal

Art.13 Dlsg 25 July 2005 N°151. "According to directives 2002/95/EC, 2002/96/EC and 2003/108/EC relating to the reduction in the use of hazardous substances in electrical and electronic equipment and waste disposal."



The basket symbol on equipment or on its box indicates that the product at the end of its useful life should be collected separately from other waste. The separate collection of this equipment at the end of its lifetime is organized and managed by the producer. The user will have to contact the manufacturer and follow the rules that he adopted for end-of-life equipment collection. The collection of the equipment for recycling, treatment and environmentally compatible disposal, helps to prevent possible adverse effects on the environment and health and promotes reuse and/or recycling of materials of the equipment. Improper disposal of the product involves the application of administrative penalties as provided by the laws in force.

OPTIKA® S.r.l.

Via Rigla, 30 - 24010 Ponteranica (BG) - ITALY Tel.: +39 035.571.392
info@optikamicroscopes.com - www.optikamicroscopes.com

OPTIKA® Spain

spain@optikamicroscopes.com

OPTIKA® USA

usa@optikamicroscopes.com

OPTIKA® China

china@optikamicroscopes.com

OPTIKA® India

india@optikamicroscopes.com

OPTIKA® Central America

america@optikamicroscopes.com

Serie SZ

MANUALE DI ISTRUZIONI

Modello	
SZ-A1	SZ-A6
SZX-B	SZX-T
SZX-BA	SZX-TA
SZO-B	SZO-T
SZ-ST1	SZ-ST2
SZ-ST3	SZ-ST7
SZ-ST8	SZ-OBL
ST-150	ST-152
SZ-STL1	SZ-STL2
SZ-STL3X	SZ-STL5
SZ-STL5A6	SZ-STL5LED

Ver. 2.6 2026



Sommario

1.	Avvertenza	54
2.	Informazioni sulla sicurezza	54
3.	Contenuto della confezione	55
3.1	SZX-B / SZX-T / SZX-BA / SZX-TA	55
3.2	SZO-B / SZO-T	56
3.3	SZ-A1	56
3.4	SZ-A6	57
3.5	ST-150	57
3.6	ST-152	58
3.7	SZ-ST1	58
3.8	SZ-ST2 / SZ-ST3	59
3.9	SZ-ST7 / SZ-ST8	59
3.10	SZ-OBL	60
3.11	SZ-STL1	60
3.12	SZ-STL2	61
3.13	SZ-STL3X	61
3.14	SZ-STL5 / SZ-STL5A6	62
3.15	SZ-STL5LED	63
4.	Disimballaggio	64
5.	Uso previsto	64
6.	Simboli	64
7.	Descrizione dello strumento	65
7.1	Diagramma di Sistema	65
7.2	SZX-B / SZX-T / SZX-BA / SZX-TA	66
7.3	SZO-B / SZO-T	66
7.4	SZ-A1	67
7.5	SZ-A6	67
7.6	ST-150	68
7.7	ST-152	68
7.8	SZ-ST1	69
7.9	SZ-ST2 / SZ-ST3	69
7.10	SZ-ST7 / SZ-ST8	70
7.11	SZ-OBL	70
7.12	SZ-STL1	71
7.13	SZ-STL2	71
7.14	SZ-STL3X	72
7.15	SZ-STL5 / SZ-STLA6	72
7.16	SZ-STL5LED	73
8.	Assemblaggio	74
8.1	SZ-A1 / SZ-A6	74
8.2	SZ-ST1 / ST-150	74
8.3	ST-152	74
8.4	SZ-ST2 / SZ-ST3	74
8.5	SZ-ST7 / SZ-ST8 / SZ-OBL	75
8.6	SZ-STL1	75
8.7	SZ-STL2	78
8.8	SZ-STL3X	80
8.9	SZ-STL5 / SZ-STLA6 / SZ-STL5LED	82
8.9.1	Fissaggio al tavolo con morsetto	82
8.9.2	Fissaggio al tavolo con foro passante	83
8.10	Installare la testa (tutti i modelli)	84
8.11	Installare gli oculari (tutti i modelli)	84
8.12	Installare l'uscita foto (SZX-T / TA)	84
9.	Uso del microscopio	85
9.1	Regolazione della distanza interpupillare	85
9.2	Messa a fuoco	85
9.3	Regolazione della tensione delle manopole di messa a fuoco	85
9.3.1	SZ-A1	85
9.3.2	SZ-A6	85
9.4	Compensazione diottrica	86
9.5	Ingrandimento	87
9.6	Uso di lenti addizionali	87

9.7	Uso delle lenti addizionali 0.3X-0.5X	88
9.8	Piattello bianco/nero (SZ-ST1 / 2 / 3 / 7 / 8)	88
9.9	Uso dell'illuminazione (SZ-ST2 / 3 / 7 / 8)	89
9.10	Uso dell'illuminazione (SZ-OBL)	89
9.11	Uso del paraocchi in gomma (SZO-B / T)	89
9.12	Uso delle basi a sbalzo	91
9.12.1	SZ-STL1	91
9.12.2	SZ-STL2	92
9.12.3	SZ-STL3X	93
9.12.4	SZ-STL5 / SZ-STLA6 / SZ-STL5LED	95
10.	Microfotografia	96
10.1	Uso di telecamere a passo "C"	96
10.2	Uso di fotocamere Reflex	96
11.	Manutenzione	97
12.	Guida alla risoluzione dei problemi	98
	Smaltimento	99

1. Avvertenza

Questo microscopio è uno strumento scientifico di alta precisione, progettato per durare a lungo con una minima manutenzione; la realizzazione è secondo i migliori standard ottici e meccanici, per poter essere utilizzato quotidianamente. Vi ricordiamo che questo manuale contiene informazioni importanti per la sicurezza e per la manutenzione dello strumento, e deve quindi essere messo a disposizione di coloro che lo utilizzeranno.

Decliniamo ogni responsabilità derivante da un utilizzo dello strumento non indicato nel presente manuale.

2. Informazioni sulla sicurezza



Per evitare shock elettrici

Prima di collegare il cavo di alimentazione alla presa elettrica, assicurarsi che il voltaggio della rete locale coincida con il voltaggio dello strumento e che l'interruttore dell'illuminazione sia nella posizione "OFF".

Gli utenti dovranno seguire tutte le norme di sicurezza locali. Lo strumento è certificato CE. In ogni caso, gli utilizzatori sono gli unici responsabili per un utilizzo sicuro dello strumento. Per l'utilizzo in sicurezza dello strumento è importante attenersi alle seguenti istruzioni e leggere il manuale in tutte le sue parti.

3. Contenuto della confezione

3.1 SZX-B / SZX-T / SZX-BA / SZX-TA



① Corpo del microscopio

• SZX-B/BA Binoculare / SZX-T/TA Trinoculare

② Oculari

③ Brugole (solo per SZX-T/TA)

④ Copertina antipolvere

⑤ Anello uscita foto (solo per SZX-T/TA)

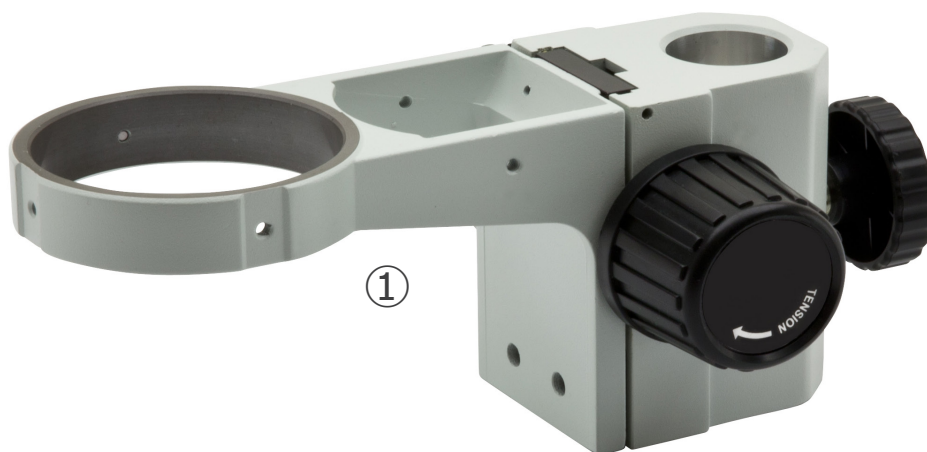
3.2 SZO-B / SZO-T



- ① Corpo del microscopio
 - SZO-B Binoculare / SZO-T Trinoculare
- ② Oculari

- ③ Brugola (solo per SZO-T)
- ④ Copertina antipolvere

3.3 SZ-A1



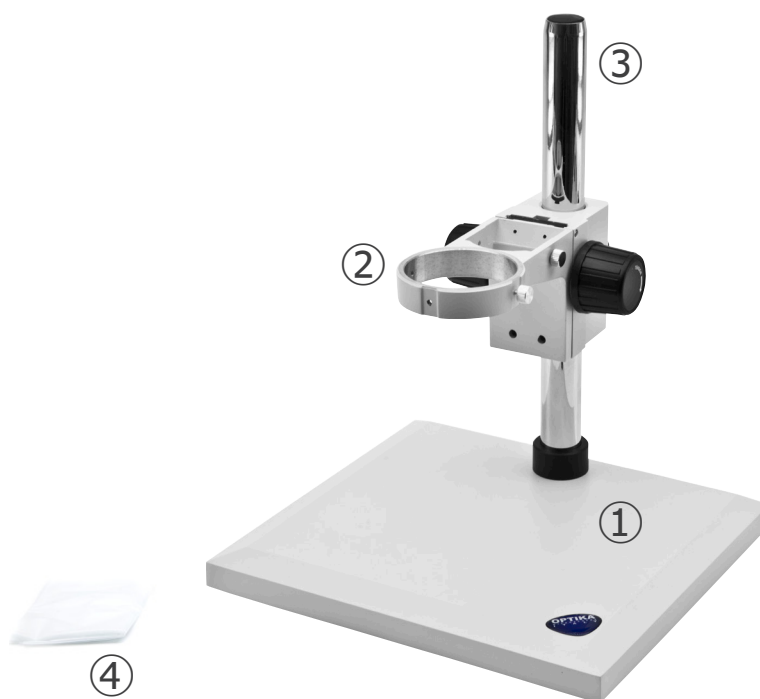
- ① Messa a fuoco macro

3.4 SZ-A6



① Messa a fuoco macro-micro

3.5 ST-150



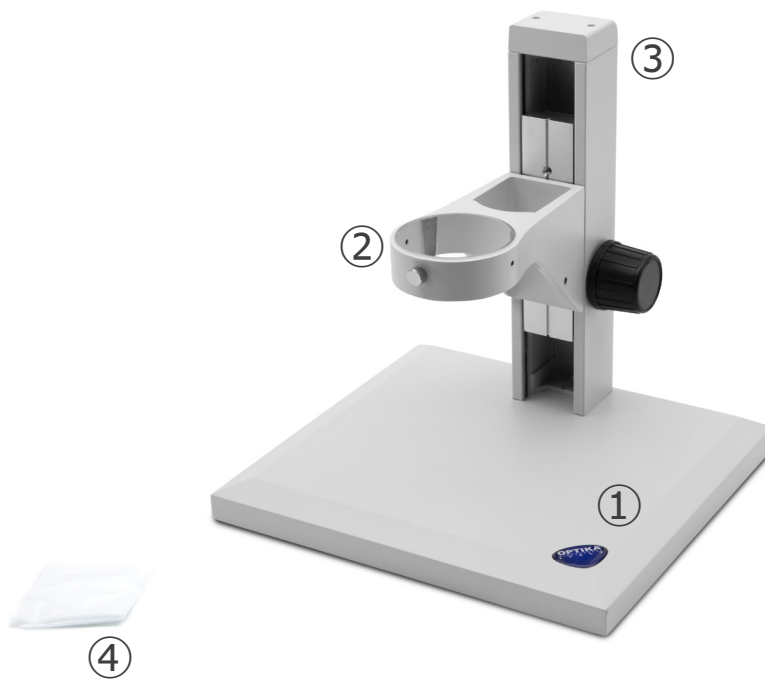
① Base

② Supporto testa / messa a fuoco

③ Colonna

④ Copertina antipolvere

3.6 ST-152



① Base

② Supporto testa / messa a fuoco

③ Colonna

④ Copertina antipolvere

3.7 SZ-ST1



① Base

② Mollettine (una coppia)

③ Disco bianco / nero

3.8 SZ-ST2 / SZ-ST3



- ① Base
- ② Disco opalino
- ③ Mollettine (una coppia)

- ④ Illuminatore luce incidente
- ⑤ Disco bianco / nero
- ⑥ Alimentatore

3.9 SZ-ST7 / SZ-ST8



- ① Base
- ② Disco opalino
- ③ Mollettine (una coppia)

- ④ Disco bianco / nero
- ⑤ Alimentatore

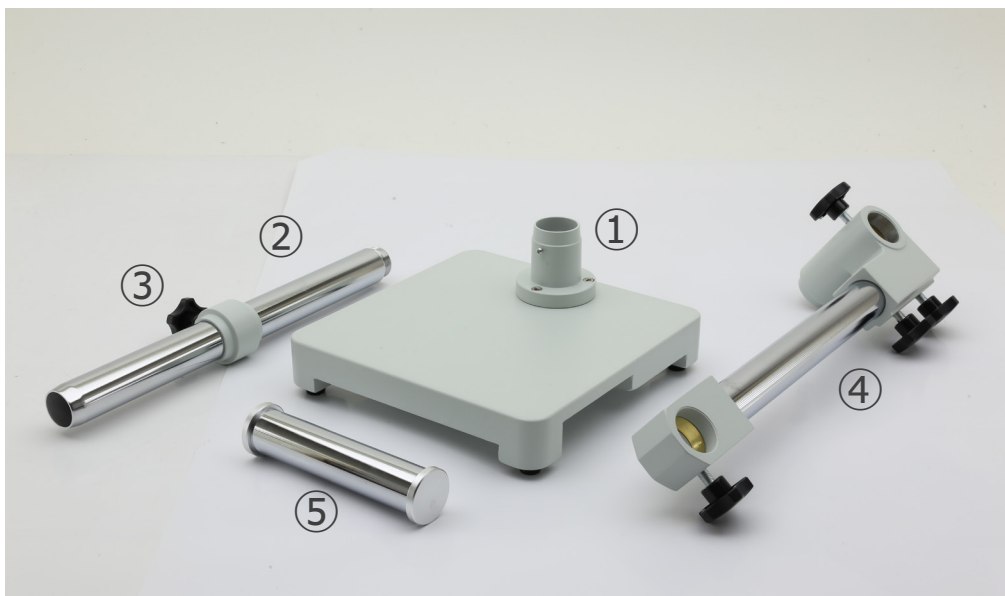
3.10 SZ-OBL



- ① Base
- ② Colonna
- ③ Piattello in vetro

- ④ Alimentatore
- ⑤ Copertina antipolvere

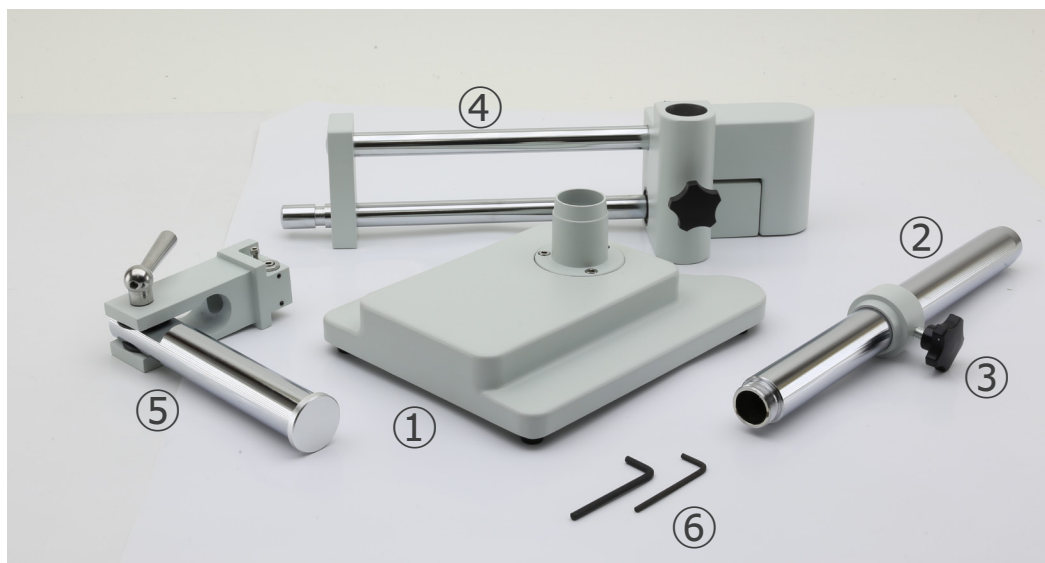
3.11 SZ-STL1



- ① Base
- ② Colonna
- ③ Anello prevenzione discesa

- ④ Braccio orizzontale
- ⑤ Braccio di supporto messa a fuoco

3.12 SZ-STL2



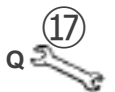
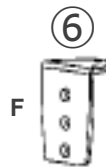
- ① Base
- ② Colonna
- ③ Anello prevenzione discesa
- ④ Braccio orizzontale
- ⑤ Braccio di supporto messa a fuoco
- ⑥ Brugole

3.13 SZ-STL3X



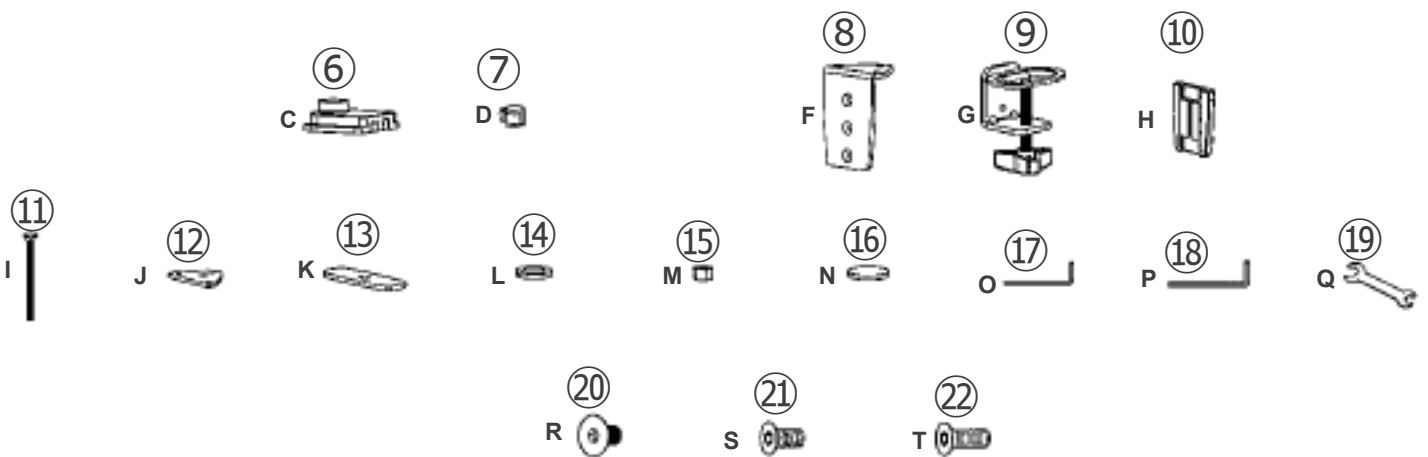
- ① Base
- ② Colonna
- ③ Braccio orizzontale
- ④ Anello prevenzione discesa
- ⑤ Messa a fuoco
- ⑥ Brugole

3.14 SZ-STL5 / SZ-STL5A6



- | | |
|--|------------------------------|
| ① Colonna | ⑩ Piastra di fissaggio (J) |
| ② Braccio orizzontale | ⑪ Piastra di fissaggio (K) |
| ③ Supporto testa / sistema di messa a fuoco | ⑫ Rondella (L) |
| • SZ-STL5: macro | ⑬ Dado (M) |
| • SZ-STL5A6: macro/micro | ⑭ Piedini in gomma (4pz) (N) |
| ④ Pinza da tavolo (C) | ⑮ Brugola 4mm (O) |
| ⑤ Anello prevenzione discesa / fermacavi (D) | ⑯ Brugola 6mm (P) |
| ⑥ Supporto pinza (F) | ⑰ Chiave (Q) |
| ⑦ Pinza (G) | ⑱ Viti M6x10 (2pz) (R) |
| ⑧ Coperchio in plastica (H) | ⑲ Viti M6x12 (3pz) (S) |
| ⑨ Vite per montaggio con foro passante (I) | ⑳ Viti M6x16 (3pz) (T) |

3.15 SZ-STL5LED



- | | |
|---|------------------------------|
| ① Colonna | ⑫ Piastra di fissaggio (J) |
| ② Braccio orizzontale | ⑬ Piastra di fissaggio (K) |
| ③ Supporto testa / sistema di messa a fuoco | ⑭ Rondella (L) |
| ④ Bracci autoportanti LED | ⑮ Dado (M) |
| ⑤ Scatola controllo luminosità con alimentatore | ⑯ Piedini in gomma (4pz) (N) |
| ⑥ Pinza da tavolo (C) | ⑰ Brugola 4mm (O) |
| ⑦ Anello prevenzione discesa / fermacavi (D) | ⑱ Brugola 6mm (P) |
| ⑧ Supporto pinza (F) | ⑲ Chiave (Q) |
| ⑨ Pinza (G) | ⑳ Viti M6x10 (2pz) (R) |
| ⑩ Coperchio in plastica (H) | ㉑ Viti M6x12 (3pz) (S) |
| ⑪ Vite per montaggio con foro passante (I) | ㉒ Viti M6x16 (3pz) (T) |

4. Disimballaggio

Il microscopio è riposto in un imballo di polistirolo espanso. Rimuovere il nastro adesivo dal collo ed aprire la parte superiore dell'imballo. Fare attenzione a non far cadere le parti ottiche (obiettivi e oculari) nell'estrarre il microscopio dalla scatola per evitare che vengano danneggiati. Utilizzare entrambe le mani (una intorno allo stativo e una alla base), sfilare il microscopio dal contenitore e appoggiarlo su un piano stabile.



Evitare di toccare le superfici ottiche come lenti, filtri o vetri. Tracce di grasso o altri residui possono ridurre la qualità visiva dell'immagine finale e corrodere la superficie delle ottiche in breve tempo.

5. Uso previsto

Modelli standard

Solo per applicazioni di ricerca ed usi didattici. Non indicato per utilizzo diagnostico e terapeutico umano e veterinario.

Modelli IVD

Anche per uso diagnostico, finalizzato ad ottenere informazioni sulla situazione fisiologica o patologica del soggetto.

6. Simboli

La seguente tabella riporta i simboli utilizzati in questo manuale.



PERICOLO

Questo simbolo indica un rischio potenziale ed avverte di procedere con cautela.



SHOCK ELETTRICO

Questo simbolo indica un rischio di shock elettrico.

7. Descrizione dello strumento

7.1 Diagramma di Sistema



7.2 SZX-B / SZX-T / SZX-BA / SZX-TA



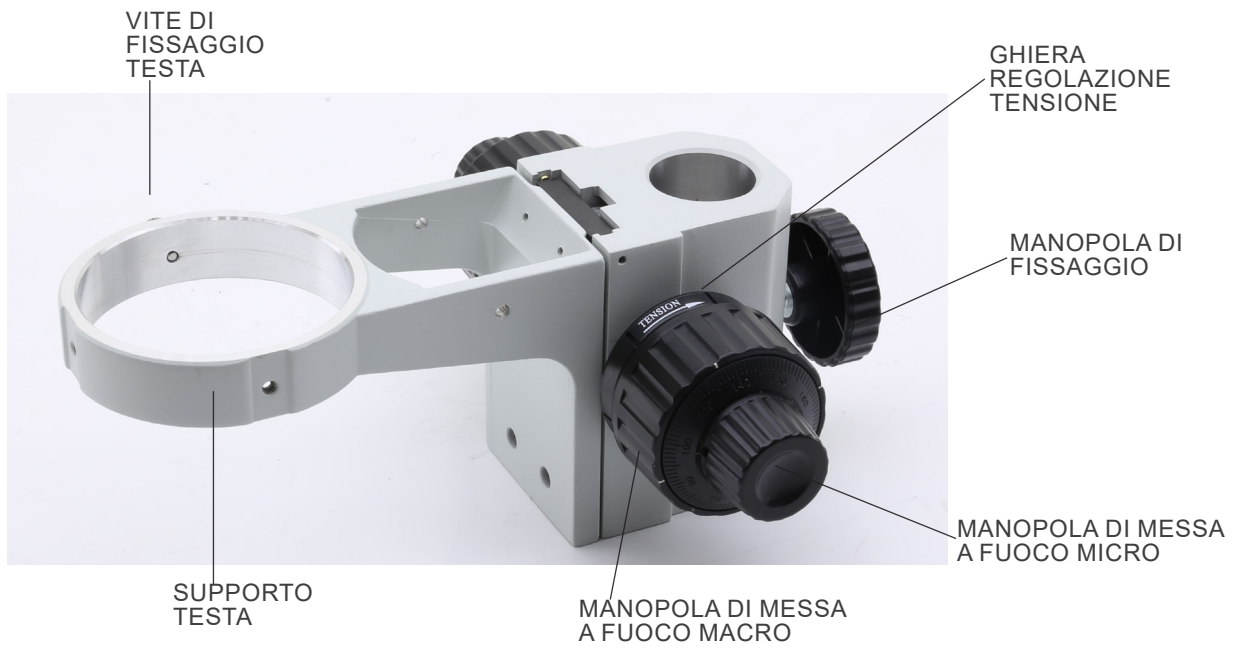
7.3 SZO-B / SZO-T



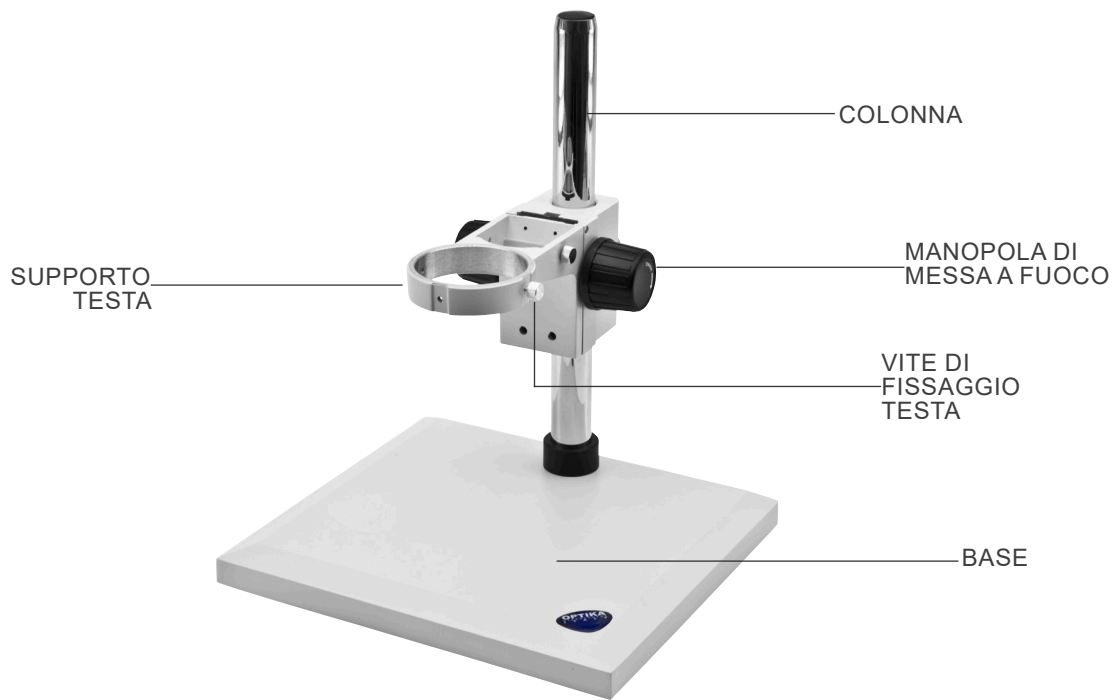
7.4 SZ-A1



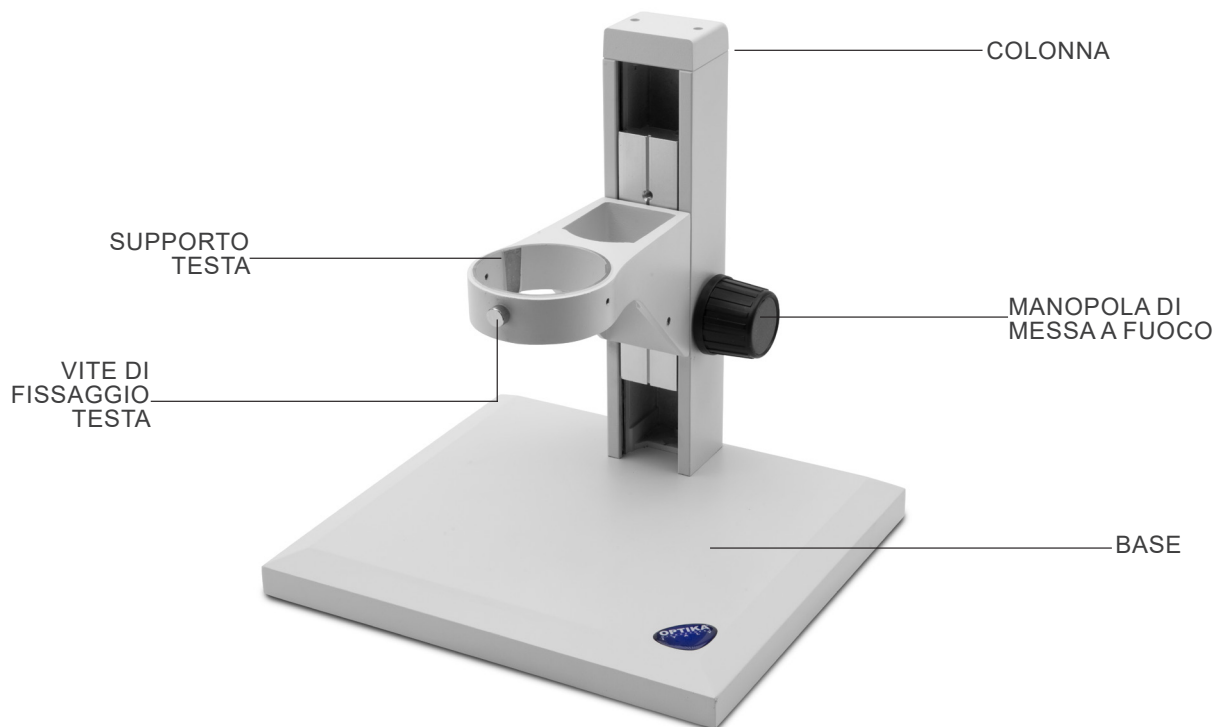
7.5 SZ-A6



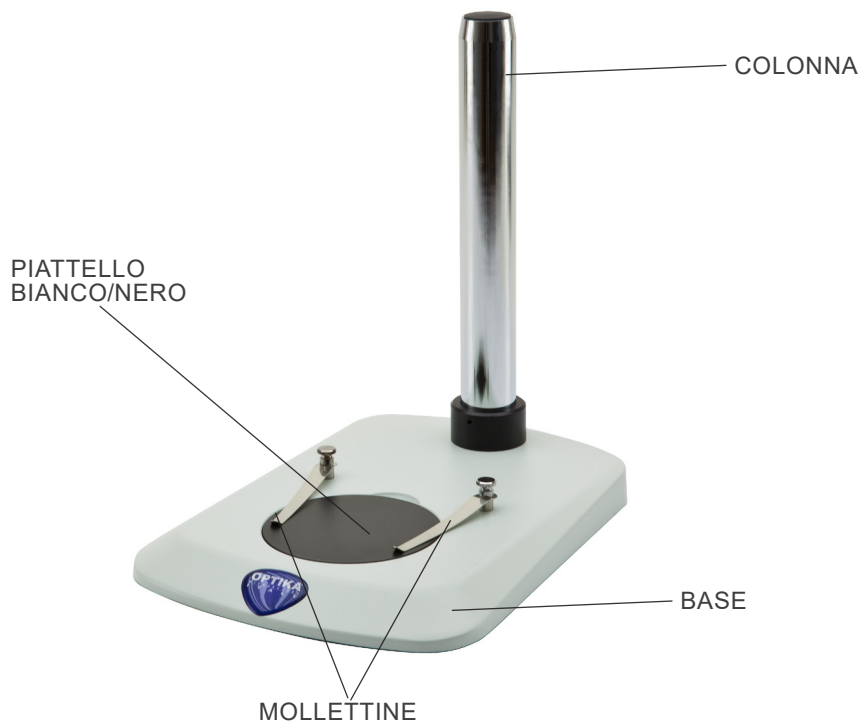
7.6 ST-150



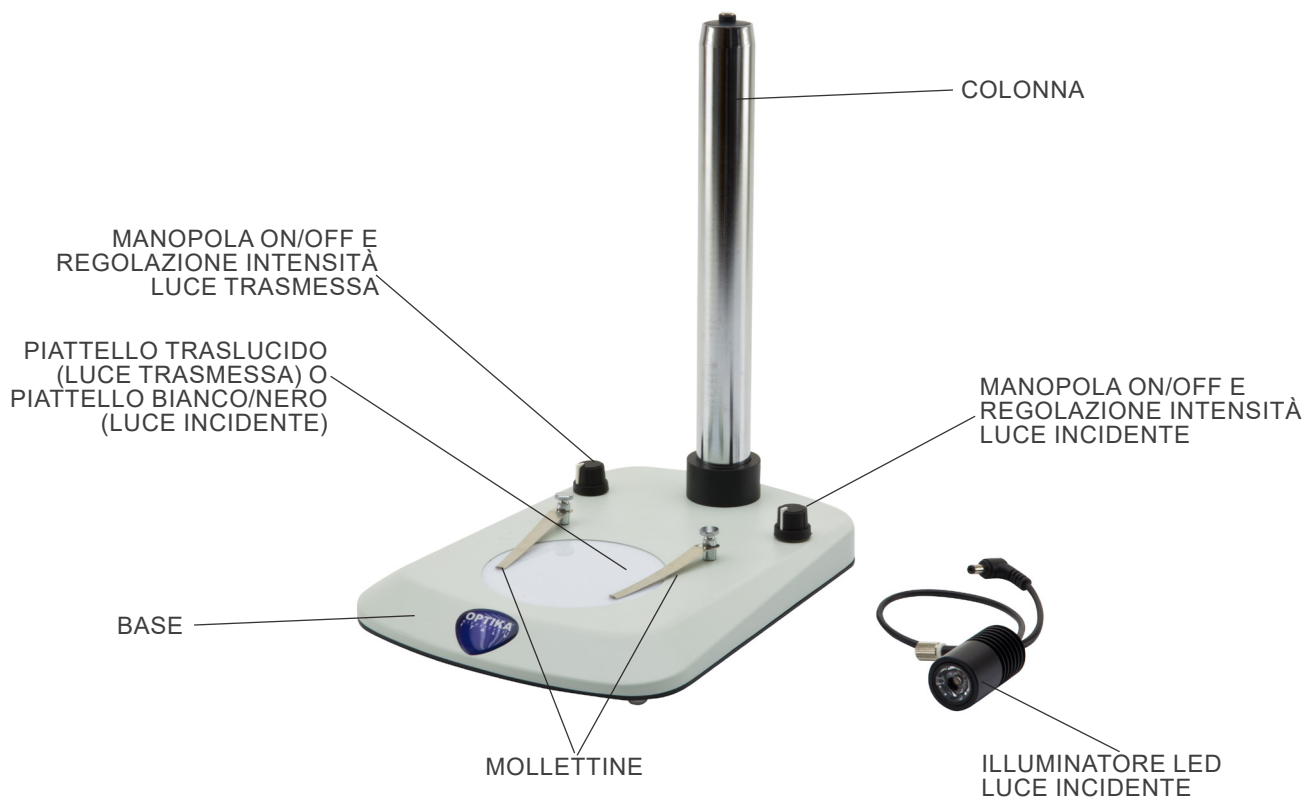
7.7 ST-152



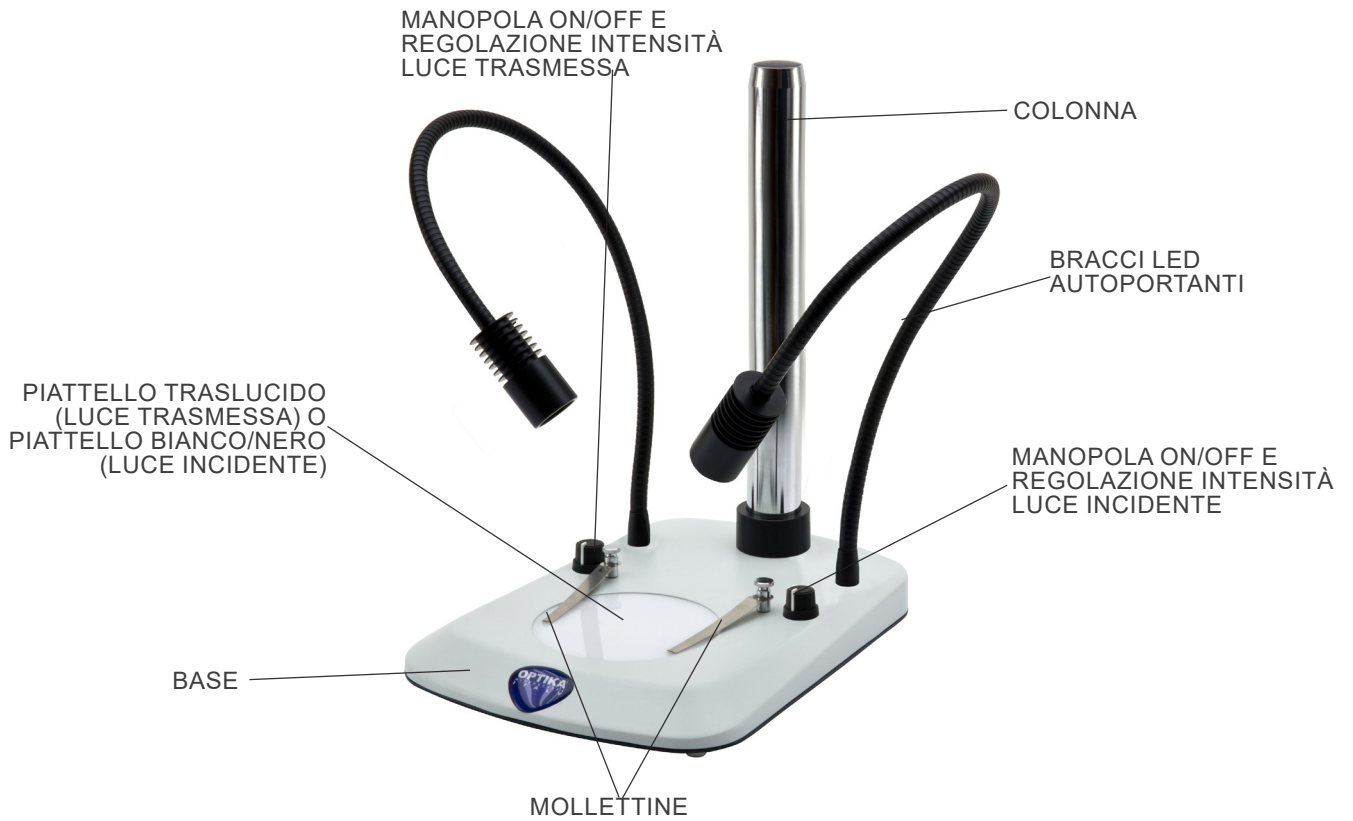
7.8 SZ-ST1



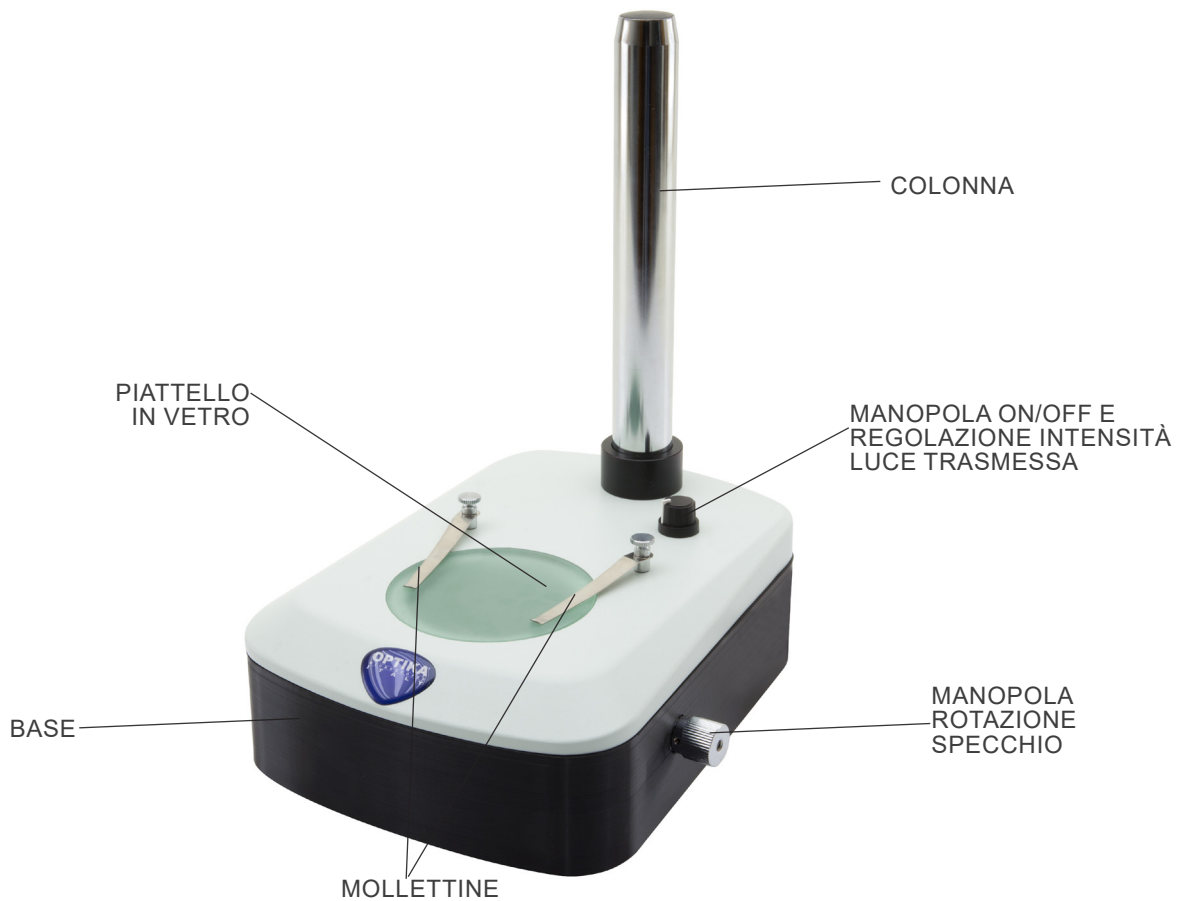
7.9 SZ-ST2 / SZ-ST3



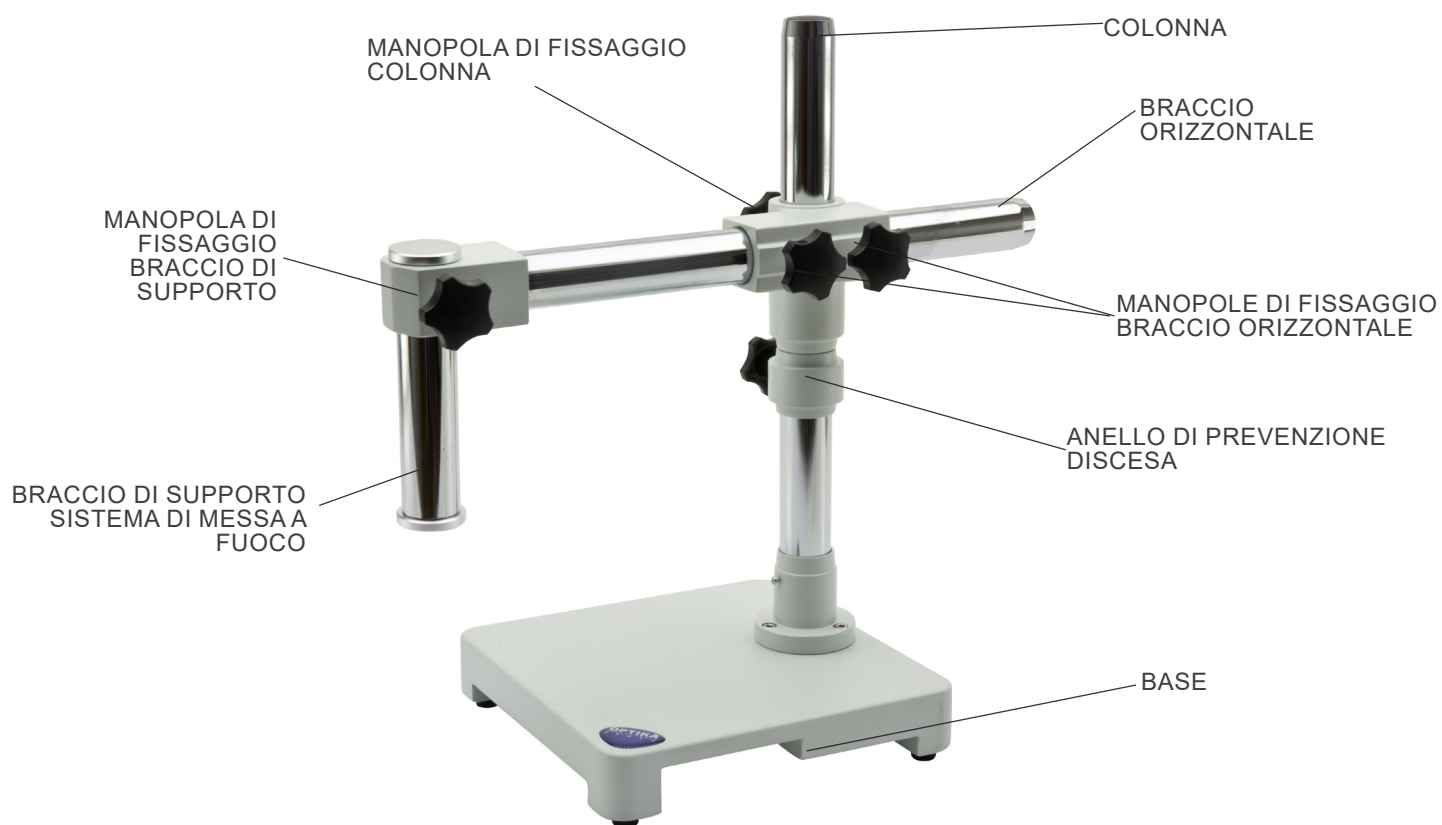
7.10 SZ-ST7 / SZ-ST8



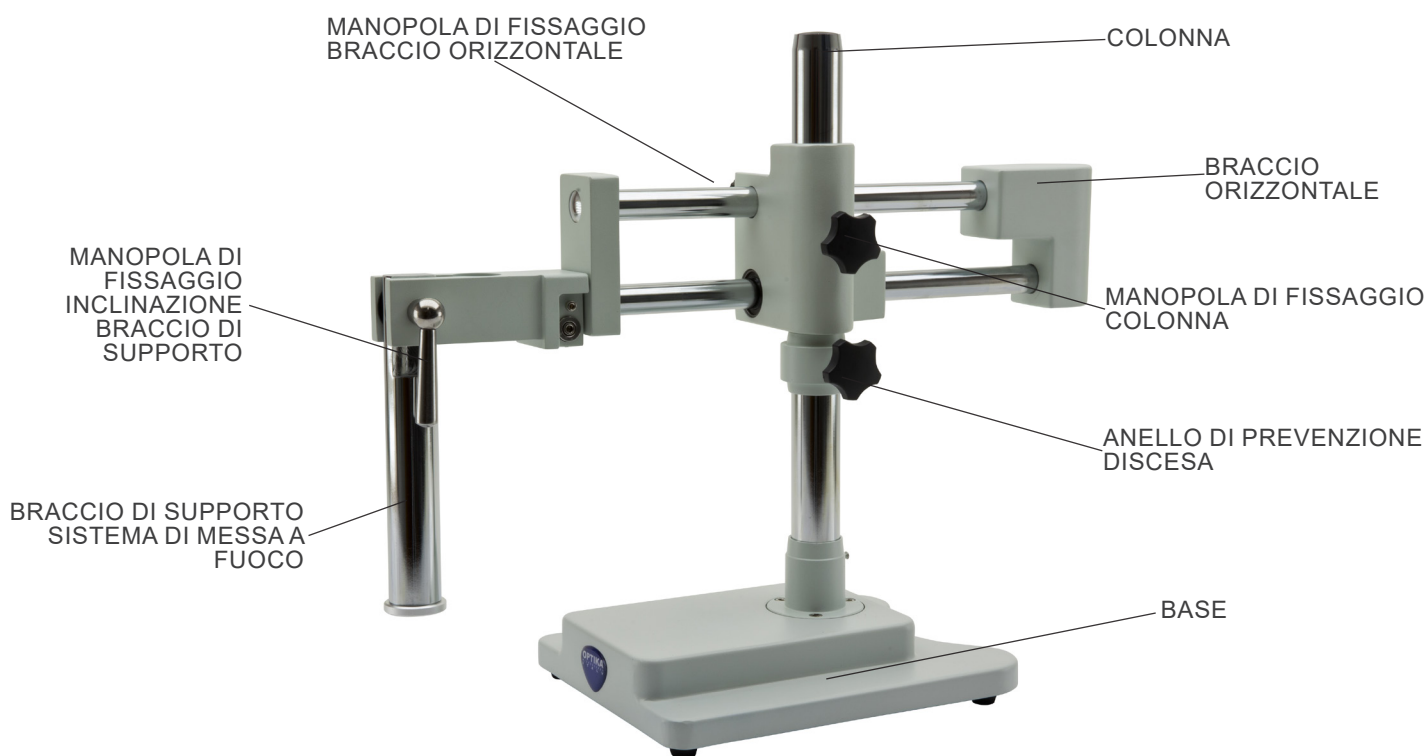
7.11 SZ-OBL



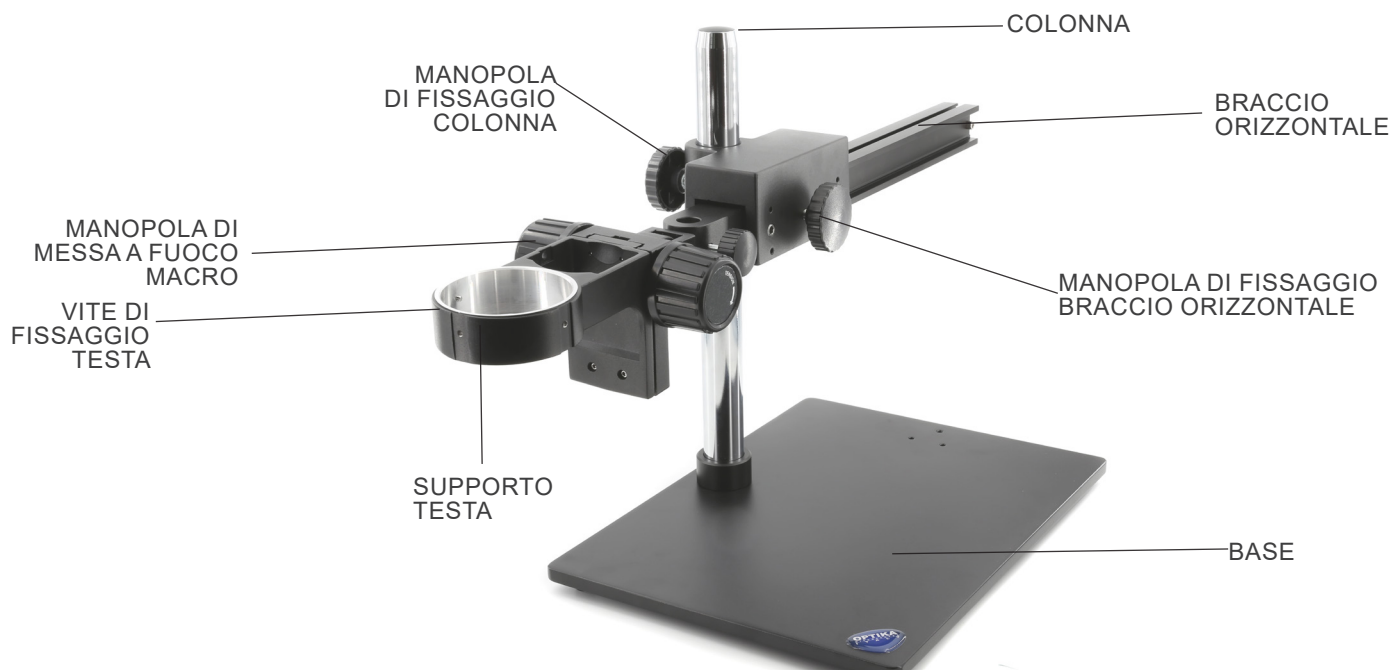
7.12 SZ-STL1



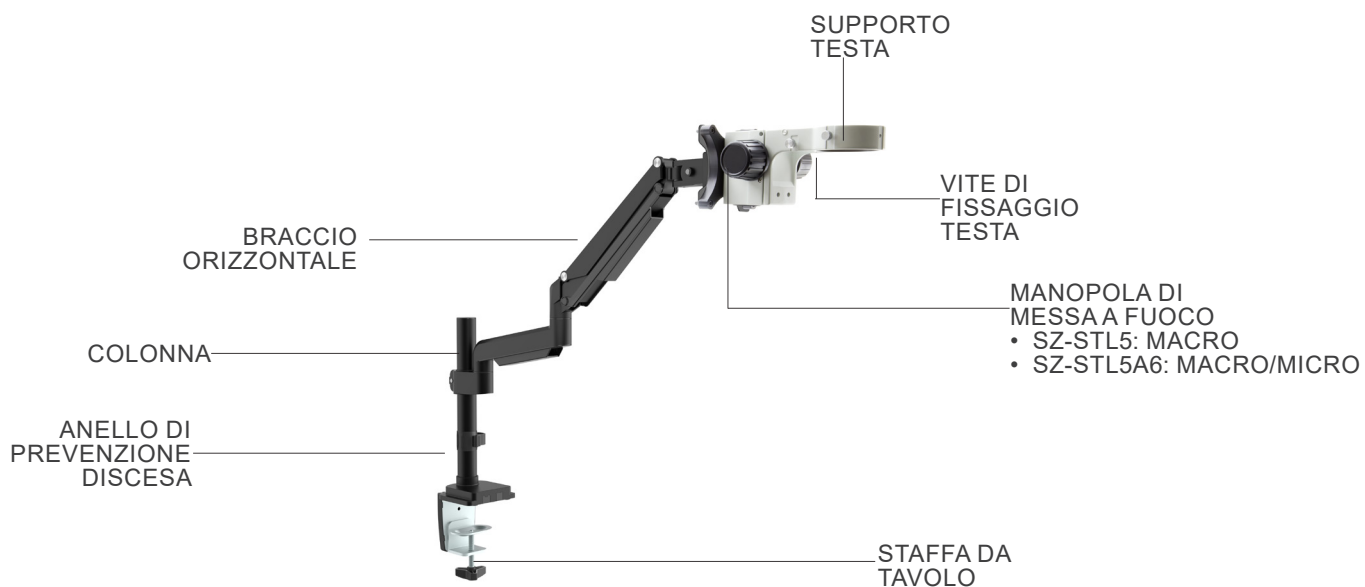
7.13 SZ-STL2



7.14 SZ-STL3X



7.15 SZ-STL5 / SZ-STLA6



7.16 SZ-STL5LED



8. Assemblaggio

8.1 SZ-A1 / SZ-A6

- Il montaggio dei sistemi di messa a fuoco SZ-A1 e SZ-A6 si applica a tutte le basi tranne ST-152, SZ-STL1, SZ-STL2, SZ-STLX e SZ-STL5. Per il montaggio su queste basi si rimanda al paragrafo specifico.
1. Inserire il sistema di messa a fuoco sulla colonna e, una volta raggiunta l'altezza desiderata, serrare la manopola di bloccaggio ① posta nella parte posteriore del sistema di messa a fuoco. (Fig. 1)



8.2 SZ-ST1 / ST-150

1. Rimuovere la base dal suo imballo e posizionarla su una superficie piana. La base arriva già montata dalla fabbrica e non necessita di ulteriore procedura di montaggio, se non quella del montaggio del sistema di messa a fuoco.

8.3 ST-152

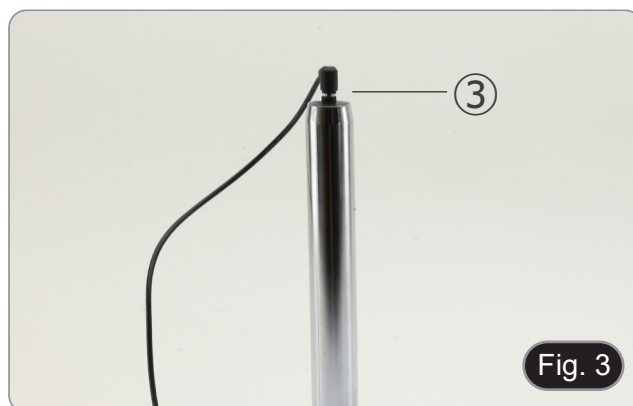
1. Rimuovere la base dal suo imballo e posizionarla su una superficie piana. La base arriva già montata dalla fabbrica e non necessita di ulteriore procedura di montaggio.

8.4 SZ-ST2 / SZ-ST3

1. Installare il faretto LED per luce incidente come mostrato in Fig. 2.
- Allentando la vite di fissaggio ② è possibile modificare l'angolo di inclinazione del faretto per ottimizzare l'illuminazione sul campione.



2. Inserire lo spinotto del cavo nel connettore posto sulla sommità della colonna ③. (Fig. 3)



3. Collegare lo spinotto dell'alimentatore al connettore posto nella parte posteriore della base del microscopio. (Fig. 4)



8.5 SZ-ST7 / SZ-ST8 / SZ-OBL

1. Rimuovere la base dal suo imballo e posizionarla su una superficie piana. La base arriva già montata dalla fabbrica e non necessita di ulteriore procedura di montaggio, se non quella del montaggio del sistema di messa a fuoco.
2. Collegare lo spinotto dell'alimentatore al connettore posto nella parte posteriore della base del microscopio. (Fig. 4)

8.6 SZ-STL1

1. Avvitare la colonna alla base. (Fig. 5)



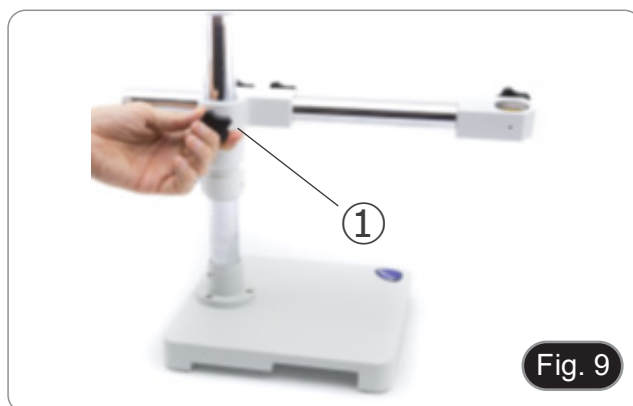
2. Avvitare le viti per bloccare la colonna. (Fig. 6)



3. Inserire l'anello di prevenzione discesa e fissarlo all'altezza desiderata avvitando la manopola di fissaggio. (Fig. 7)



4. Inserire il braccio orizzontale e bloccarlo con la vite di fissaggio ①. (Fig. 8 - 9)



5. Installare il supporto per la testa. Svitare la manopola di blocco ③ ed inserire dall'alto il braccio per il supporto della messa a fuoco ② dall'alto nel foro del braccio orizzontale. (Fig. 10)



6. Una volta inserito a fondo bloccare la vite di fissaggio ④.
(Fig. 11)



7. Inserire dal basso il sistema di messa a fuoco, serrare la vite di fissaggio ⑤ ed avvitare nuovamente la manopola di blocco ③ dal basso. (Fig. 12-13)



8.7 SZ-STL2

1. Avvitare la colonna alla base. (Fig. 14)



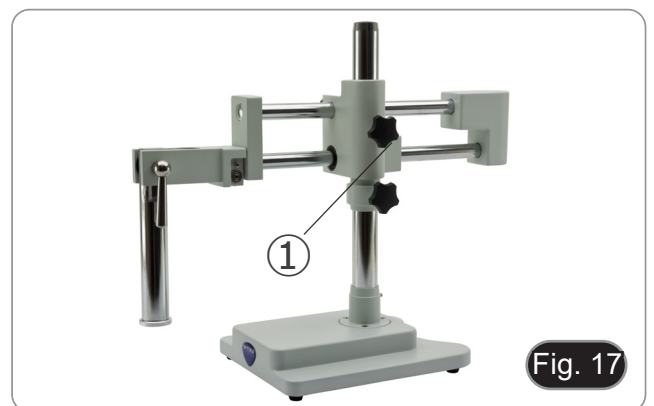
2. Avvitare le viti per bloccare la colonna. (Fig. 15)



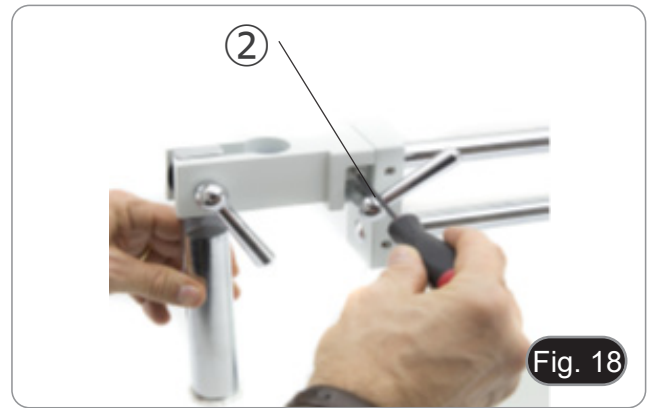
3. Inserire l'anello di prevenzione discesa e fissarlo all'altezza desiderata avvitando la manopola di fissaggio. (Fig. 16)



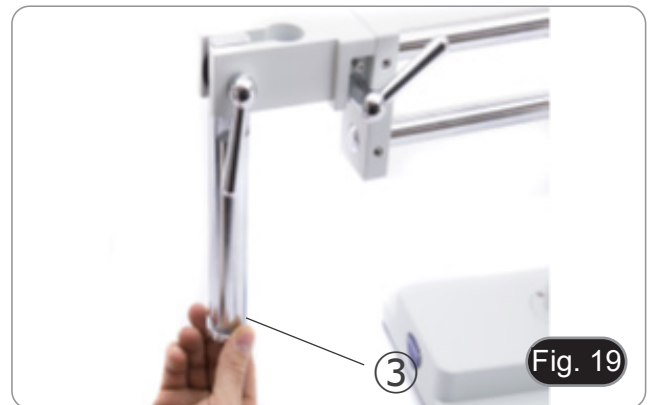
4. Inserire il braccio orizzontale e bloccarlo con la vite di fissaggio ① (Fig. 17)



5. Per una maggiore sicurezza, serrare la vite di fissaggio ② con la brugola in dotazione. (Fig. 18)

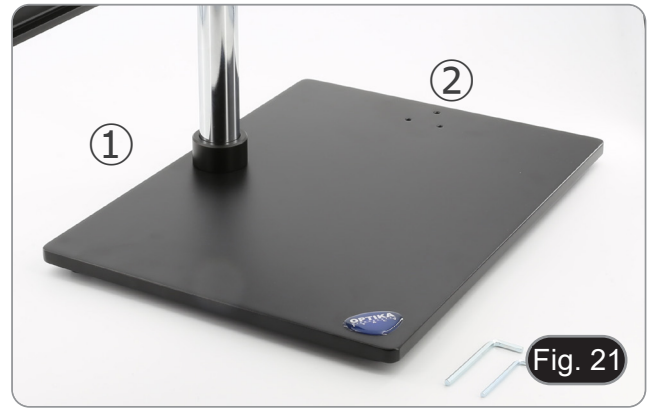


6. Installare il sistema di messa a fuoco. Svitare la manopola di blocco ③ ed inserire il supporto ④ dal basso nella colonna. Al termine riavvitare la manopola di blocco ③. (Fig. 19-20)



8.8 SZ-STL3X

1. Inserire le tre viti di fissaggio della colonna da sotto la base e, utilizzando la chiave a brugola da 3 mm in dotazione, serrare le viti.
- A seconda delle esigenze dell'operatore, è possibile fissare la colonna sul lato lungo ① o sul lato corto ② della base. (Fig. 21)



2. Inserire l'anello di prevenzione discesa e fissarlo all'altezza desiderata avvitando la manopola di fissaggio. (Fig. 22)



3. Inserire il braccio orizzontale e bloccarlo con la vite di fissaggio ③. (Fig. 23)

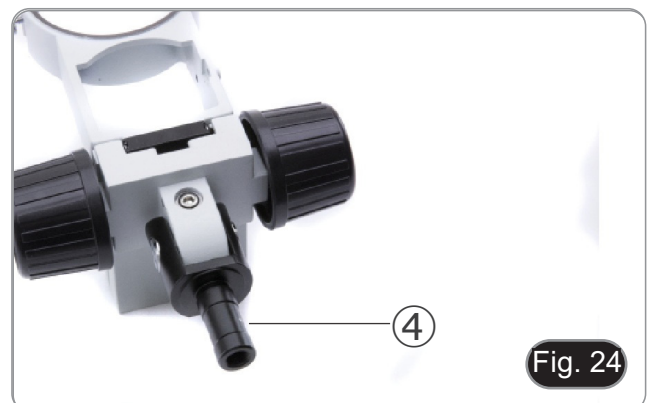


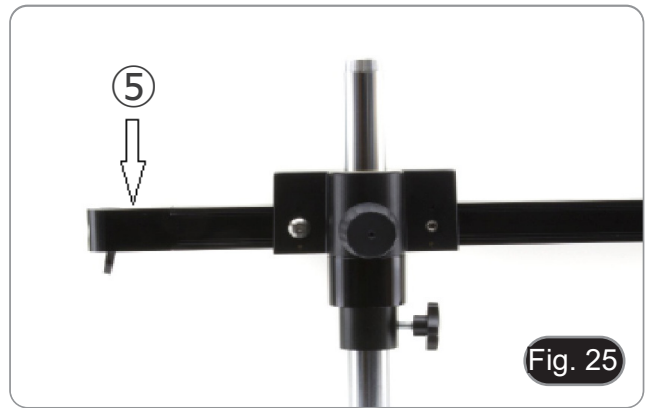
4. Il supporto testa può essere installato in diversi modi a seconda delle specifiche esigenze dell'utente.

Modo di installazione n° 1: (Fig. 24-26)

Inserire la parte posteriore del supporto testa (parte rotonda nera) ④ (Fig. 24) dall'alto nel foro del braccio orizzontale ⑤ (Fig. 25) e bloccarlo con la vite di fissaggio ⑥. (Fig. 26)

- **Questa modalità consente l'installazione di teste pesanti (o con telecamere pesanti installate sopra la testa).**





Modo di installazione n° 2: (Fig. 27)

Inserire la parte posteriore del supporto testa (parte rotonda nera) ④ (Fig. 24) nel foro all'estremità del braccio orizzontale e serrare la manopola ⑥. (Fig. 27)



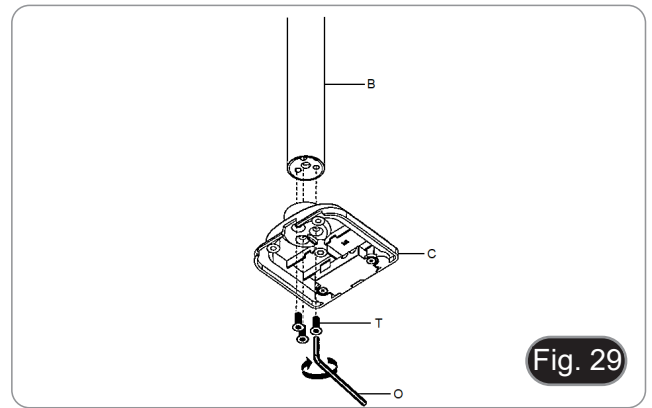
- Questa modalità permette di angolare la testa. (Fig. 28)



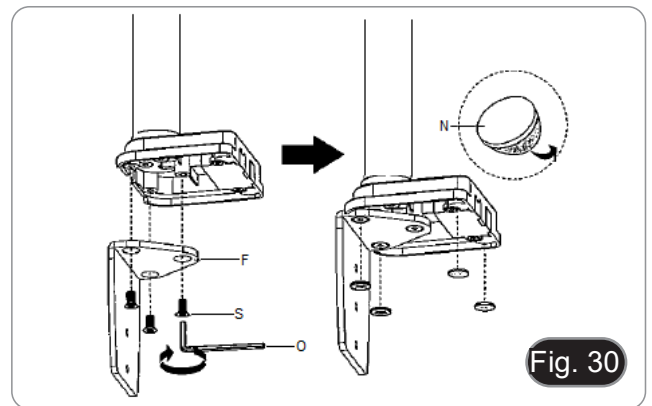
8.9 SZ-STL5 / SZ-STLA6 / SZ-STL5LED

8.9.1 Fissaggio al tavolo con morsetto

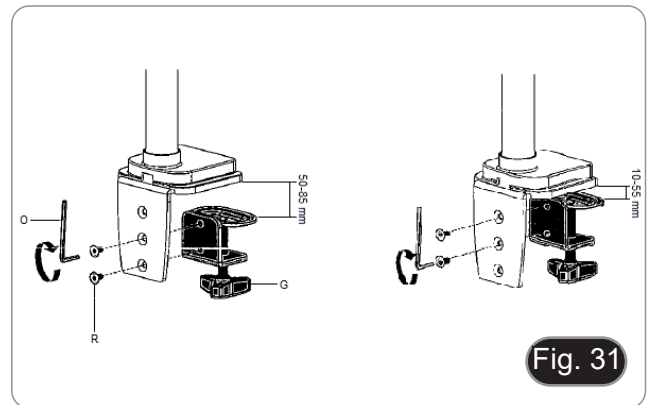
1. Unire la colonna (B) al supporto da tavolo (C) usando le tre viti (T). (Fig. 29)



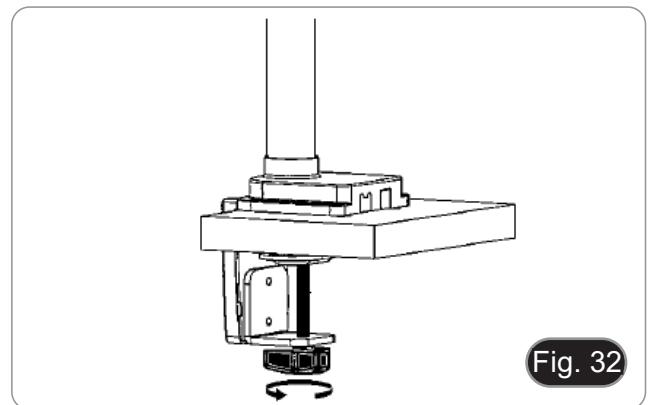
2. Unire il supporto del morsetto (F) al supporto da tavolo (C) usando le tre viti (S). (Fig. 30)
3. Applicare i piedini in gomma (N) al supporto da tavolo.



4. Unire il morsetto (G) al supporto del morsetto (F) usando le due viti (R). (Fig. 31)
- **NOTA:** a seconda dello spessore del tavolo, il morsetto (G) può essere montato in due diverse posizioni.



5. Applicare il coperchio di plastica (H) al supporto del morsetto, quindi montare il tutto al tavolo serrando la manopola di fissaggio. (Fig. 32)
- **NOTA:** il coperchio di plastica (H) serve anche come contenitore per le chiavi a brugola utilizzate per il montaggio e la regolazione della tensione delle varie parti.



6. Inserire l'anello di prevenzione discesa (D) nella colonna.
7. Inserire il braccio flessibile (A) e serrare la vite di fissaggio. (Fig. 33)

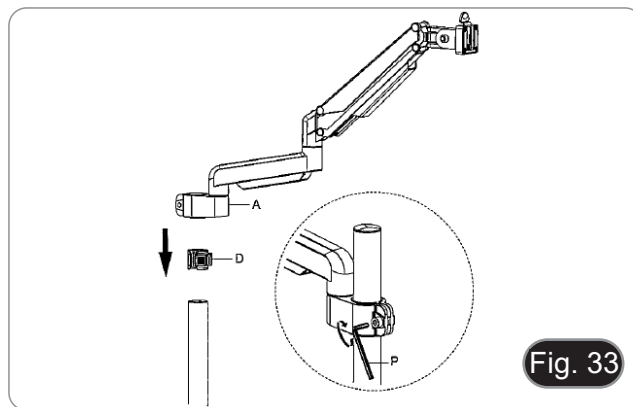


Fig. 33

8.9.2 Fissaggio al tavolo con foro passante

1. Praticare un foro nel tavolo dove si intende posizionare lo stativo.
2. Ripetere la procedura descritta al passo 1) del paragrafo 8.9.1.
3. Inserire la vite (I) nella piastra di fissaggio (J).
4. Serrare la piastra di fissaggio usando le tre viti (S). (Fig. 34)
5. Applicare i piedini in gomma (N) al supporto da tavolo.

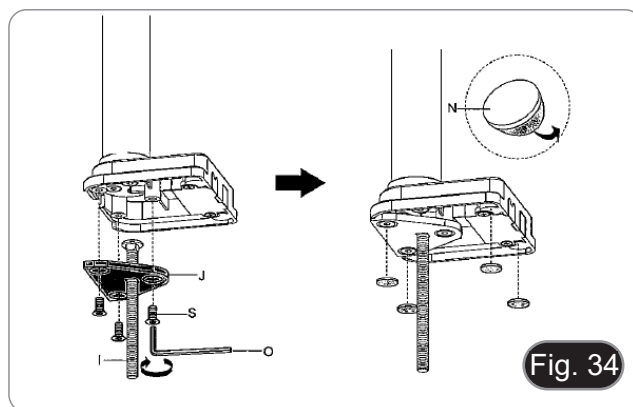


Fig. 34

6. Inserire la vite (I) nel foro del tavolo.
7. Fissare il tutto usando la piastra di fissaggio (K), la rondella (L) ed il dado (M).
8. Serrare il dado usando la chiave (Q). (Fig. 35)
9. Ripetere la procedura descritta ai punti 6) e 7) del paragrafo 8.9.1 per installare il braccio flessibile.

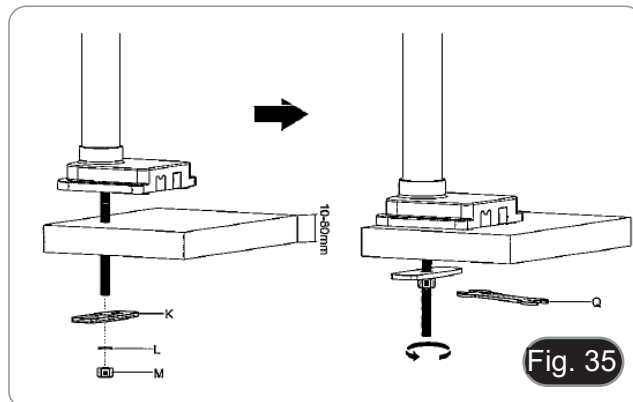


Fig. 35

10. Montare il gruppo di messa a fuoco sul braccio, utilizzando le viti e la chiave a brugola in dotazione. (Fig. 36)

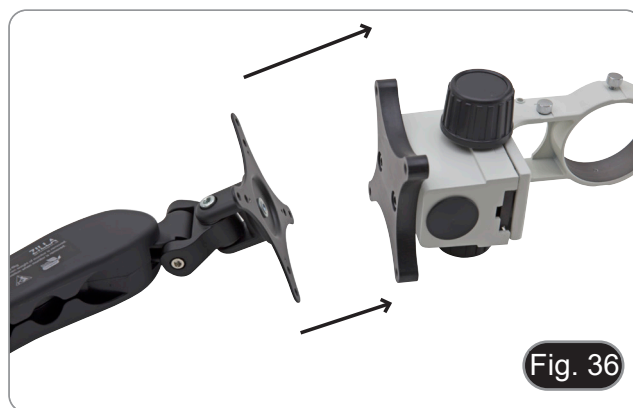


Fig. 36

8.10 Installare la testa (tutti i modelli)

Inserire la testa e fissare la vite di bloccaggio. (Fig. 37)



8.11 Installare gli oculari (tutti i modelli)

1. Rimuovere i tappi antipolvere dai portaoculari ed inserire gli oculari. (Fig. 38)
2. Bloccare gli oculari serrando la vitina di bloccaggio ①.

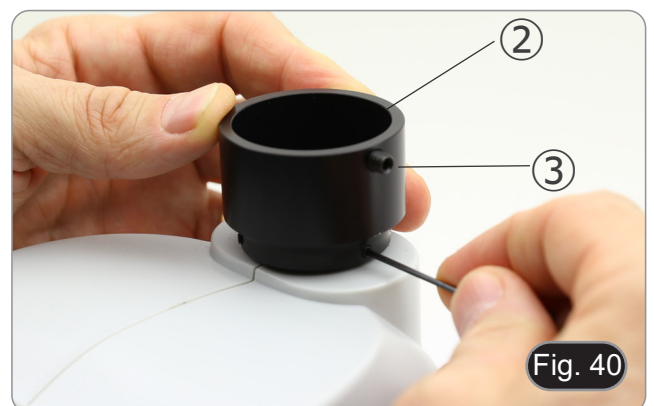


8.12 Installare l'uscita foto (SZX-T / TA)

1. Allentare le viti di fissaggio ① dell'uscita foto in dotazione e rimuovere l'uscita foto esistente. (Fig. 39)



2. Inserire l'anello dell'uscita foto ② facendo attenzione a lasciare la vite di fissaggio dell'adattatore fotografico ③ rivolta verso destra. (Fig. 43)
3. Stringere le viti di fissaggio ①. (Fig. 40)



9. Uso del microscopio

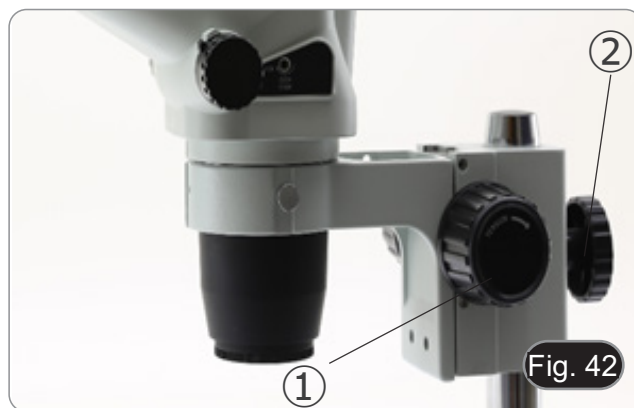
9.1 Regolazione della distanza interpupillare

1. Afferrare con entrambe le mani i portaoculari destro e sinistro e regolare la distanza interpupillare spostando i tubi fino a che si osserva una sola immagine. (Fig. 41)
- Se si osservano due immagini la distanza è troppo elevata.
 - Se si osservano due cerchi sovrapposti, la distanza è troppo bassa.



9.2 Messa a fuoco

1. Mettere il campione da osservare sul piattello e mettere a fuoco usando le manopole di messa a fuoco sullo stativo ①.
- Se necessario, regolare l'altezza del corpo del microscopio lungo la colonna verticale.
 - Bloccare la vite di blocco ② dopo avere effettuato la regolazione in altezza. (Fig. 42)

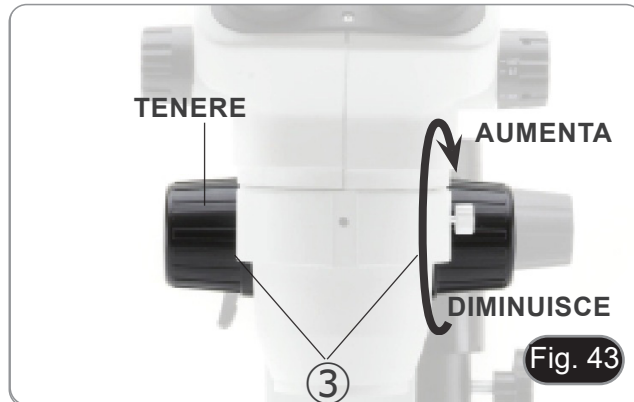


9.3 Regolazione della tensione delle manopole di messa a fuoco

- Questa regolazione consente di aumentare o diminuire la tensione delle manopole di messa a fuoco, evitando una discesa indesiderata del microscopio sotto il suo stesso peso. Regolare la tensione appena al di sopra del punto di stabilità del fuoco.

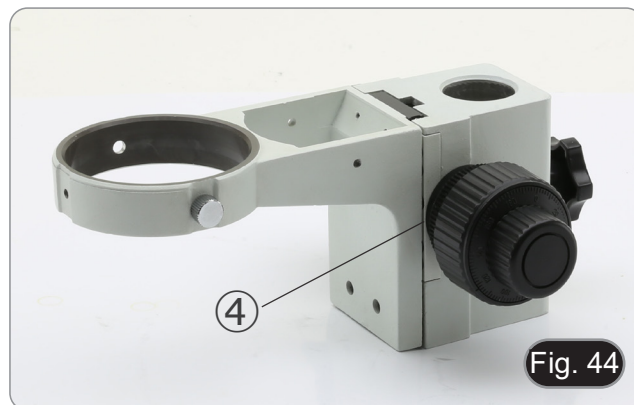
9.3.1 SZ-A1

1. Afferrare le manopole ③ con entrambe le mani e, tenendo ferma la manopola di destra ruotare la manopola di sinistra.
- La tensione aumenta o diminuisce in funzione del senso di rotazione della manopola di sinistra. (Fig. 43)



9.3.2 SZ-A6

1. Ruotare in senso orario l'anello di regolazione ④ fino ad ottenere la tensione desiderata.
- La rotazione in senso antiorario provoca una diminuzione della tensione, con conseguente perdita del fuoco. (Fig. 44)



9.4 Compensazione diottrica

- **Questa compensazione consente ai portatori di occhiali di adattare il microscopio alla propria vista ed usare il microscopio senza occhiali.**

1. Portare lo zoom al minimo ingrandimento ① e mettere a fuoco con la manopola di messa a fuoco ②. (Fig. 45)
2. Portare lo zoom a massimo ingrandimento e rimettere a fuoco.
3. Tornare al minimo ingrandimento: il campione non sarà a fuoco.



4. Regolare l'anello di regolazione diottrica dell'oculare destro ③ (Fig. 46) fino a che l'immagine è a fuoco. Ripetere la procedura per l'oculare sinistro.
5. Ora verificare la messa a fuoco del campione lungo l'intero range di zoom. Il sistema ora è perfettamente parfocale (il fuoco è mantenuto durante il cambio di ingrandimento).



9.5 Ingrandimento

1. Selezionare l'ingrandimento desiderato mediante il selettore zoom ①. (Fig. 47)
- Se necessario, usare oculari diversi e/o un'adeguata lente addizionale per ottenere l'ingrandimento voluto.
 - **Solo per serie SZO:** Il corpo del microscopio della è dotato di una funzione "clic stop" che consente di ottenere un ingrandimento preciso (Fig. 47). Il clic stop può essere attivato o disattivato inserendo la brugola in dotazione nel foro posto sulla parte destra del microscopio.



9.6 Uso di lenti addizionali

1. Avvitare la lente addizionale al corpo del microscopio. (Fig. 48)
- Ogni lente ha una specifica Distanza di Lavoro.
 - La corsa del supporto di messa a fuoco non può compensare le diverse distanza di lavoro delle varie lenti addizionali.
 - Nel caso in cui il supporto di messa a fuoco non riuscisse a mettere a fuoco il campione, si deve alzare o abbassare tutto il corpo del microscopio.

L'ingrandimento totale si calcola in questo modo:
 Ingrandimento oculare * Ingrandimento Zoom * Ingrandimento lente addizionale.



Serie SZX (0.67x - 4.5x / F.N. 22 mm)

Oculare	10x		15x		20x		25x	
Indice di campo (mm)	22		16		12		9	
Obiettivo	Ingr. Totale	Campo visivo (mm)	Ingr. Totale	Campo visivo (mm)	Ingr. Totale	Campo visivo (mm)	Ingr. Totale	Campo visivo (mm)
0.3X	2.01X-13.5X	109.45-16.30	3.02X-20.25X	79.60-11.85	4.02X-27X	59.70-8.89	5.03X-33.75X	44.78-6.67
0.5X	3.35X-22.5X	65.67-9.78	5.03X-33.75X	47.76-7.11	6.7X-45X	35.82-5.33	8.38X-56.25X	26.87-4.00
0.75X	5.03X-33.75X	43.78-6.52	7.54X-50.63X	31.84-4.74	10.05X-67.5X	23.88-3.56	12.56X-84.37X	17.91-2.67
1X	6.7X-45X	32.84-4.89	10.05X-67.5X	23.88-3.56	13.4X-90X	17.91-2.67	16.75X-112.5X	13.43-2.00
1.5X	10.05X-67.5X	21.89-3.26	15.08X-101.25X	15.92-2.37	20.1X-135X	11.94-1.78	25.13X-168.75X	8.96-1.33
2X	13.4X-90X	16.42-2.44	20.1X-135X	11.94-1.78	26.8X-180X	8.96-1.33	33.5X-225X	6.72-1.00

Serie SZX-A (0.65x - 5.5x / F.N. 23 mm)

Oculare	10x		15x		20x		25x	
Indice di campo (mm)	23		16		12		9	
Obiettivo	Ingr. Totale	Campo visivo (mm)	Ingr. Totale	Campo visivo (mm)	Ingr. Totale	Campo visivo (mm)	Ingr. Totale	Campo visivo (mm)
0.3X	1.95X-16.5X	117.95-13.94	2.93X-24.75X	82.05-9.70	3.9X-33X	61.54-7.27	4.88x-41.25x	46.15-5.45
0.5X	3.25X-27.5X	70.77-8.36	4.88X-41.25X	49.23-5.82	6.5X-55X	36.92-4.36	8.13x-68.75X	27.69-3.27
0.75X	4.88X-41.25X	47.18-5.58	7.31X- 61.88X	32.82-3.88	9.75X-82.5X	24.62-2.91	12.19x-103.13X	18.46-2.18
1X	6.5X-55X	35.38-4.18	9.75X-82.5X	24.62-2.91	13X-110X	18.46-2.18	16.25X-137.5X	13.85-1.64
1.5X	9.75X-82.5X	23.59-2.79	14.63X-123.75X	16.41-1.94	19.5X-165X	12.31-1.45	24.38X-206.25X	9.23-1.09
2X	13X-110X	17.69-2.09	19.5X-165X	12.31-1.45	26X-220X	9.23-1.09	32.5X-275X	6.92-0.82

Serie SZO (0.67x - 4.5x / F.N. 23 mm)

Oculare	10x		15x		20x		25x	
Indice di campo (mm)	23		16		12		9	
Obiettivo	Ingr. Totale	Campo visivo (mm)	Ingr. Totale	Campo visivo (mm)	Ingr. Totale	Campo visivo (mm)	Ingr. Totale	Campo visivo (mm)
0.3X	2.01X-13.5X	114.43-17.04	3.02X-20.25X	79.60-11.85	4.02X-27X	59.70 -8.89	5.03X-33.75X	44.78-6.67
0.5X	3.35X-22.5X	68.66-10.22	5.03X-33.75X	47.76-7.11	6.7X-45X	35.82-5.33	8.38X-56.25X	26.87-4.00
0.75X	5.03X-33.75X	45.77-6.81	7.54X- 50.63X	31.84-4.74	10.05X-67.5X	23.88-3.56	12.56X-84.38X	17.91-2.67
1X	6.7X-45X	34.33-5.11	10.05X-67.5X	23.88-3.56	13.4X-90X	17.91-2.67	16.75X-112.5X	13.43-2.00
1.5X	10.05X-67.5X	22.89-3.41	15.08X-101.25X	15.92-2.37	20.1X-135X	11.94-1.78	25.13X-168.75X	8.96-1.33
2X	13.4X-90X	17.16-2.56	20.1X-135X	11.94-1.78	26.8X-180X	8.96-1.33	33.5X-225X	6.72-1.00

9.7 Uso delle lenti addizionali 0.3X-0.5X

Le lenti addizionali 0.3X e 0.5X hanno una elevata distanza di lavoro e quindi la corsa totale della colonna di messa a fuoco non può compensare.

Per far funzionare correttamente gli obiettivi addizionali 0.3X e 0.5X, procedere come segue:

1. Avvitare la lente addizionale come descritto al paragrafo 9.6.
2. Rimuovere il corpo del microscopio dal supporto.
3. Installare il distanziatore ① nel supporto testa ed avvitare la vite di fissaggio ②. (Fig. 49)
4. Rimontare il corpo del microscopio sul distanziatore ed avvitare la vite di fissaggio ③. (Fig. 50)
5. Iniziare a lavorare normalmente.



9.8 Piattello bianco/nero (SZ-ST1 / 2 / 3 / 7 / 8)

- È possibile usare un disco di contrasto bianco/nero per aumentare il contrasto dell'immagine quando si lavora in luce incidente.
1. Rimuovere il disco opalino trasparente usato in luce trasmessa.
 2. Inserire il disco bianco/nero con il lato desiderato rivolto verso l'alto. (Fig. 51)
- Se si osservano campioni chiari, posizionare il disco con la parte nera rivolta verso l'alto.



9.9 Uso dell'illuminazione (SZ-ST2 / 3 / 7 / 8)

1. Ruotare la manopola della luce trasmessa ② per accendere/ spegnere o regolare l'intensità luminosa del LED trasmessa. (Fig. 52)
 2. Ruotare la manopola della luce incidente ① per accendere/ spegnere o regolare l'intensità luminosa del LED per luce incidente.
- È possibile usare entrambi gli illuminatori simultaneamente.



Solo per SZ-ST7 / SZ-ST8:

- Inclinare e posizionare i bracci autoportanti della base ③ per illuminare in maniera ottimale il campione. (Fig. 53)
- I bracci possono essere sistemati singolarmente nella posizione desiderata.



9.10 Uso dell'illuminazione (SZ-OBL)

1. Ruotare la manopola della luce trasmessa ① per accendere/ spegnere o regolare l'intensità luminosa del LED per luce trasmessa. (Fig. 54)
 2. Ruotare la manopola di rotazione dello specchio ② per inclinare lo specchio fino ad ottenere l'illuminazione obliqua desiderata.
- Lo specchio ha una superficie liscia ed una zigrinata. Le due superfici consentono di ottimizzare l'osservazione fornendo un contrasto adeguato in funzione del campione da osservare.



9.11 Uso dei paraocchi in gomma (SZO-B / T)

• Uso con occhiali da vista

Abbassare i paraocchi in gomma con entrambe le mani. La presenza dei paraocchi abbassati evita di graffiare le lenti degli occhiali. (Fig. 55)



- **Uso senza occhiali da vista**

Rialzare i paraocchi ed osservare al microscopio appoggiando gli occhi ai paraocchi, in modo da evitare che la luce esterna arrivi a disturbare l'occhio. (Fig. 56)



9.12 Uso delle basi a sbalzo

9.12.1 SZ-STL1

Spostare il braccio orizzontale

1. Allentare le manopole sulla parte destra del braccio orizzontale ①. (Fig. 57)
2. Il braccio può essere allungato o accorciato in base alle specifiche esigenze. (Fig. 58)



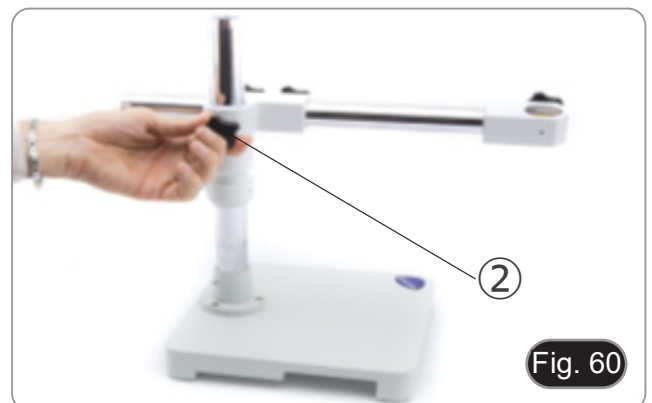
Angolare la testa

1. Allentare le manopole ① e ruotare la testa fino all'angolo desiderato (destra o sinistra), quindi serrare la vite di fissaggio. (Fig. 59)



Ruotare il braccio orizzontale

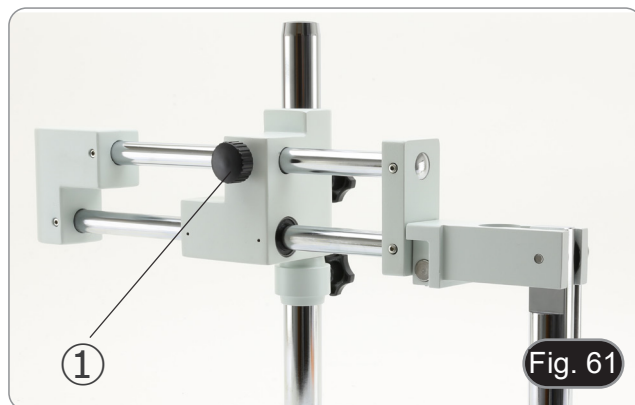
1. Allentare la vite di fissaggio del braccio orizzontale ② e ruotare il braccio, quindi serrare la vite di fissaggio. (Fig. 60)
- **NOTA: Una rotazione del microscopio di 180° rispetto alla base potrebbe causare un rovesciamento di tutto il sistema.**



9.12.2 SZ-STL2

Spostare il braccio orizzontale

1. Allentare la manopola sulla parte sinistra del braccio orizzontale ①. (Fig. 61)



2. Il braccio può essere allungato o accorciato in base alle specifiche esigenze. (Fig. 62)



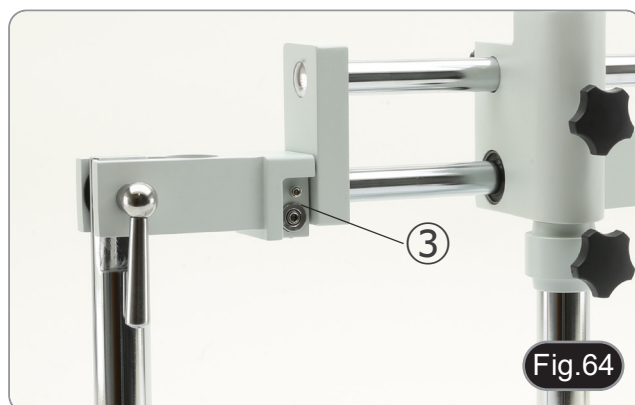
Inclinare il supporto della testa

1. Allentare la manopola ② (Fig. 63) sulla parte destra del supporto. La colonna inclinabile può essere spostata. Una volta raggiunto l'angolo desiderato, serrare la manopola.



Angolare la testa

1. Allentare la vite di fissaggio ③ e ruotare la testa fino all'angolo desiderato (destra o sinistra), quindi serrare la vite di fissaggio. (Fig. 64-65)





Ruotare il braccio orizzontale

1. Allentare la vite di fissaggio del braccio orizzontale ④ e ruotare il braccio, quindi serrare la vite di fissaggio. (Fig. 66)
- **NOTA: Una rotazione del microscopio di 180° rispetto alla base potrebbe causare un rovesciamento di tutto il sistema.**



9.12.3 SZ-STL3X

Spostare il braccio orizzontale

1. Allentare la manopola sulla parte destra del braccio orizzontale ①. (Fig. 67)
2. Il braccio può essere allungato o accorciato in base alle specifiche esigenze. (Fig. 68)



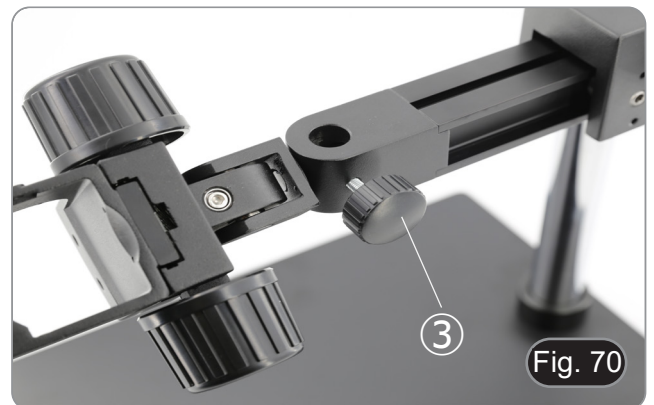
Inclinare il supporto testa

1. Allentare la vite a brugola ② (Fig. 69) sulla parte superiore del supporto della testa.
2. La parte nera basculante può essere spostata. Una volta raggiunto l'angolo desiderato, serrare nuovamente la vite.



Angolare la testa

1. Sbloccare la manopola di fissaggio ③ e ruotare la testa fino all'angolo di rotazione desiderato (a sinistra o a destra), quindi stringere nuovamente la manopola. (Fig. 70-71)



Ruotare il braccio orizzontale

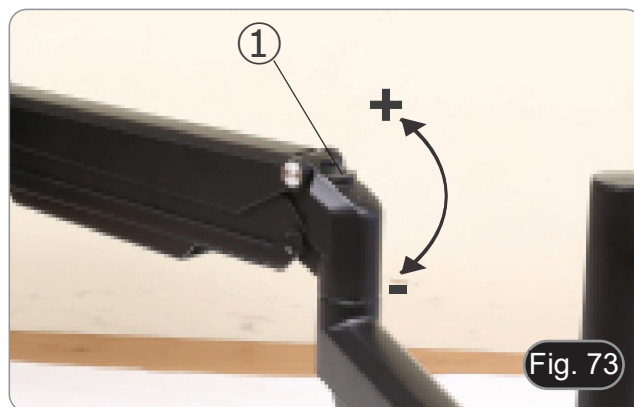
1. Allentare la manopola di fissaggio del braccio orizzontale ④ e ruotare il braccio, quindi stringere nuovamente la manopola. (Fig. 72)
- **NOTA:** la rotazione di 180° del microscopio rispetto alla base potrebbe causare un ribaltamento dell'intero sistema.



9.12.4 SZ-STL5 / SZ-STLA6 / SZ-STL5LED

Regolare la tensione del braccio orizzontale

- Se il braccio orizzontale tende a scendere automaticamente, potrebbe essere necessario regolare la tensione per adattarla al peso totale del sistema.
1. Usando la chiave a brugola da 6mm (P) serrare la vite ① per aumentare la tensione del braccio orizzontale. (Fig. 73)
- La rotazione in senso antiorario aumenta la tensione, mentre quella in senso orario la riduce.



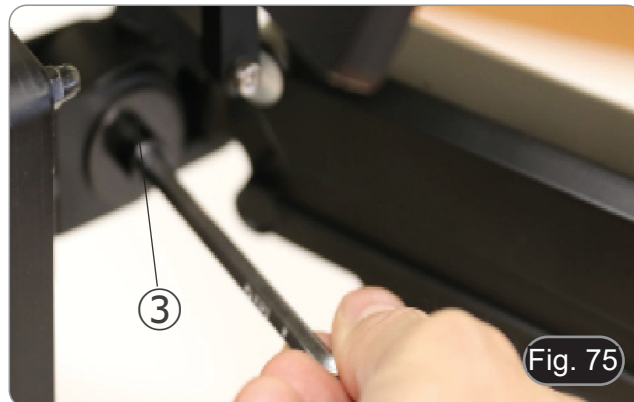
Ruotare orizzontalmente la testa

- La testa può essere ruotata orizzontalmente.
1. Usando la chiave a brugola da 6mm (P) allentare la vite ②, ruotare la testa nella posizione desiderata quindi serrare la vite. (Fig. 74)



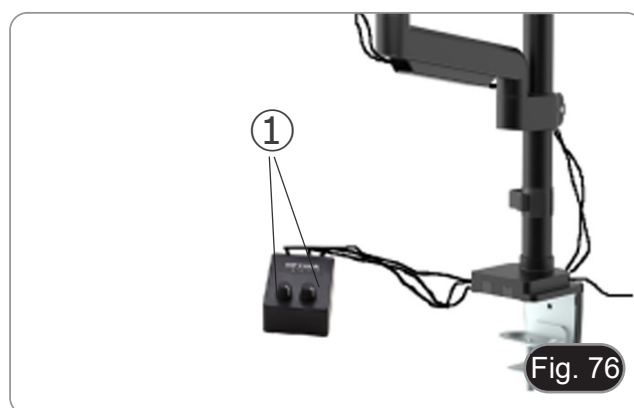
Inclinare la testa

1. Usando la chiave a brugola da 6mm (P) allentare la vite ③, inclinare la testa nella posizione desiderata quindi serrare la vite. (Fig. 75)



Regolazione della luminosità

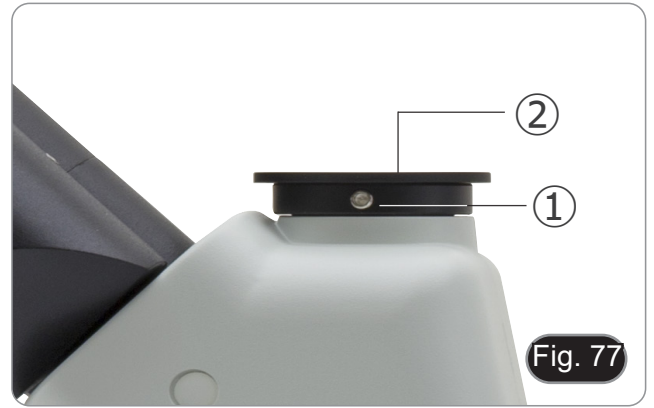
Ruotare le manopole di regolazione dell'intensità luminosa ① per accendere/spegnere e per aumentare/diminuire l'intensità luminosa di ogni singolo braccio LED. (Fig. 76)



10. Microfotografia

10.1 Uso di telecamere a passo "C"

1. Allentare la vite di bloccaggio ① sul tubo trinoculare e rimuovere il tappo antipolvere ②. (Fig. 77)



2. Avvitare l'adattatore passo C ③ alla telecamera ④ e installare l'attacco rotondo del passo C nel foro vuoto del tubo trinoculare, quindi riavvitare la vite di serraggio ①. (Fig. 78)



10.2 Uso di fotocamere Reflex

1. Inserire l'adattatore per reflex ① nel tubo di collegamento a microscopio ②.
 2. Avvitare l'anello "T2" ③ (non in dotazione) all'adattatore per reflex.
 3. Collegare la fotocamera Reflex ④ all'anello "T2" appena montato. (Fig. 79)
 4. Montare la parte terminale del tubo di collegamento ② nel foro vuoto del tubo trinoculare, quindi riavvitare la vite di serraggio. (Fig. 77)
- L'anello "T2" non è fornito insieme al microscopio, ma è disponibile in commercio.
 - Per la fotografia di preparati scuri, oscurare gli oculari e il mirino con un panno scuro per limitare la luce diffusa.
 - Per misurare l'ingrandimento della macchina fotografica calcolare: $\text{ingrandimento obiettivo} \times \text{ingrandimento macchina fotografica} \times \text{ingrandimento lente}$.
 - **Se si utilizza una macchina SLR, il movimento dello specchio potrebbe far vibrare la macchina.**
 - **Si consiglia di sollevare lo specchio, di usare tempi di esposizione lunghi e uno scatto remoto.**



11. Manutenzione

Ambiente di lavoro

Si consiglia di utilizzare il microscopio in un ambiente pulito e secco, privo di urti, ad una temperatura fra 0°C e 40°C e con una umidità relativa massima dell'85% (in assenza di condensazione). Si consiglia l'uso di un deumidificatore se necessario.

Prima e dopo l'utilizzo del microscopio



- Tenere il microscopio sempre in posizione verticale quando lo si sposta.
- Assicurarsi inoltre che le parti mobili, ad esempio gli oculari, non cadano.
- Non maneggiare senza precauzioni e non adoperare inutile forza sul microscopio.
- Non cercare di provvedere da soli alla riparazione.
- Dopo l'uso spegnere immediatamente la lampada, coprire il microscopio con l'apposita copertina antipolvere in dotazione e tenerlo in un luogo asciutto e pulito.

Precauzioni per un utilizzo sicuro



- Prima di collegare l'alimentatore alla rete elettrica assicurarsi che il voltaggio locale sia idoneo a quello dell'apparecchio e che l'interruttore della lampada sia posizionato su OFF.
- Attenersi a tutte le precauzioni di sicurezza della zona in cui ci si trova ad operare.

Pulizia delle ottiche

- Qualora le ottiche necessitino di essere pulite, utilizzare prima di tutto aria compressa.
- Se questo non fosse sufficiente usare un panno non sfilacciato, inumidito con acqua e un detergente delicato.
- Come ultima opzione è possibile usare un panno inumidito con una soluzione 3:7 di alcol etilico ed etere.
- **Attenzione: l'alcol etilico e l'etere sono sostanze altamente infiammabili. Non usarle vicino ad una fonte di calore, a scintille o presso apparecchiature elettriche. Le sostanze devono essere adoperate in un luogo ben ventilato.**
- Non strofinare la superficie di nessun componente ottico con le mani. Le impronte digitali possono danneggiare le ottiche.
- Non smontare gli obiettivi o gli oculari per cercare di pulirli.

Per un migliore risultato, utilizzare il kit di pulizia OPTIKA (vedi catalogo).

Se si necessita di spedire il microscopio al produttore per la manutenzione, si prega di utilizzare l'imballo originale.

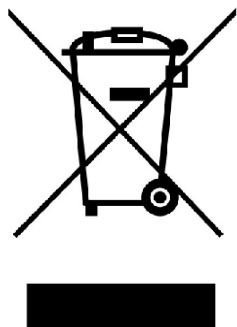
12. Guida alla risoluzione dei problemi

Consultare le informazioni riportate nella tabella seguente per risolvere eventuali problemi operativi.

PROBLEMA	CAUSA	SOLUZIONE
I. Sezione Ottica:		
Il LED è acceso, ma il campo visivo è scuro	L'alimentatore è scollegato	Collegarlo
	La luminosità è troppo bassa	Regolarla ad un livello adeguato
I bordi del campo visivo sono vignettati o la luminosità è asimmetrica	L'illuminatore per luce incidente non è orientato correttamente	Modificare l'angolo dell'illuminatore per luce incidente
Nel campo visivo si osservano sporco e polvere	Sporco e polvere sul campione	Pulire il campione
	Sporco e polvere sull'oculare	Pulire l'oculare
Bassa qualità dell'immagine: <ul style="list-style-type: none">• Immagine non buona• Basso contrasto• Dettagli non nitidi• Riflessi nell'immagine	Le lenti (lenti addizionali, oculari) sono sporche	Pulire accuratamente tutte le componenti ottiche
Un lato dell'immagine non è a fuoco	Il campione non è ben posizionato (inclinato)	Posizionare in piano il campione sul piattello
II. Sezione Meccanica:		
La manopola macrometrica è difficile da ruotare	L'anello di regolazione della tensione è troppo stretto	Allentare l'anello di regolazione della tensione
La messa a fuoco è instabile	L'anello di regolazione della tensione è troppo allentato	Stringere l'anello di regolazione della tensione
III. Sezione Elettrica:		
Il LED non si accende	Lo strumento non viene alimentato	Verificare il collegamento del cavo di alimentazione
La luminosità è insufficiente	La luminosità è regolata bassa	Regolare la luminosità
La luce lampeggia	Il cavo di alimentazione non è collegato bene	Verificare il collegamento del cavo
IV. Testa di osservazione:		
Il campo visivo è diverso per ciascun occhio	La distanza interpupillare non è corretta	Regolare la distanza interpupillare
	La correzione diottrica non è giusta	Regolare la correzione diottrica
	La tecnica di visione non è corretta, e l'operatore sforza la vista	Quando guarda il campione non focalizzi lo sguardo in un unico punto ma guardi l'intero campo visivo a disposizione. Periodicamente distolga lo sguardo e guardi un punto distante, dopodiché torni ad analizzare il campione
V. Microfotografia:		
L'immagine non è a fuoco	Messa a fuoco incorretta	Regolare la messa a fuoco come spiegato nel manuale
Sull'immagine compaiono delle macchie chiare	Nel microscopio entra della luce diffusa attraverso gli oculari	Coprire gli oculari con un panno scuro

Smaltimento

Ai sensi dell'articolo 13 del decreto legislativo 25 luglio 2005 n°151. "Attuazione delle direttive 2002/95/CE, 2002/96/CE e 2003/108/CE, relative alla riduzione dell'uso di sostanze pericolose nelle apparecchiature elettriche ed elettroniche, nonché allo smaltimento dei rifiuti".



Il simbolo del cassonetto riportato sulla apparecchiatura o sulla sua confezione indica che il prodotto alla fine della propria vita utile deve essere raccolto separatamente dagli altri rifiuti. La raccolta differenziata della presente apparecchiatura giunta a fine vita è organizzata e gestita dal produttore. L'utente che vorrà disfarsi della presente apparecchiatura dovrà quindi contattare il produttore e seguire il sistema che questo ha adottato per consentire la raccolta separata dell'apparecchiatura giunta a fine vita. L'adeguata raccolta differenziata per l'avvio successivo della apparecchiatura dismessa al riciclaggio, al trattamento e allo smaltimento ambientalmente compatibile contribuisce ad evitare possibili effetti negativi sull'ambiente e sulla salute e favorisce il reimpiego e/o riciclo dei materiali di cui è composta l'apparecchiatura. Lo smaltimento abusivo del prodotto da parte del detentore comporta l'applicazione delle sanzioni amministrative previste dalla normativa vigente.

OPTIKA® S.r.l.

Via Rigla, 30 - 24010 Ponteranica (BG) - ITALY Tel.: +39 035.571.392
info@optikamicroscopes.com - www.optikamicroscopes.com

OPTIKA® Spain

spain@optikamicroscopes.com

OPTIKA® USA

usa@optikamicroscopes.com

OPTIKA® China

china@optikamicroscopes.com

OPTIKA® India

india@optikamicroscopes.com

OPTIKA® Central America

america@optikamicroscopes.com

Serie SZ

MANUAL DE INSTRUCCIONES

Modelo	
SZ-A1	SZ-A6
SZX-B	SZX-T
SZX-BA	SZX-TA
SZO-B	SZO-T
SZ-ST1	SZ-ST2
SZ-ST3	SZ-ST7
SZ-ST8	SZ-OBL
ST-150	ST-152
SZ-STL1	SZ-STL2
SZ-STL3X	SZ-STL5
SZ-STL5A6	SZ-STL5LED

Ver. 2.6 2026



Índice

1.	Advertencia	104
2.	Información de seguridad	104
3.	Contenido del embalaje	105
3.1	SZX-B / SZX-T / SZX-BA / SZX-TA	105
3.2	SZO-B / SZO-T	106
3.3	SZ-A1	106
3.4	SZ-A6	107
3.5	ST-150	107
3.6	ST-152	108
3.7	SZ-ST1	108
3.8	SZ-ST2 / SZ-ST3	109
3.9	SZ-ST7 / SZ-ST8	109
3.10	SZ-OBL	110
3.11	SZ-STL1	110
3.12	SZ-STL2	111
3.13	SZ-STL3X	111
3.14	SZ-STL5 / SZ-STL5A6	112
3.15	SZ-STL5LED	113
4.	Desembalaje	114
5.	Utilización	114
6.	Símbolos	114
7.	Descripción del instrumento	115
7.1	Diagrama del Sistema	115
7.2	SZX-B / SZX-T / SZX-BA / SZX-TA	116
7.3	SZO-B / SZO-T	116
7.4	SZ-A1	117
7.5	SZ-A6	117
7.6	ST-150	118
7.7	ST-152	118
7.8	SZ-ST1	119
7.9	SZ-ST2 / SZ-ST3	119
7.10	SZ-ST7 / SZ-ST8	120
7.11	SZ-OBL	120
7.12	SZ-STL1	121
7.13	SZ-STL2	121
7.14	SZ-STL3X	122
7.15	SZ-STL5 / SZ-STL5A6	122
7.16	SZ-STL5LED	123
8.	Montaje	124
8.1	SZ-A1 / SZ-A6	124
8.2	SZ-ST1 / ST-150	124
8.3	ST-152	124
8.4	SZ-ST2 / SZ-ST3	124
8.5	SZ-ST7 / SZ-ST8 / SZ-OBL	125
8.6	SZ-STL1	125
8.7	SZ-STL2	128
8.8	SZ-STL3X	130
8.9	SZ-STL5 / SZ-STL5A6 / SZ-STL5LED	132
8.9.1	Fijación a la mesa con abrazadera	132
8.9.2	Fijación a la mesa con agujero pasante	133
8.10	Instalar el cabezal (todos los modelos)	134
8.11	Instalar los oculares (todos los modelos)	134
8.12	Instalación de la salida foto (SZX-T/TA)	134
9.	Uso del microscopio	135
9.1	Regulación de la distancia interpupilar	135
9.2	Enfoque	135
9.3	Ajustar de la tensión de los botones de enfoque	135
9.3.1	SZ-A1	135
9.3.2	SZ-A6	135
9.4	Compensación dioptica	136
9.5	Aumento	137
9.6	Uso de lentes adicionales	137

9.7	Uso de lentes adicionales 0.3X-0.5X	138
9.8	Placa blanco/negro (SZ-ST1 / 2 / 3 / 7 / 8)	138
9.9	Uso de la iluminación (SZ-ST2 / 3 / 7 / 8)	139
9.10	Uso de la iluminación (SZ-OBL)	139
9.11	Uso de protectores de goma (SZO-B / T)	139
9.12	Uso de bases en voladizo	141
9.12.1	SZ-STL1	141
9.12.2	SZ-STL2	142
9.12.3	SZ-STLX	143
9.12.4	SZ-STL5 / SZ-STL5A6 / SZ-STL5LED	145
10.	Microfotografía	146
10.1	Uso de cámaras de paso “C”	146
10.2	Uso de cámara Reflex	146
11.	Mantenimiento	147
12.	Guía de solución de problemas	148
	Medidas ecológicas y reciclaje	149

1. Advertencia

Este microscopio es un instrumento científico de precisión. Su utilización está pensada para una larga duración con un mínimo nivel de mantenimiento. Para su fabricación se han utilizado elementos ópticos y mecánicos de elevada calidad que lo convierten en el instrumento ideal para la utilización diaria en las aulas y el laboratorio. Informamos que esta guía contiene importantes informaciones sobre la seguridad y el mantenimiento del producto y por lo tanto debe ser accesible a todos aquellos que utilizan dicho instrumento.

2. Información de seguridad



Evitar una descarga eléctrica

Antes de conectar el microscopio a la toma de corriente, asegurarse que la tensión de entrada del lugar donde se usa coincide con la tensión de utilización del microscopio y que el interruptor del iluminador esté en posición off. El usuario debe consultar las normas de seguridad de su país. El instrumento está dotado de una etiqueta de seguridad CE. No obstante estas pautas, el usuario debería utilizar el microscopio en función de sus necesidades pero con un mínimo de responsabilidad y seguridad. Por favor, siga las siguientes instrucciones y lea éste manual en su totalidad para asegurar la operación segura del equipo.

3. Contenido del embalaje

3.1 SZX-B / SZX-T / SZX-BA / SZX-TA



① Cuerpo del microscopio

• SZX-B/BA Binocular / SZX-T/TA Trinocular

② Oculares

③ Llave Allen (sólo para SZX-T/TA)

④ Cubierta antipolvo

⑤ Anillo de salida de fotos (sólo para SZX-T/TA)

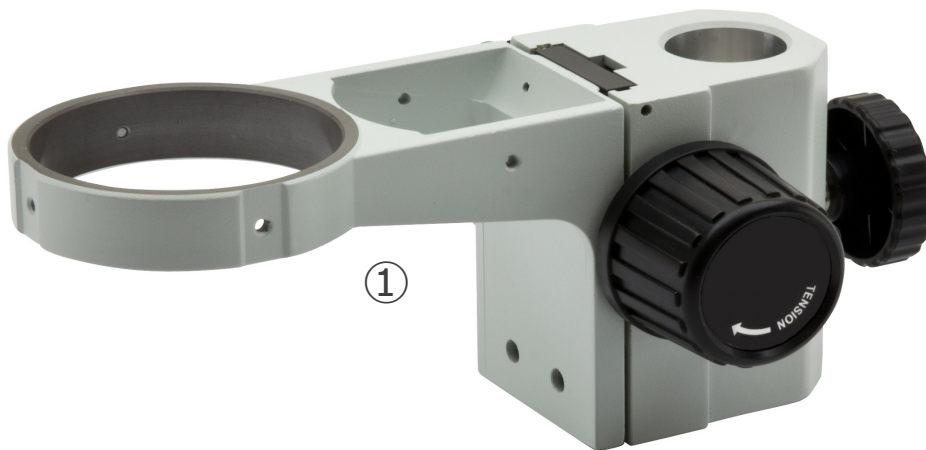
3.2 SZO-B / SZO-T



- ① Cuerpo del microscopio
- SZO-B Binocular / SZO-T Trinocular
- ② Oculares

- ③ Llave Allen (sólo para SZO-T)
- ④ Cubierta antipolvo

3.3 SZ-A1



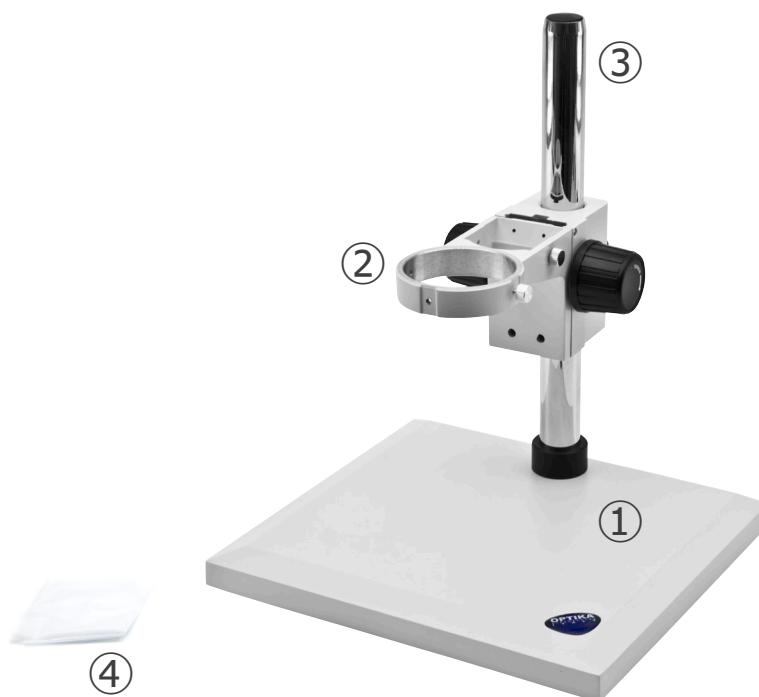
- ① Enfoque Macro

3.4 SZ-A6



① Enfoque Macro/Micro

3.5 ST-150



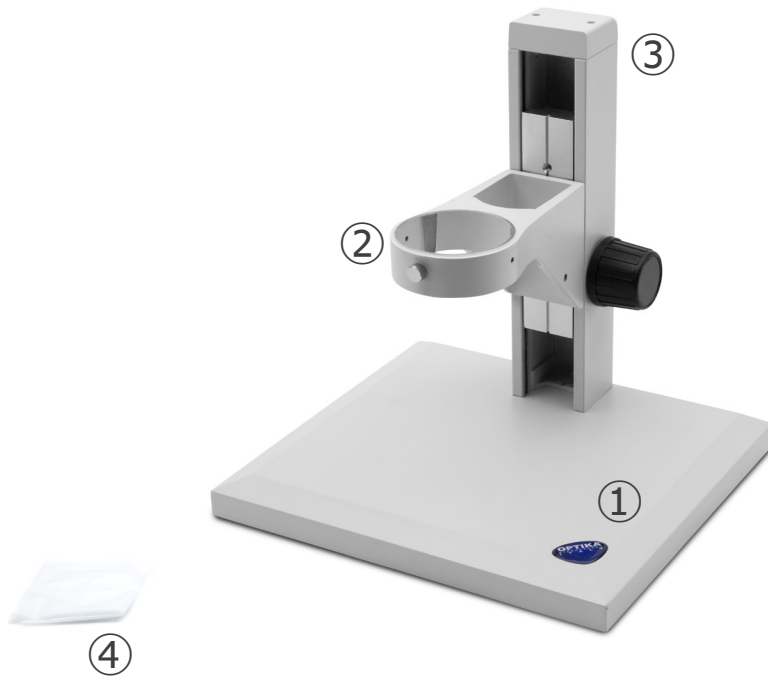
① Base

② Soporte de cabezal / enfoque

③ Pilar

④ Cubierta antipolvo

3.6 ST-152



① Base

② Soporte de cabezal / enfoque

③ Pilar

④ Cubierta antipolvo

3.7 SZ-ST1



① Base

② Pinzas de muestras (una pareja)

③ Placa blanca/negra

3.8 SZ-ST2 / SZ-ST3



- ① Base
- ② Placa opalina
- ③ Pinzas de muestras (una pareja)

- ④ Iluminador luz incidente
- ⑤ Placa blanca/negra
- ⑥ Fuente de alimentación

3.9 SZ-ST7 / SZ-ST8



- ① Base
- ② Placa opalina
- ③ Pinzas de muestras (una pareja)

- ④ Placa blanca/negra
- ⑤ Fuente de alimentación

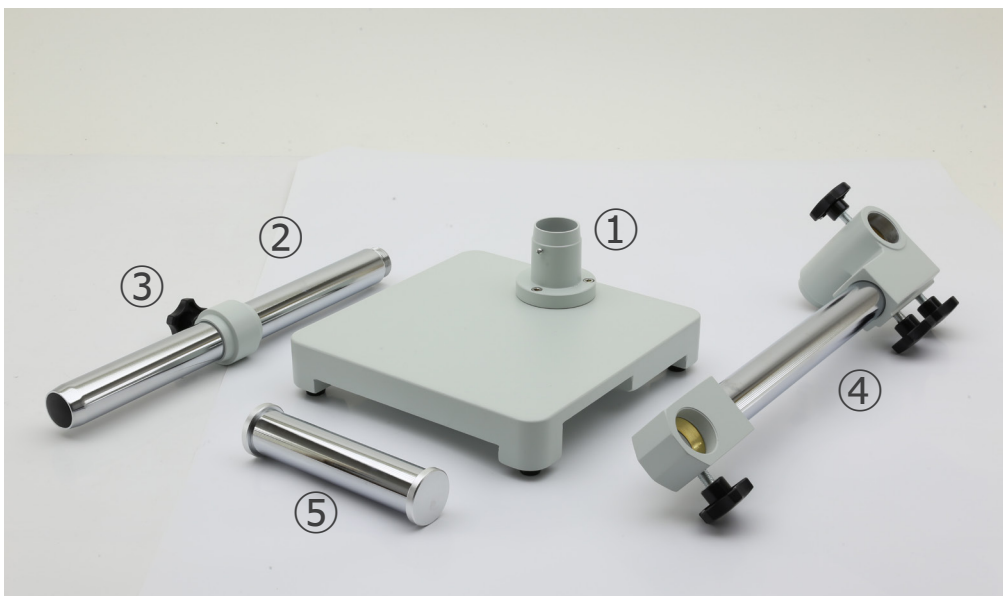
3.10 SZ-OBL



- ① Base
- ② Pilar
- ③ Placa de vidrio

- ④ Alimentación
- ⑤ Cubierta de polvo

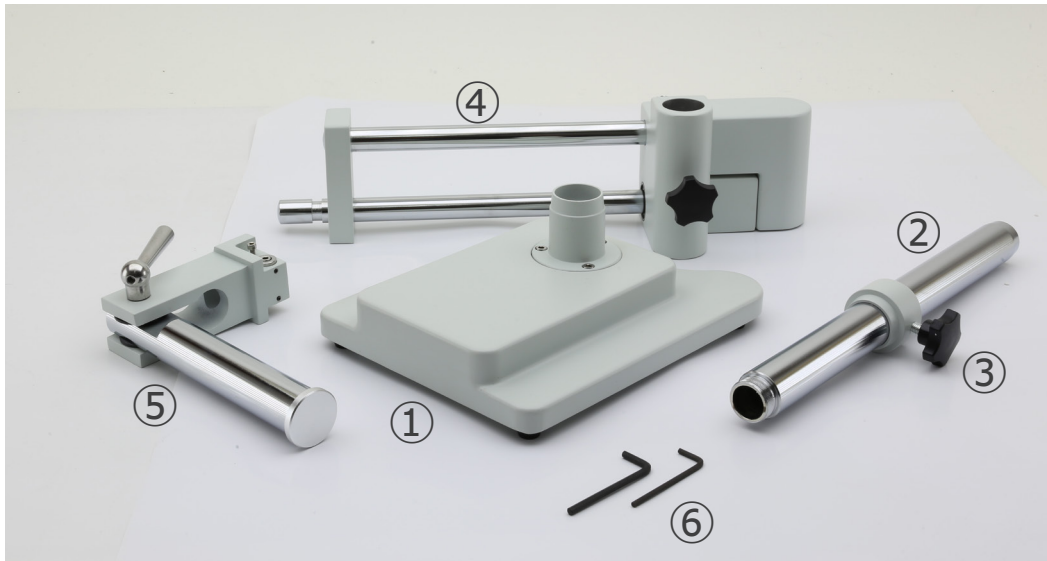
3.11 SZ-STL1



- ① Base
- ② Brazo vertical
- ③ Anillo de prevención de descenso

- ④ Brazo horizontal
- ⑤ Brazo de soporte de enfoque

3.12 SZ-STL2



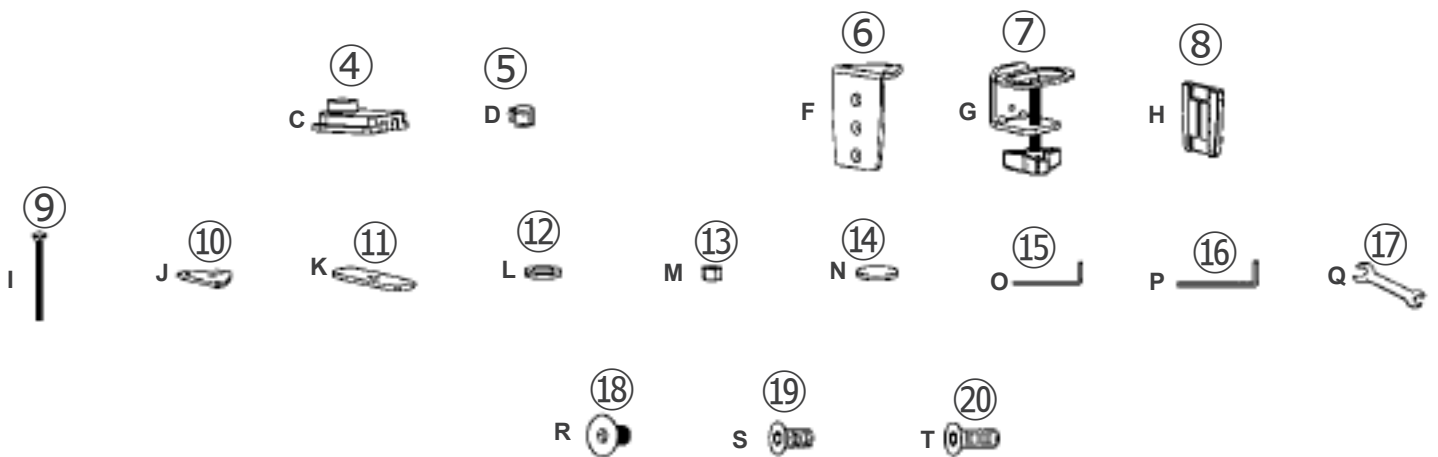
- ① Base
- ② Brazo vertical
- ③ Anillo de prevención de descenso
- ④ Brazo horizontal
- ⑤ Brazo de soporte de enfoque
- ⑥ Llave Allen

3.13 SZ-STL3X



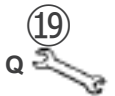
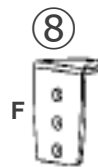
- ① Base
- ② Brazo vertical
- ③ Brazo horizontal
- ④ Anillo de prevención de descenso
- ⑤ Enfoque
- ⑥ Llave Allen

3.14 SZ-STL5 / SZ-STL5A6



- | | |
|---|----------------------------------|
| ① Pilar | ⑩ Placa de fijación (J) |
| ② Brazo horizontal | ⑪ Placa de fijación (K) |
| ③ Soporte de cabezal / enfoque | ⑫ Arandela (L) |
| • SZ-STL5: macro | ⑬ Tuerca (M) |
| • SZ-STL5A6: macro/micro | ⑭ Patas de goma (4 piezas) (N) |
| ④ Pinza de mesa (C) | ⑮ Llave Allen 4mm (O) |
| ⑤ Anillo de prevención de caídas / Bridas de cables (D) | ⑯ Llave Allen 6mm (P) |
| ⑥ Soporte de abrazadera (F) | ⑰ LLave (Q) |
| ⑦ Pinza (G) | ⑱ Tornillos M6x10 (2 piezas) (R) |
| ⑧ Tapa plástica (H) | ⑳ Tornillos M6x12 (3 piezas) (S) |
| ⑨ Tornillo para montaje en agujero pasante (I) | ⑳ Tornillos M6x16 (3 piezas) (T) |

3.15 SZ-STL5LED



- | | |
|---|----------------------------------|
| ① Pilar | ⑫ Placa de fijación (J) |
| ② Brazo horizontal | ⑬ Placa de fijación (K) |
| ③ Soporte de cabezal / enfoque | ⑭ Arandela (L) |
| ④ Brazos autoportantes LED | ⑮ Tuerca (M) |
| ⑤ Control de iluminación con fuente de alimentación | ⑯ Patas de goma (4 piezas) (N) |
| ⑥ Pinza de mesa (C) | ⑰ Llave Allen 4mm (O) |
| ⑦ Anillo de prevención de caídas / Bridas de cables (D) | ⑱ Llave Allen 6mm (P) |
| ⑧ Soporte de abrazadera (F) | ⑲ Llave (Q) |
| ⑨ Pinza (G) | ⑳ Tornillos M6x10 (2 piezas) (R) |
| ⑩ Tapa plástica (H) | ㉑ Tornillos M6x12 (3 piezas) (S) |
| ⑪ Tornillo para montaje en agujero pasante (I) | ㉒ Tornillos M6x16 (3 piezas) (T) |

4. Desembalaje

El microscopio esta embalado dentro de una caja de porexpan. Quitar el precinto que hay alrededor de la caja y abrirla. Tenga cuidado al abrir la caja ya que algunos accesorios ópticos como objetivos y oculares podrían caerse o dañarse. Con las dos manos (una sujetando el brazo y la otra la base) extraer el microscopio de dentro la caja de porexpan y poner sobre la mesa, procurando que ésta sea fuerte y estable.



Evite tocar superficies ópticas como lentes, filtros o gafas. Rastros de grasa u otros residuos pueden reducir la calidad visual de la imagen final y corroer la superficie de la óptica en poco tiempo.

5. Utilización

Modelos estándar

Para uso exclusivo de investigación y docencia. No está destinado a ningún uso terapéutico o diagnóstico animal o humano.

Modelos IVD

También para uso diagnóstico, orientado a obtener información sobre la situación fisiológica o patológica del sujeto.

6. Símbolos

A continuación le mostramos una lista de los símbolos que encontrará a lo largo de éste manual.



PRECAUCIÓN

Éste símbolo indica riesgo alto y le advierte de proceder con precaución.



DESCARGA ELÉCTRICA

Éste símbolo indica riesgo de descarga eléctrica.

7. Descripción del instrumento

7.1 Diagrama del Sistema



7.2 SZX-B / SZX-T / SZX-BA / SZX-TA



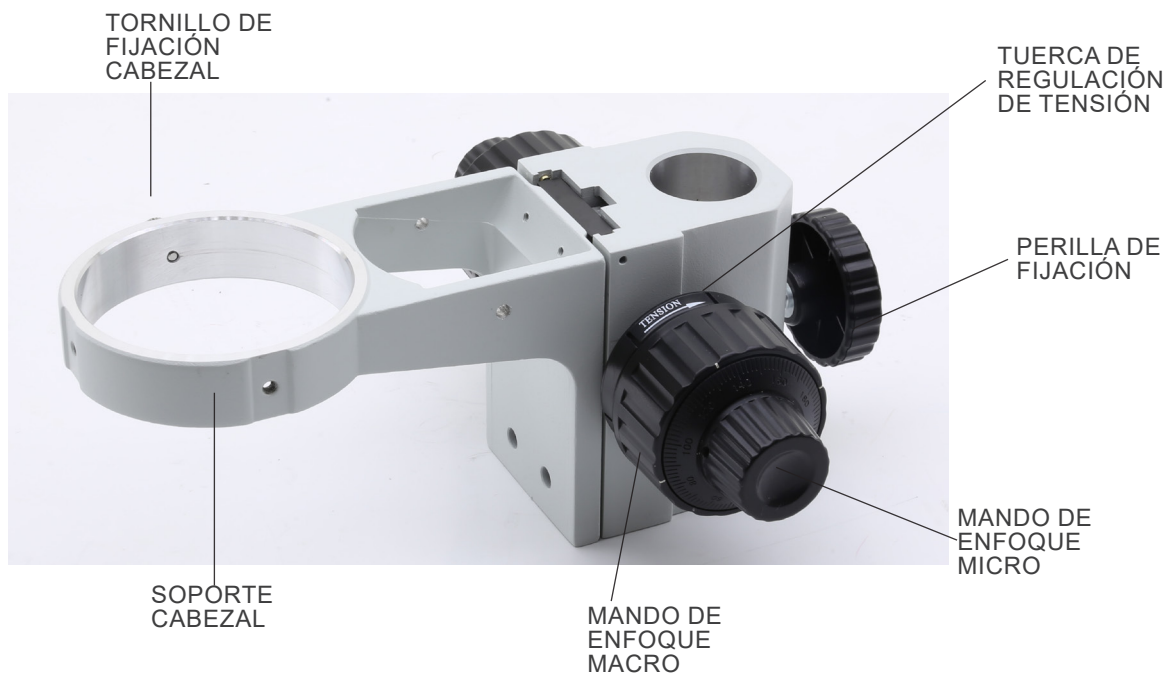
7.3 SZO-B / SZO-T



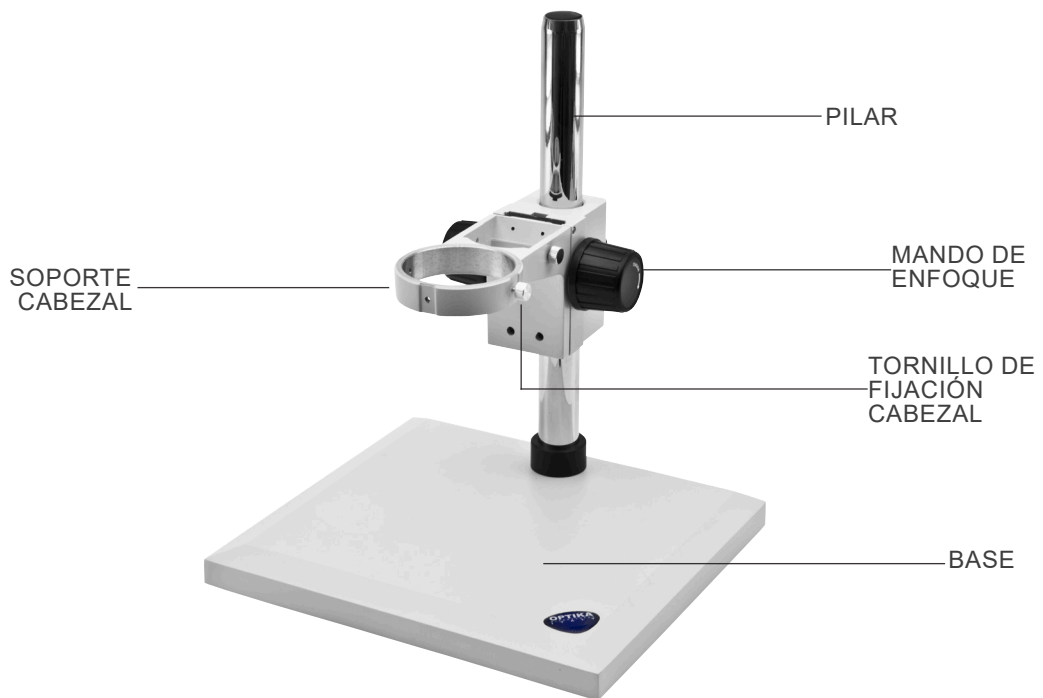
7.4 SZ-A1



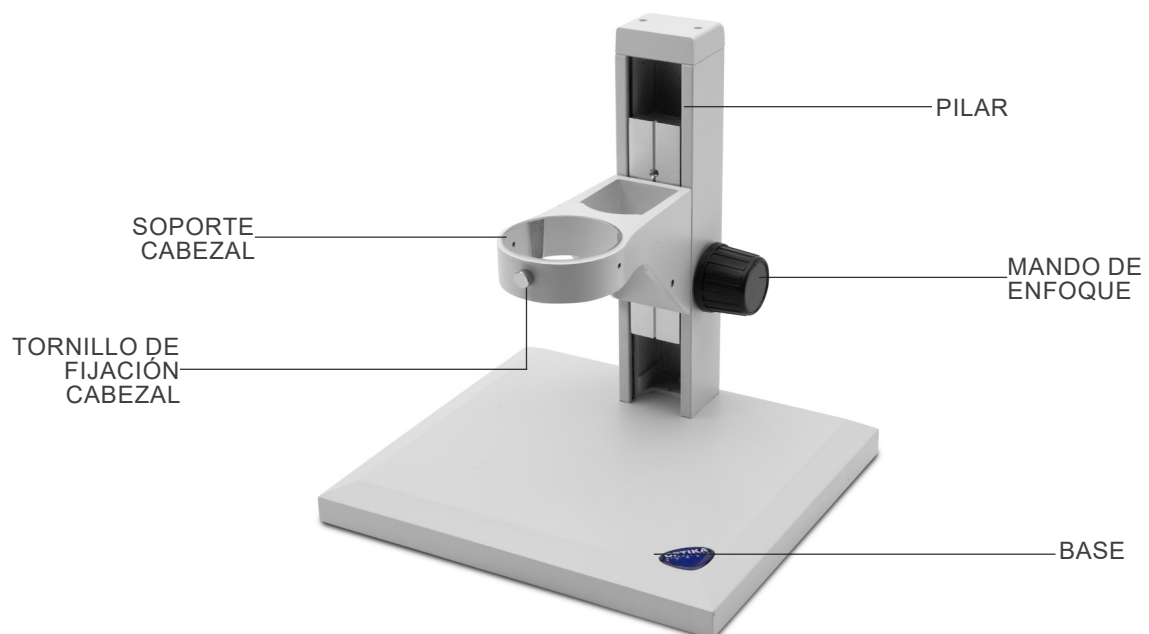
7.5 SZ-A6



7.6 ST-150



7.7 ST-152



7.8 SZ-ST1



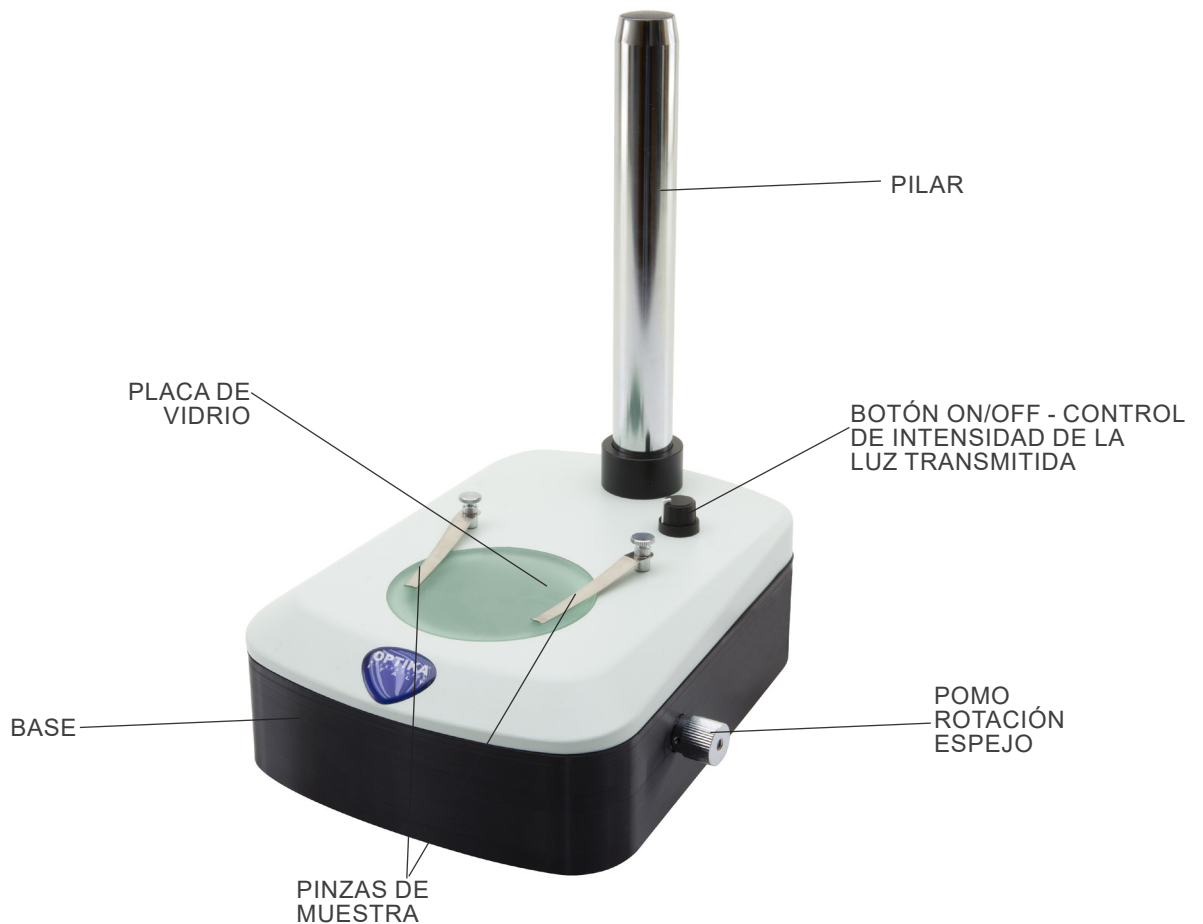
7.9 SZ-ST2 / SZ-ST3



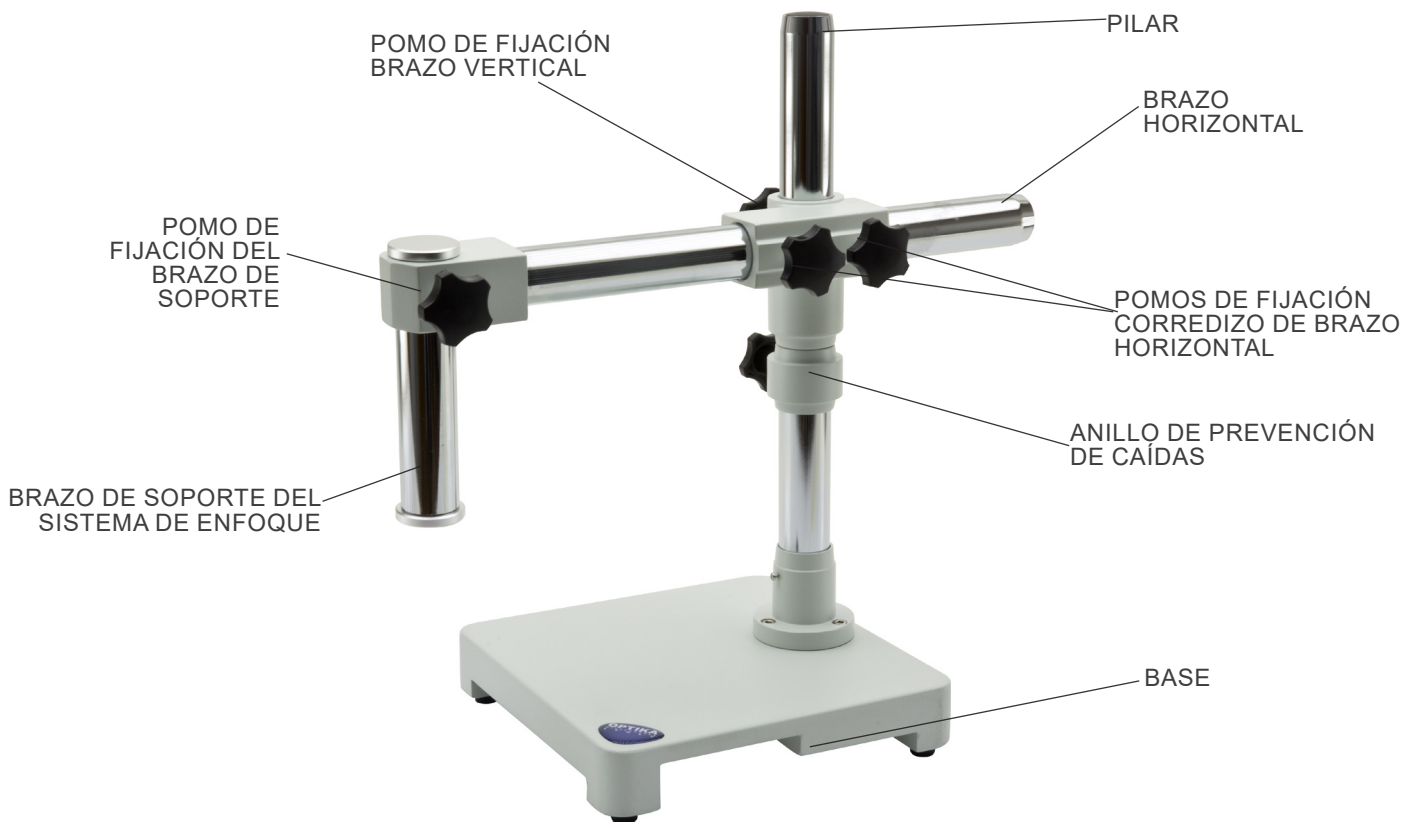
7.10 SZ-ST7 / SZ-ST8



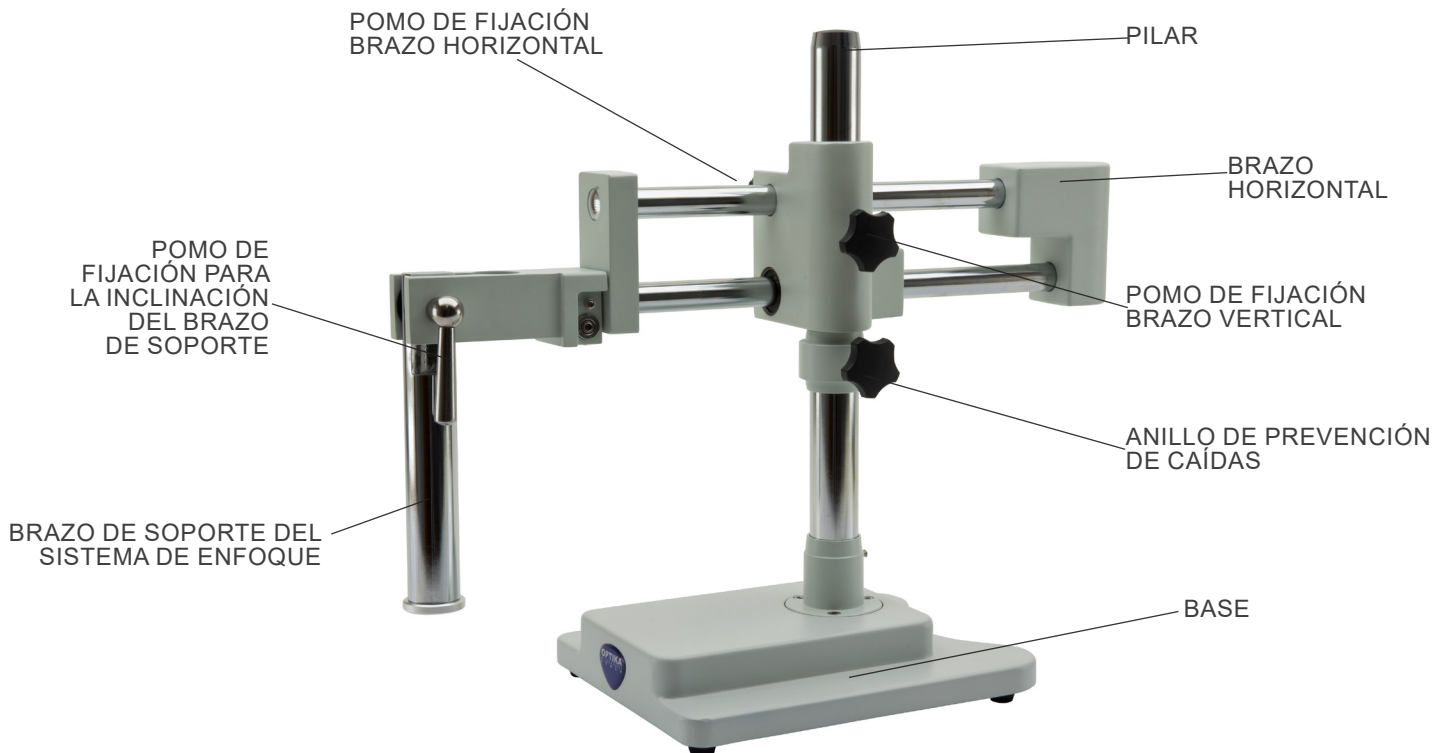
7.11 SZ-OBL



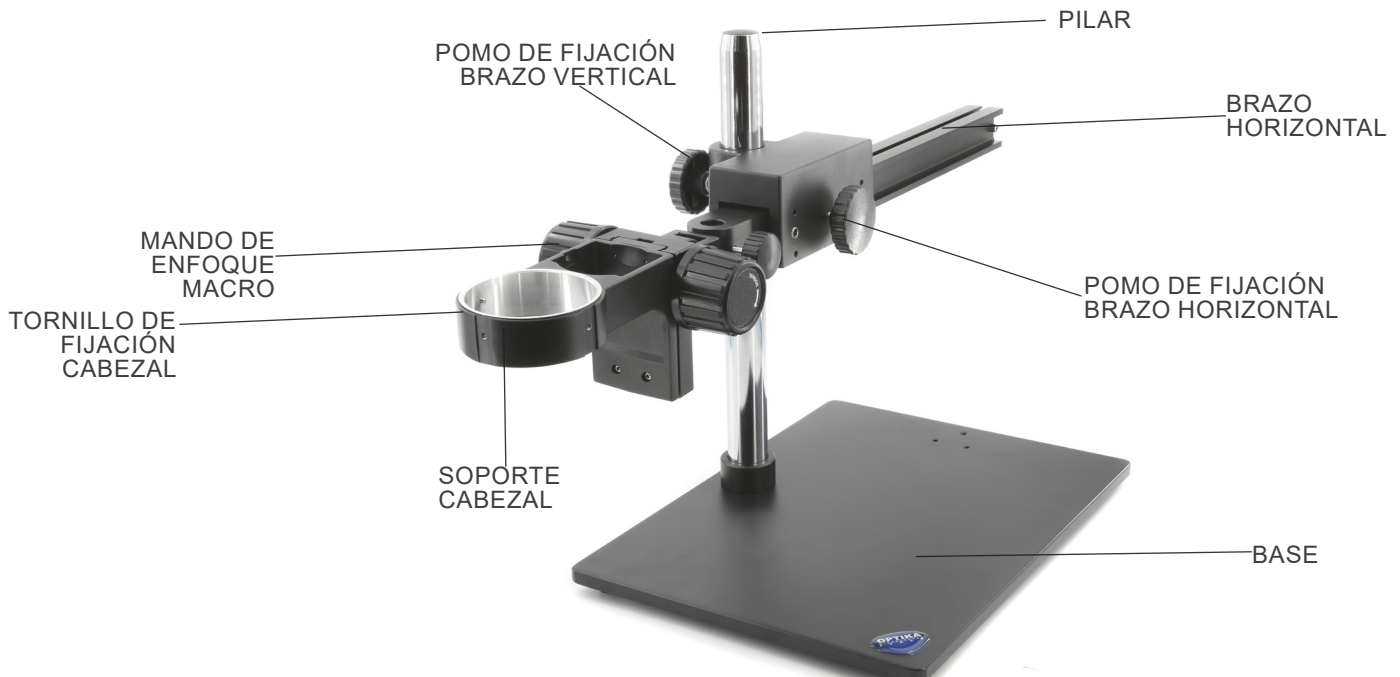
7.12 SZ-STL1



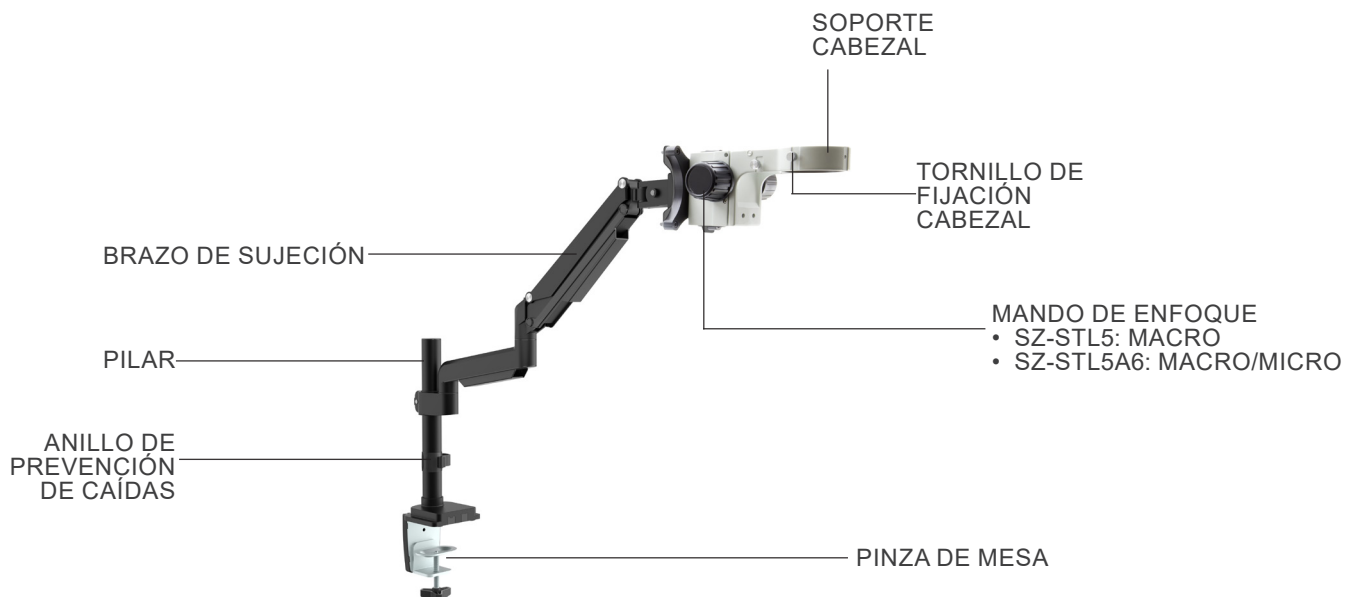
7.13 SZ-STL2



7.14 SZ-STL3X



7.15 SZ-STL5 / SZ-STL5A6



7.16 SZ-STL5LED



8. Montaje

8.1 SZ-A1 / SZ-A6

- El montaje de los sistemas de enfoque SZ-A1 y SZ-A6 se aplica a todas las bases excepto SZ-STL1, SZ-STL2 y SZ-STLX. Para el montaje en estas bases, consultar la sección específica.
1. Colocar el sistema de enfoque en la columna y, una vez alcanzada la altura deseada, Apretar la perilla de bloqueo ① situada en la parte posterior del sistema de enfoque. (Fig. 1)



8.2 SZ-ST1 / ST-150

1. Retirar la base de su embalaje y colóquela sobre una superficie plana. La base ya viene montada de fábrica y no requiere ningún otro procedimiento de montaje que no sea el de montar el sistema de enfoque.

8.3 ST-152

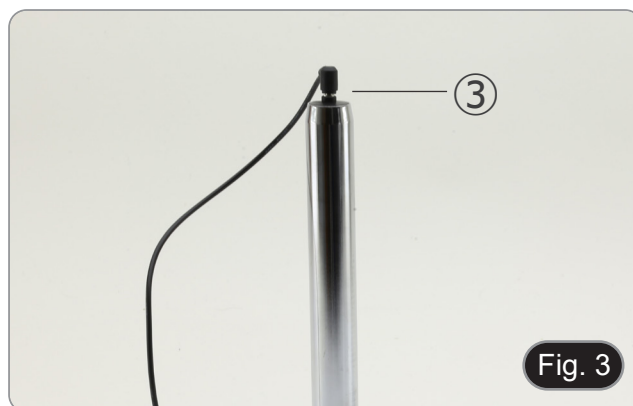
1. Retirar la base de su embalaje y colocarla sobre una superficie plana. La base ya viene montada de fábrica y no requiere ningún otro procedimiento de montaje.

8.4 SZ-ST2 / SZ-ST3

1. Instalar el reflector LED para la luz incidente como se muestra en la Fig. 2.
- Aflojando el tornillo de fijación ② se puede cambiar el ángulo de inclinación del foco para optimizar la iluminación de la muestra.



2. Insertar el enchufe del cable en el conector situado en la parte superior del pilar ③. (Fig. 3)



3. Conectar el enchufe de la fuente de alimentación al conector situado en la parte posterior de la base del microscopio. (Fig. 4)



8.5 SZ-ST7 / SZ-ST8 / SZ-OBL

1. Retirar la base de su embalaje y colocarla sobre una superficie plana. La base ya viene montada de fábrica y no requiere ningún otro procedimiento de montaje que no sea el de montar el sistema de enfoque.
2. Conectar el enchufe de la fuente de alimentación al conector situado en la parte posterior de la base del microscopio. (Fig. 4)

8.6 SZ-STL1

1. Atornillar el pilar a la base. (Fig. 5)



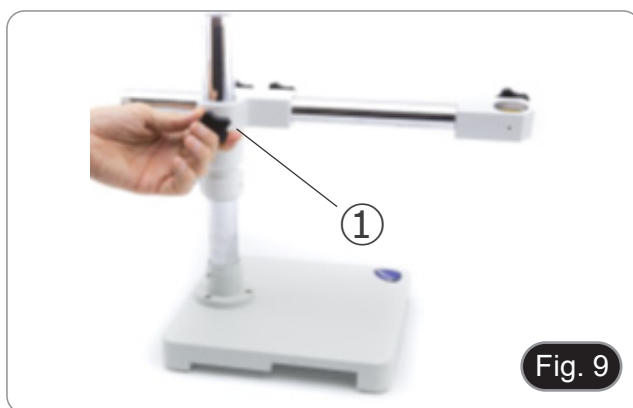
2. Apretar los tornillos para bloquear el pilar. (Fig. 6)



3. Insertar el anillo de prevención de caídas y fijarlo a la altura deseada atornillando el pomo de fijación. (Fig. 7)



4. Insertar el brazo horizontal y fijarlo con el tornillo de fijación ①. (Fig. 8 - 9)



5. Instalar el soporte de enfoque. Desenroscar el botón de prevención ② e insertar el brazo de soporte de cabeza ③ desde arriba en el orificio del brazo horizontal. (Fig. 10-11)



6. Una vez insertado completamente, apretar el tornillo de fijación ④ (Fig. 11)



7. Insertar el sistema de enfoque desde abajo, apretar el tornillo de fijación ⑤ y volver a apretar la perilla de bloqueo ③ desde abajo. (Fig. 12-13)



8.7 SZ-STL2

1. Atornillar el pilar a la base. (Fig. 14)



2. Apretar los tornillos para bloquear el pilar. (Fig. 15)



3. Insertar el anillo de prevención de caídas y fijarlo a la altura deseada atornillando el pomo de fijación. (Fig. 16)



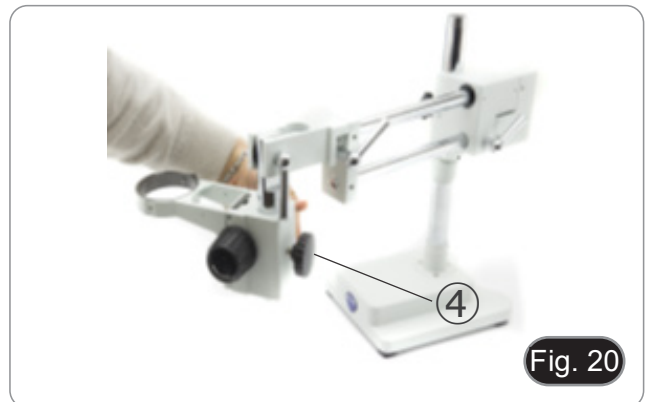
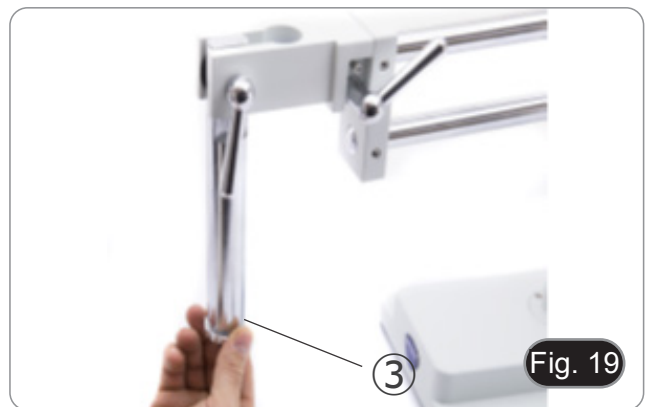
4. Insertar el brazo horizontal y bloquearlo con la perilla de bloqueo ① (Fig. 17).



5. Para mayor seguridad, fijar el tornillo de fijación ② con la llave Allen suministrada. (Fig. 18)

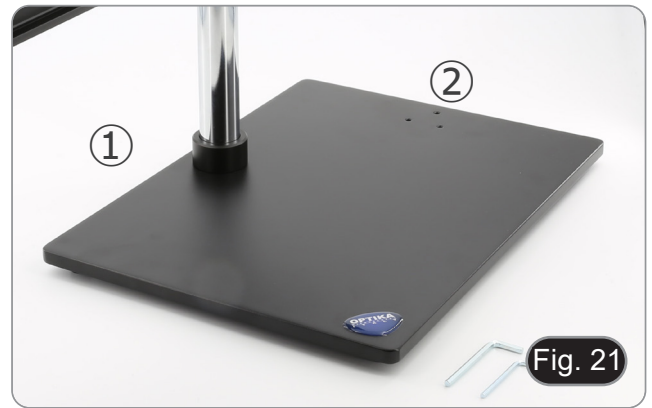


6. Instalar el soporte del cabezal. Desenroscar el botón de prevención ③ e insertar el reposacabezas desde abajo en el brazo vertical. Bloquear la perilla de fijación ④. A continuación, volver a enroscar el botón de prevención ③. (Fig. 19-20)



8.8 SZ-STL3X

1. Introduzca los tres tornillos de fijación de la columna por debajo de la base y, con la llave Allen de 3 mm suministrada, apriete los tornillos. (Fig. 21)
- En función de las necesidades del operador, es posible fijar la columna en el lado largo ① o en el lado corto ② de la base. (Fig. 21)



2. Insertar el anillo de prevención de caídas y fijarlo a la altura deseada atornillando el pomo de fijación. (Fig. 22)



3. Insertar el brazo horizontal y bloquearlo con la perilla de bloque ③. (Fig. 23)

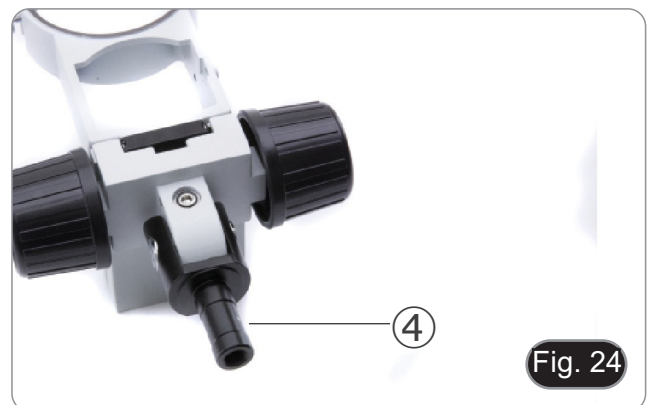


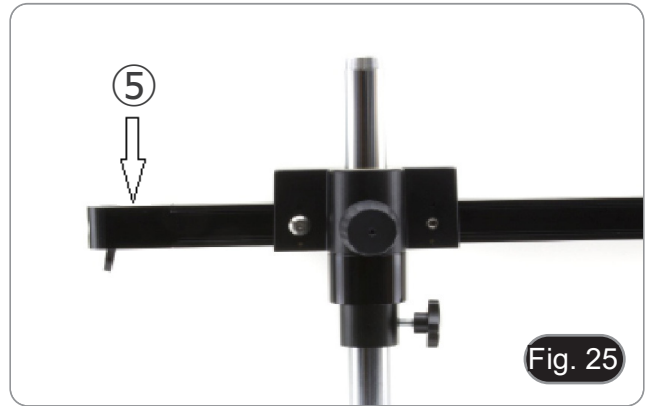
4. El soporte del cabezal se puede instalar de diferentes maneras dependiendo de las necesidades específicas del usuario.

Modo de instalación n° 1: (Fig. 24-26)

Insertar la parte trasera del soporte de la cabeza (parte redonda negra) ④ (Fig. 24) desde arriba en el orificio del brazo horizontal ⑤ (Fig. 25) y fijarlo con el tornillo de fijación ⑥. (Fig. 26)

- **Este modo permite la instalación de cabezales pesados (o con cámaras pesadas instaladas por encima del cabezal).**





Modo de instalación n° 2: (Fig. 27)

Insertar la parte trasera del soporte de la cabeza (parte redonda negra) ④ (Fig. 24) y fijarlo con el tornillo de fijación ⑥. (Fig. 27)



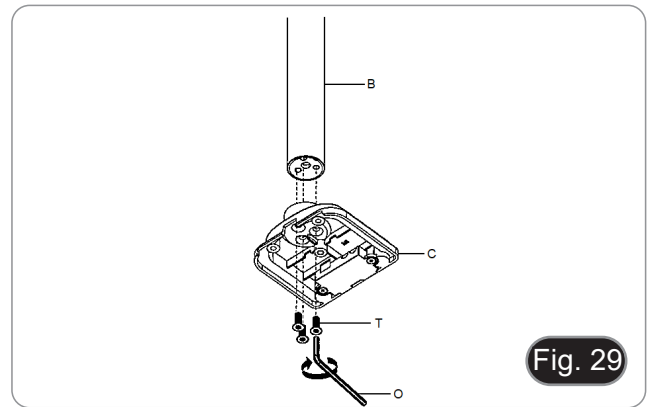
- Estos dos modos permiten inclinar el cabezal. (Fig. 28)



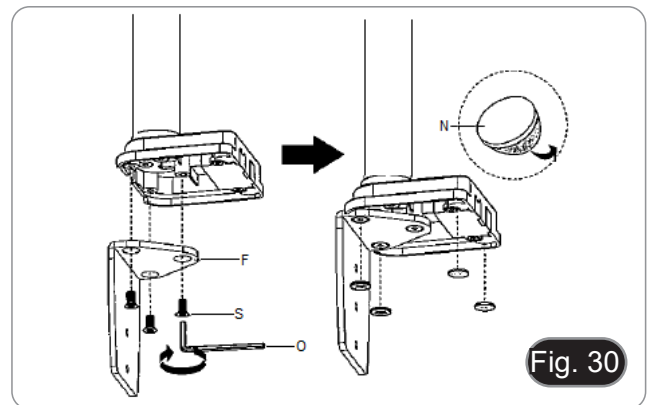
8.9 SZ-STL5 / SZ-STL5A6 / SZ-STL5LED

8.9.1 Fijación a la mesa con abrazadera

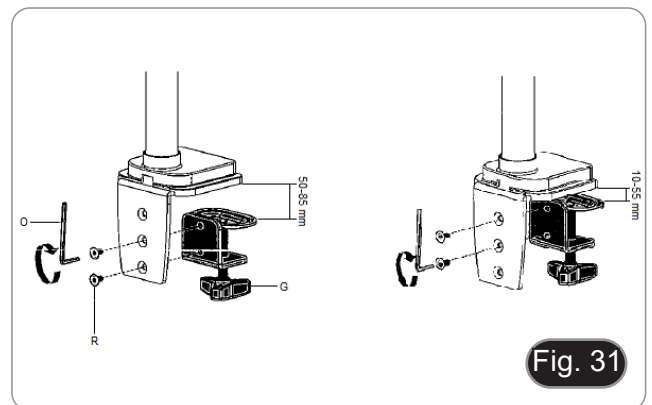
1. Fijar el pilar (B) al soporte de la mesa (C) con los tres tornillos (T). (Fig. 29)



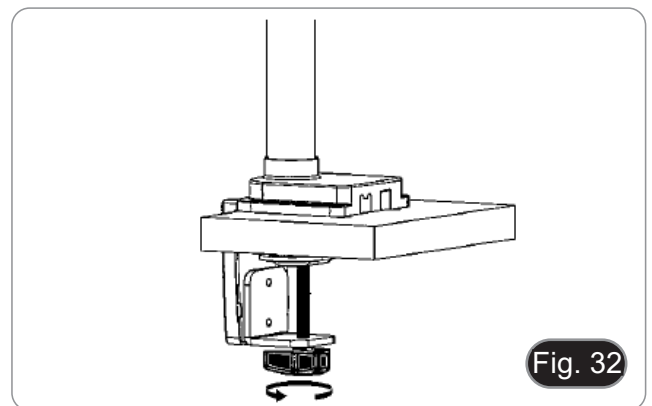
2. Fijar el soporte de la abrazadera (F) al soporte de la mesa (C) con los tres tornillos (S). (Fig. 30)
3. Fijar las patas de goma (N) al soporte de la mesa.



4. Unir la pinza (G) al soporte de la abrazadera (F) mediante los dos tornillos (R). (Fig. 31)
- **NOTA:** Dependiendo del grosor de la mesa, la pinza (G) puede montarse en dos posiciones diferentes.



5. Fijar la tapa de plástico (H) en el soporte de la abrazadera y, a continuación, montarla en la mesa apretando el pomo de fijación. (Fig. 32)
- **NOTA:** La tapa de plástico (H) también sirve como contenedor para las llaves Allen utilizadas para montar y ajustar la tensión de las distintas piezas.



6. Insertar el anillo de prevención de caídas (D) en el pilar.
7. Insertar el brazo flexible (A) y apretar el tornillo de fijación. (Fig. 33)

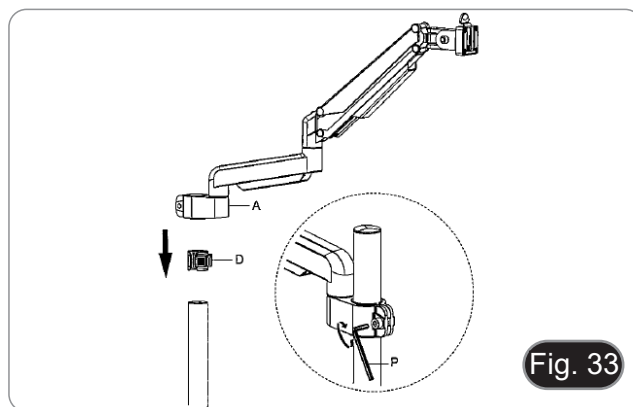


Fig. 33

8.9.2 Fijación a la mesa con agujero pasante

1. Realizar un orificio en la mesa donde se vaya a colocar el soporte.
2. Repetir el procedimiento descrito en el paso 1) del apartado 8.9.1.
3. Introducir el tornillo (I) en la placa de fijación (J).
4. Apretar la placa de fijación con los tres tornillos (S). (Fig. 34)
5. Fijar las patas de goma (N) al soporte de la mesa.

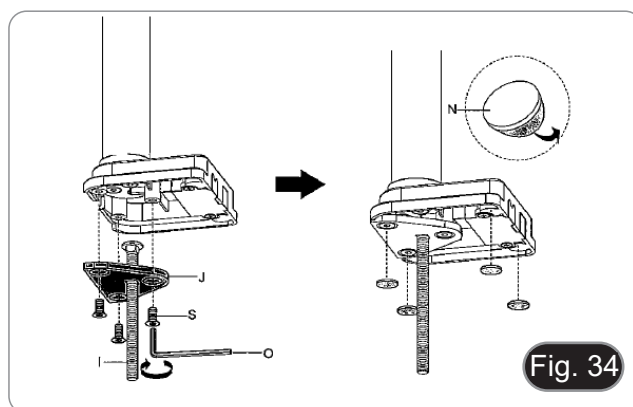


Fig. 34

6. Introducir el tornillo (I) en el orificio de la mesa.
7. Fijarlo con la placa de fijación (K), la arandela (L) y la tuerca (M).
8. Apretar la tuerca con la llave (Q). (Fig. 35)
9. Repetir el procedimiento descrito en los pasos 6) y 7) del apartado 8.9.1 para instalar el brazo flexible.

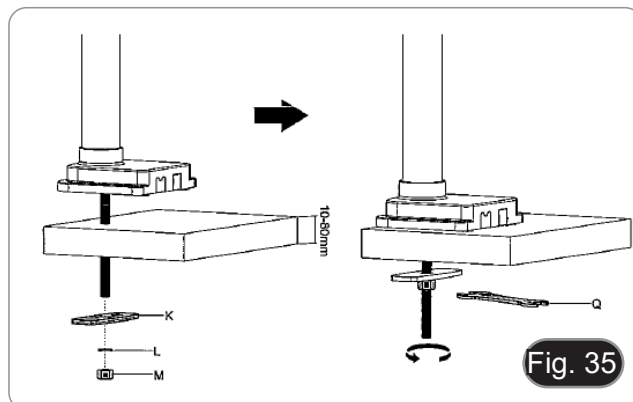


Fig. 35

10. Monte el sistema de foco en el brazo, utilizando los tornillos y la llave Allen suministrados. (Fig. 36)

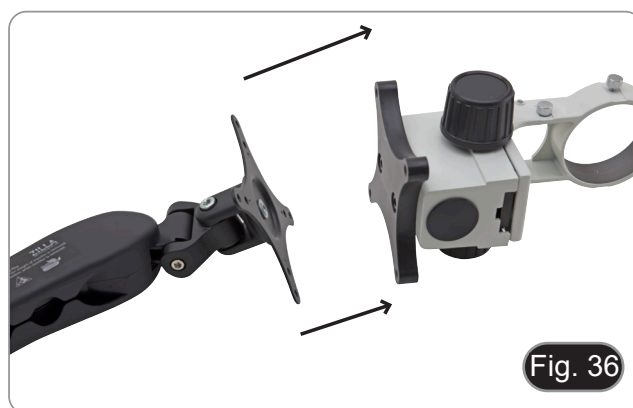


Fig. 36

8.10 Instalar el cabezal (todos los modelos)

Insertar la cabeza y asegurar el tornillo de bloqueo. (Fig. 37)



8.11 Instalar los oculares (todos los modelos)

1. Retirar las tapas de polvo del ocular e insertar los oculares en los portaoculares vacíos. (Fig. 38)
2. Fijar los oculares bloqueando los tornillos de fijación ①.

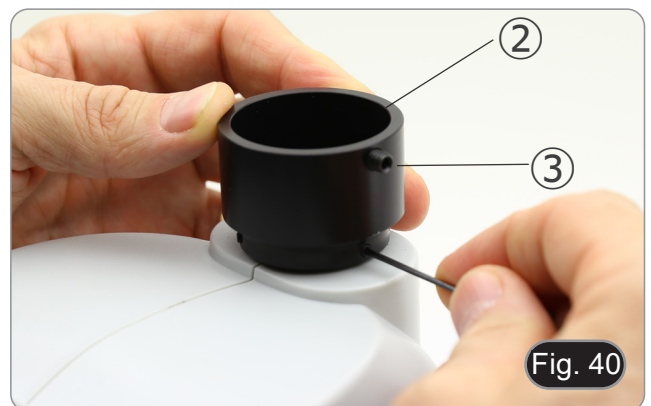


8.12 Instalación de la salida foto (SZX-T/TA)

1. Aflojar los tornillos de fijación ① de la salida de foto suministrada y retirar la salida de foto existente. (Fig. 39)



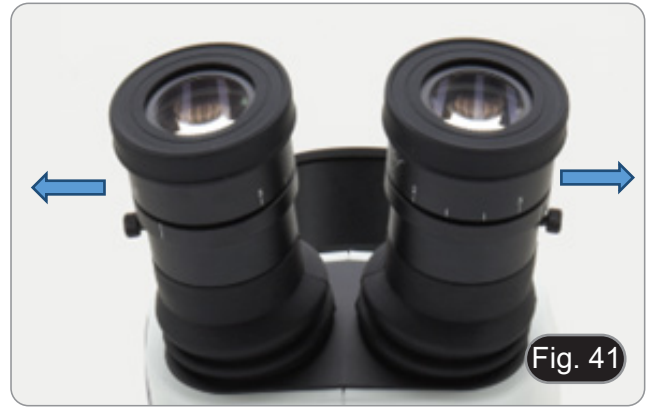
2. Insertar el anillo de la salida de foto ② asegurándose de dejar el tornillo de fijación del adaptador de foto ③ mirando hacia la derecha. (Fig. 40)
3. Apretar los tornillos de fijación ①. (Fig. 39)



9. Uso del microscopio

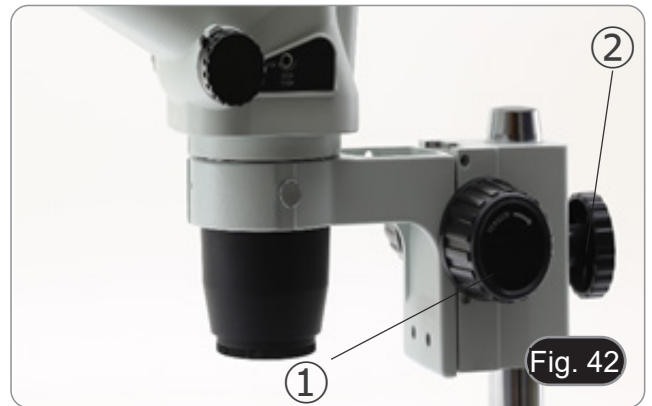
9.1 Regulación de la distancia interpupilar

1. Sujetar los portaoculares izquierdo y derecho con ambas manos y ajustar la distancia interpupilar moviendo los tubos hasta que sólo se observe una imagen. (Fig. 41)
 - Si miras dos imágenes, la distancia es demasiado grande.
 - Si miras dos círculos superpuestos, la distancia es demasiado pequeña.



9.2 Enfoque

1. Colocar la muestra a observar en la placa y enfocar con los mandos de enfoque ①.
 - Si es necesario, ajustar la altura del cuerpo del microscopio a lo largo de la columna vertical.
 - Bloquear el tornillo de bloqueo ② después de ajustar la altura. (Fig. 42)

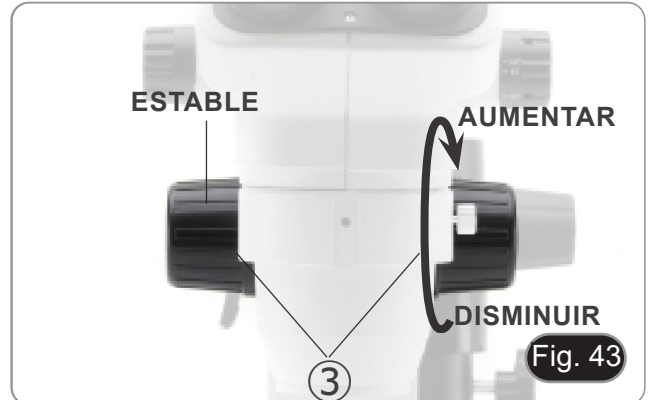


9.3 Ajustar de la tensión de los botones de enfoque

- Este ajustar le permite aumentar o disminuir la tensión de las perillas de enfoque, evitando un descenso no deseado del microscopio bajo su propio peso. Ajustar de la tensión justo por encima del punto de estabilidad del enfoque.

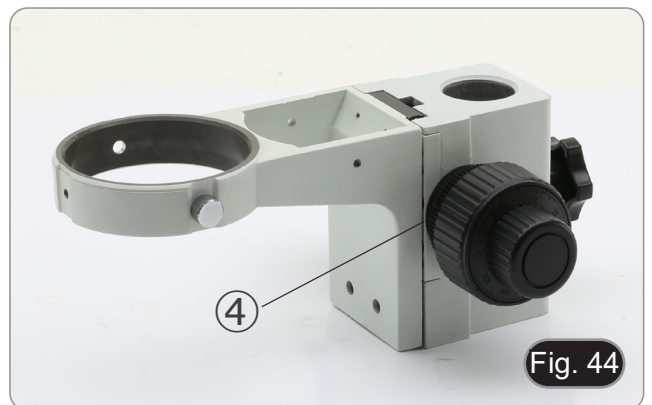
9.3.1 SZ-A1

1. Agarrar las perillas ③ con ambas manos y, mientras sostiene la perilla izquierda, girar la perilla derecha.
 - La tensión aumenta o disminuye en función del sentido de giro del botón derecho. (Fig. 43)



9.3.2 SZ-A6

1. Girar el anillo de ajustar ④ en el sentido de las agujas del reloj hasta que se alcance la tensión deseada.
 - Si lo gira en sentido contrario a las agujas del reloj, la tensión caerá, lo que provocará una pérdida de enfoque. (Fig. 44)



9.4 Compensación dioptrica

- **Esta compensación permite a las personas que llevan gafas ajustar el microscopio a sus ojos y utilizar el microscopio sin gafas.**

1. Poner el zoom ① en la ampliación más baja y enfocar el espécimen con los mandos de enfoque ②. (Fig. 45)
2. Poner el zoom en la ampliación máxima y repetir el enfoque.
3. Volver a la ampliación más baja: el espécimen estará desenfocado.



4. Ajustar el anillo de compensación de dioptrías del ocular derecho ③ (Fig. 46) hasta que la imagen del ocular derecho sea clara y nítida. Repetir el procedimiento para el ocular izquierdo.
5. A continuación, comprobar el enfoque de la imagen para todo el rango de zoom. Ahora debe ser perfectamente parfocal (el enfoque se mantiene siempre durante el cambio de aumento).



9.5 Aumento

1. Seleccionar la ampliación deseada ajustando el mando del zoom ①. (Fig. 47)
- Cambiar los oculares y/o añadir una lente adicional apropiada si es necesario.
 - **Serie SZO solamente:** El cuerpo del microscopio está equipado con una función de “click stop” que permite un aumento preciso (Fig. 47). El tope de clic puede activarse o desactivarse insertando la llave Allen suministrada en el orificio situado en el lado derecho del microscopio.



9.6 Uso de lentes adicionales

1. Atornillar la lente adicional deseada en el cuerpo del microscopio. (Fig. 48)
- Cada lente adicional tiene una distancia de trabajo específica.
 - La carrera del adaptador de enfoque no podía compensar las diferentes distancias de trabajo de los distintos objetivos adicionales.
 - En caso de que el soporte de enfoque no pueda enfocar la muestra, se debe elevar o bajar todo el cuerpo del microscopio.

La ampliación total utilizada se puede calcular como:
Ampliación del ocular * Ampliación del zoom * Ampliación del objetivo.



Serie SZX (0.67x - 4.5x / F.N. 22 mm)

Ocular	10x		15x		20x		25x	
Número de campo (mm)	22		16		12		9	
Objetivo	Aum. Total	Campo visual (mm)	Aum. Total	Campo visual (mm)	Aum. Total	Campo visual (mm)	Aum. Total	Campo visual (mm)
0.3X	2.01X-13.5X	109.45-16.30	3.02X-20.25X	79.60-11.85	4.02X-27X	59.70-8.89	5.03X-33.75X	44.78-6.67
0.5X	3.35X-22.5X	65.67-9.78	5.03X-33.75X	47.76-7.11	6.7X-45X	35.8-5.33	8.38X-56.25X	26.87-4.00
0.75X	5.03X-33.75X	43.78-6.52	7.54X-50.63X	31.84-4.74	10.05X-67.5X	23.88-3.56	12.56X-84.37X	17.91-2.67
1X	6.7X-45X	32.84-4.89	10.05X-67.5X	23.88-3.56	13.4X-90X	17.91-2.67	16.75X-112.5X	13.43-2.00
1.5X	10.05X-67.5X	21.89-3.26	15.08X-101.25X	15.92-2.37	20.1X-135X	11.94-1.78	25.13X-168.75X	8.96-1.33
2X	13.4X-90X	16.42-2.44	20.1X-135X	11.94-1.78	26.8X-180X	8.96-1.33	33.5X-225X	6.72-1.00

Serie SZX-A (0.65x - 5.5x / F.N. 23 mm)

Ocular	10x		15x		20x		25x	
Número de campo (mm)	23		16		12		9	
Objetivo	Aum. Total	Campo visual (mm)	Aum. Total	Campo visual (mm)	Aum. Total	Campo visual (mm)	Aum. Total	Campo visual (mm)
0.3X	1.95X-16.5X	117.95-13.94	2.93X-24.75X	82.05-9.70	3.9X-33X	61.54-7.27	4.88x-41.25x	46.15-5.45
0.5X	3.25X-27.5X	70.77-8.36	4.88X-41.25X	49.23-5.82	6.5X-55X	36.92-4.36	8.13x-68.75X	27.69-3.27
0.75X	4.88X-41.25X	47.18-5.58	7.31X-61.88X	32.82-3.88	9.75X-82.5X	24.62-2.91	12.19x-103.13X	18.46-2.18
1X	6.5X-55X	35.38-4.18	9.75X-82.5X	24.62-2.91	13X-110X	18.46-2.18	16.25X-137.5X	13.85-1.64
1.5X	9.75X-82.5X	23.59-2.79	14.63X-123.75X	16.41-1.94	19.5X-165X	12.31-1.45	24.38X-206.25X	9.23-1.09
2X	13X-110X	17.69-2.09	19.5X-165X	12.31-1.45	26X-220X	9.23-1.09	32.5X-275X	6.92-0.82

Serie SZO (0.67x - 4.5x / F.N. 23 mm)

Ocular	10x		15x		20x		25x	
Número de campo (mm)	23		16		12		9	
Objetivo	Aum. Total	Campo visual (mm)	Aum. Total	Campo visual (mm)	Aum. Total	Campo visual (mm)	Aum. Total	Campo visual (mm)
0.3X	2.01X-13.5X	114.43-17.04	3.02X-20.25X	79.60-11.85	4.02X-27X	59.70-8.89	5.03X-33.75X	44.78-6.67
0.5X	3.35X-22.5X	68.66-10.22	5.03X-33.75X	47.76-7.11	6.7X-45X	35.82-5.33	8.38X-56.25X	26.87-4.00
0.75X	5.03X-33.75X	45.77-6.81	7.54X-50.63X	31.84-4.74	10.05X-67.5X	23.88-3.56	12.56X-84.38X	17.91-2.67
1X	6.7X-45X	34.33-5.11	10.05X-67.5X	23.88-3.56	13.4X-90X	17.91-2.67	16.75X-112.5X	13.43-2.00
1.5X	10.05X-67.5X	22.89-3.41	15.08X-101.25X	15.92-2.37	20.1X-135X	11.94-1.78	25.13X-168.75X	8.96-1.33
2X	13.4X-90X	17.16-2.56	20.1X-135X	11.94-1.78	26.8X-180X	8.96-1.33	33.5X-225X	6.72-1.00

9.7 Uso de lentes adicionales 0.3X-0.5X

Los objetivos adicionales 0.3X y 0.5X tienen una gran distancia de trabajo y, por lo tanto, la carrera total de la columna de enfoque no puede compensarse.

Para que los objetivos adicionales 0.3X y 0.5X funcionen correctamente, proceder de la siguiente manera:

1. Atornillar la lente adicional como se describe en el apartado 9.6.
2. Quitar el cuerpo del microscopio del soporte.
3. Instalar el espaciador ① en el soporte de cabeza y apretar el tornillo de fijación ②. (Fig. 49)
4. Volver a montar el cuerpo del microscopio en el espaciador y apretar el tornillo de fijación ③. (Fig. 50)
5. Empezar a trabajar normalmente.



9.8 Placa blanco/negro (SZ-ST1 / 2 / 3 / 7 / 8)

- Se puede utilizar un disco de contraste de banco/negro para aumentar el contraste de la imagen cuando trabaje con luz incidente.
1. Retirar el disco opalino transparente utilizado en la luz transmitida.
 2. Insertar el disco blanco/negro con el lado deseado hacia arriba. (Fig. 51)
- Si se observan muestras claras, colocar el disco con la parte negra hacia arriba.



9.9 Uso de la iluminación (SZ-ST2 / 3 / 7 / 8)

1. Girar la perilla de luz transmitida ② para encender/apagar o para cambiar la intensidad del LED de luz transmitida. (Fig. 52)
 2. Girar la perilla de luz incidente ① para encender/apagar o para cambiar la intensidad del LED de luz incidente.
- Es posible utilizar ambas iluminaciones al mismo tiempo.



Sólo para SZ-ST7 / SZ-ST8:

- Inclinar y posicionar los brazos autoportantes de la base ③ para iluminar la muestra de forma óptima. (Fig. 53)
- Los brazos se pueden colocar individualmente en la posición deseada.



9.10 Uso de la iluminación (SZ-OBL)

1. Girar la perilla de luz transmitida ① para encender/apagar o para cambiar la intensidad del LED de luz transmitida. (Fig. 54)
 2. Girar el mando de rotación del espejo ② para inclinar el espejo hasta obtener la iluminación oblicua deseada.
- El espejo tiene una superficie lisa y otra moleteada. Las dos superficies permiten optimizar la observación proporcionando un contraste adecuado en función de la muestra a observar.



9.11 Uso de protectores de goma (SZO-B / T)

• Uso con gafas

Doblar hacia atrás los protectores oculares de goma con ambas manos. Los protectores oculares plegados evitan arañar las lentes de las gafas. (Fig. 55)



- **Uso sin gafas**

Levantar los protectores oculares y observar en el microscopio colocando los ojos lo más cerca posible sobre los oculares, evitando que penetre luz externa. (Fig. 56)



9.12 Uso de bases en voladizo

9.12.1 SZ-STL1

Mover el brazo horizontal

1. Aflojar las perillas del lado derecho del brazo horizontal ①. (Fig. 57)
2. El brazo puede ser extendido o acortado de acuerdo a las necesidades específicas. (Fig. 58)



Cambiar el ángulo del cabezal

1. Aflojar los tornillos ① y girar la cabeza al ángulo deseado (derecha o izquierda), luego apretar el tornillo de fijación. (Fig. 59)



Girar el brazo horizontal

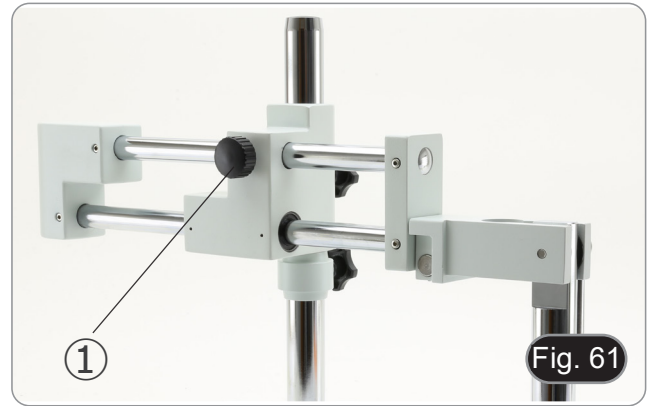
1. Aflojar el tornillo de fijación del brazo horizontal ② y girar el brazo, luego apretar el tornillo de fijación. (Fig. 60)
- **NOTA:** Girar el microscopio 180° desde la base puede causar que todo el sistema se vuelque.



9.12.2 SZ-STL2

Mover el brazo horizontal

1. Aflojar la perilla del lado izquierdo del brazo horizontal ①. (Fig. 61)



2. El brazo puede ser extendido o acortado de acuerdo a las necesidades específica. (Fig. 62)



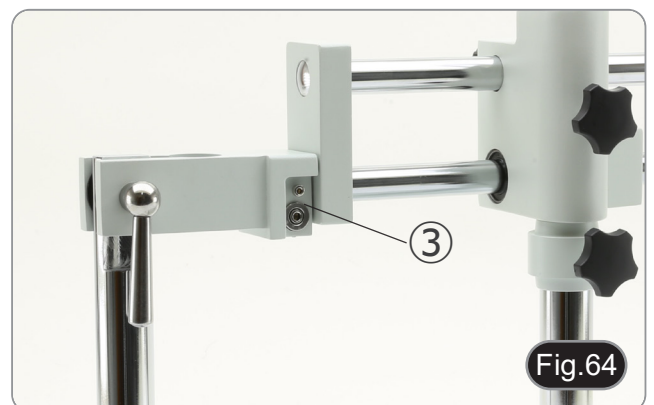
Inclinar el soporte de la cabeza

1. Aflojar el botón ② (Fig. 63) en el lado derecho del soporte. El brazo basculante vertical se puede mover. Una vez alcanzado el ángulo deseado, apretar el mando.



Cambiar el ángulo del cabezal

1. Aflojar el tornillo de fijación ③ y girar la cabeza al ángulo deseado (derecha o izquierda), luego apretar el tornillo de fijación. (Fig. 64-65)





Girar el brazo horizontal

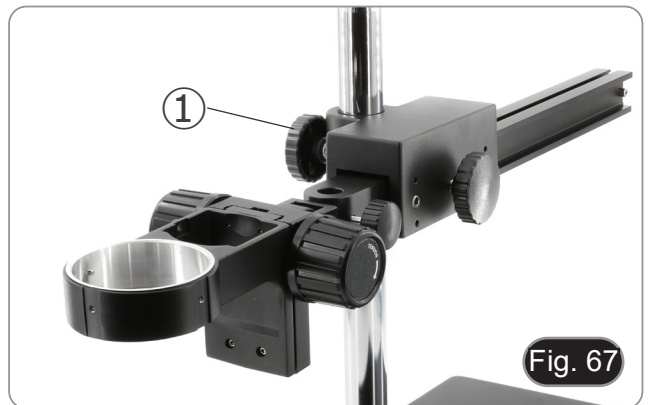
1. Aflojar el tornillo de fijación del brazo horizontal ④ y girar el brazo, luego apretar el tornillo de fijación. (Fig. 66)
- **NOTA:** Girar el microscopio 180° desde la base puede causar que todo el sistema se vuelque.



9.12.3 SZ-STLX

Mover el brazo horizontal

1. Aflojar las perillas del lado derecho del brazo horizontal ①. (Fig. 67)
2. El brazo puede ser extendido o acortado de acuerdo a las necesidades específica. (Fig. 68)



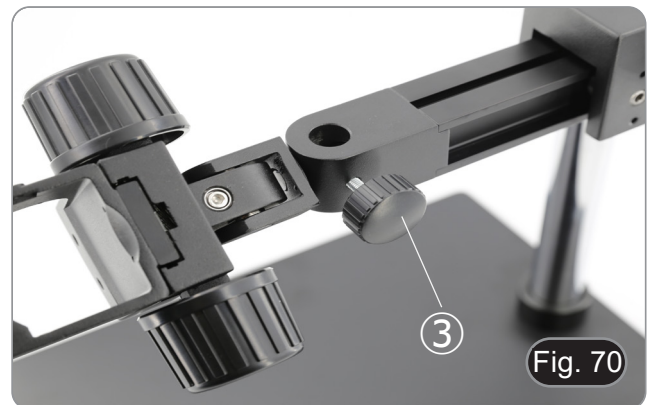
Inclinar el soporte de la cabeza

1. Aflojar el tornillo de cabeza cilíndrica ② (Fig. 69) en la parte superior del soporte de cabeza.
2. La parte negra se puede mover. Una vez alcanzado el ángulo deseado, volver a apretar el tornillo.



Cambiar el ángulo del cabezal

1. Desbloquear el pomo de fijación ③ y girar el cabezal hasta el ángulo de giro deseado (izquierda o derecha), luego volver a apretar el pomo. (Fig. 70-71)



Girar el brazo horizontal

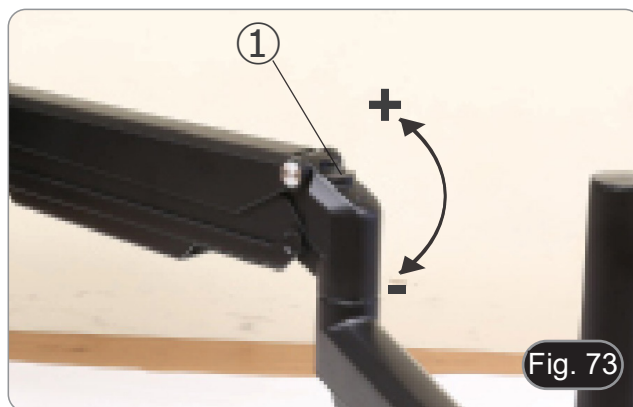
1. Aflojar la perilla de fijación del brazo horizontal ④ y girar el brazo, luego volver a apretar la perilla. (Fig. 72)
- **NOTA:** Girar el microscopio 180° desde la base puede causar que todo el sistema se vuelque.



9.12.4 SZ-STL5 / SZ-STL5A6 / SZ-STL5LED

Ajustar la tensión del brazo horizontal

- Si el brazo horizontal tiende a caer automáticamente, puede ser necesario ajustar la tensión para adaptarla al peso total del sistema.
1. Con una llave Allen de 6 mm (P) apretar el tornillo ① para aumentar la resistencia del soporte del brazo horizontal. (Fig. 73)
- La rotación en sentido antihorario aumenta la tensión, mientras que la rotación en sentido horario la reduce.



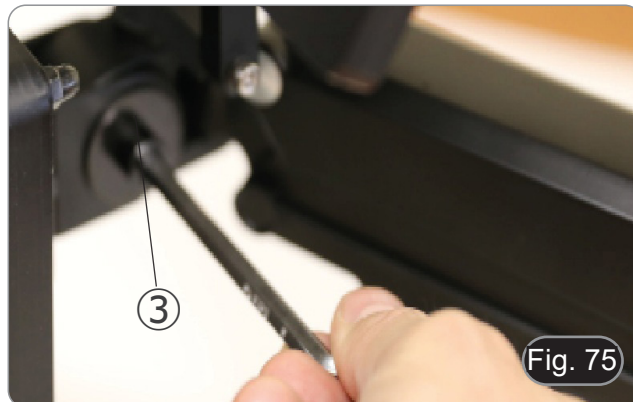
Girar la cabeza

- La cabeza se puede girar horizontalmente.
1. Con una llave Allen de 6 mm (P) aflojar el tornillo ②, girar la cabeza en la posición deseada y luego apretar el tornillo. (Fig. 74)



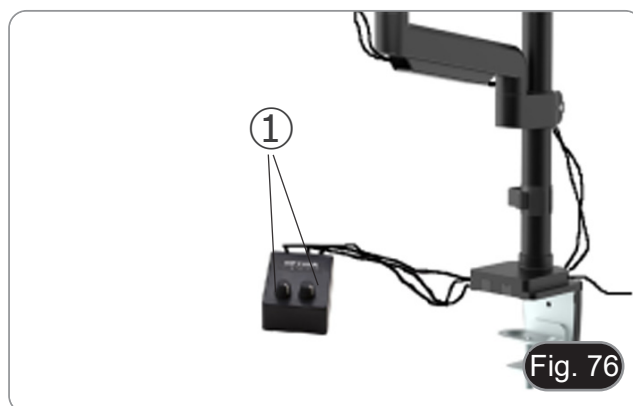
Inclinar la cabeza

1. Usando la llave Allen de 6mm (P) aflojar el tornillo ③, inclinar la cabeza en la posición deseada y luego apretar el tornillo. (Fig. 75)



Ajustar del brillo (solo SZ-STL5LED)

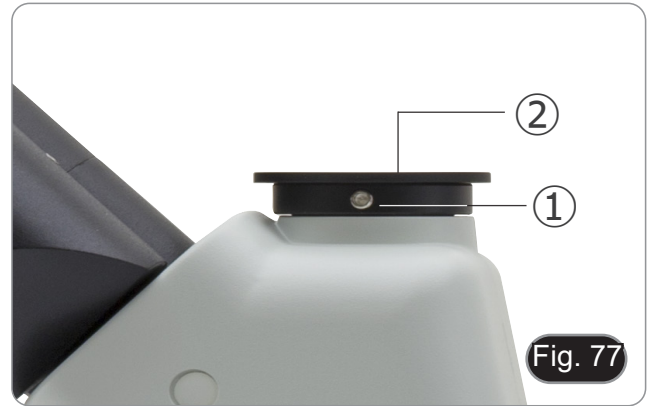
Girar los mandos de ajustar de la intensidad de la luz ① para encender/apagar y para aumentar/disminuir la intensidad de la luz de cada brazo LED individual. (Fig. 76)



10. Microfotografía

10.1 Uso de cámaras de paso "C"

1. Aflojar el tornillo ① del tubo trinocular y quitar la tapa negra ②. (Fig. 77)



2. Colocar el adaptador paso C a la cámara ④ e insertar el conjunto sobre el puerto trinocular, luego sujetarlo con el tornillo para que no se caiga ①. (Fig. 78)



10.2 Uso de cámara Reflex

1. Insertar el adaptador de la cámara Reflex ① al tubo del microscopio ②.
2. Atornillar el aro "T2" ③ (no lo suministrada) al cuerpo de la cámara Reflex.
3. Conectar la cámara al aro "T2" ④. (Fig. 79)
4. Montar el extremo del tubo de conexión ② en el orificio vacío del tubo trinocular y apretar el tornillo de Apretar. (Fig. 77)
 - El aro "T2" no se suministra con el microscopio pero se encuentra fácilmente en una tienda de fotografía.
 - Mientras toma muestras oscuras, tapar los oculares y el visor con un paño oscuro para minimizar la luz difusa.
 - Para calcular la ampliación de la cámara: aumento objetivo * aumento de la cámara * aumento de la lente.
 - **Si usa una cámara SLR, el movimiento al apretar el botón para tomar una foto puede hacer que la cámara vibre.**
 - **Sugerimos utilizar la opción de extensión del tiempo de exposición y un cable remoto.**



11. Mantenimiento

Ambiente de trabajo

Se aconseja utilizar este microscopio en un ambiente limpio y seco; también se deben evitar los impactos. La temperatura de trabajo recomendada es de 0-40°C y la humedad relativa máxima es de 85 % (en ausencia de condensación). Si es necesario, utilizar un deshumidificador.

Consejos antes y después de la utilización del microscopio



- Durante los desplazamientos, mantener el microscopio en posición vertical y prestar mucha atención para evitar que se caigan los accesorios móviles, por ejemplo, los oculares.
- Manejar con cuidado el microscopio evitando usar una fuerza mayor de la necesaria.
- Evitar reparar el microscopio por su cuenta.
- Apagar la luz inmediatamente después de haber utilizado el microscopio, cubrirlo con su correspondiente funda antipolvo y mantenerlo en un ambiente limpio y seco.

Precauciones de seguridad relativas al sistema eléctrico



- Antes de conectar el microscopio a la toma de corriente, asegurarse que la tensión de entrada del lugar donde se usa coincide con la tensión de utilización del microscopio y que el interruptor del iluminador esté en la posición off.
- El usuario debe consultar las normas de seguridad de su país.
- El instrumento está dotado de una etiqueta de seguridad CE. No obstante estas pautas, el usuario debería utilizar el microscopio en función de sus necesidades pero con un mínimo de responsabilidad y seguridad.

Limpieza de la ópticas

- Si es necesario limpiar los componentes ópticos utilizar, en primer lugar, aire comprimido.
- Si no es suficiente, limpiar las ópticas con un paño, que no esté deshilachado, humedecido en agua y detergente neutro.
- Si todavía no es suficiente, humedecer un paño con una mezcla de 3 partes de etanol y 7 partes de éter.
- **Importante: el etanol y el éter son líquidos altamente inflamables. No se deben utilizar cercanos a una fuente de calor, chispas o instrumentación eléctrica. Utilizar en un ambiente bien aireado.**
- No frotar la superficie de ningún componente óptico con la manos. Las huellas digitales pueden dañar las ópticas.
- No desmontar los objetivos o los oculares para intentar limpiarlos.

Para obtener mejores resultados, utilice el kit de limpieza OPTIKA (véase el catálogo).

Si fuera necesario, enviar el microscopio a la empresa Optika para su mantenimiento se ruega utilizar el embalaje original.

12. Guía de solución de problemas

Revisar la información en la tabla a continuación para solucionar problemas de funcionamiento.

PROBLEMA	CAUSA	SOLUCIÓN
I. Sección Óptica:		
El iluminador está encendido, pero el campo visible está oscuro	El enchufe no está conectado al sistema de iluminación	Conectar
	La luminosidad es demasiado baja	Regular la luminosidad
El borde del campo visible se ha difuminado o a luminosidad es asimétrica	El iluminador de luz incidente no está orientado correctamente	Cambiar el ángulo del iluminador incidente
En el campo visible se ve polvo y manchas	Hay polvo y/o manchas en la preparación	Limpiar el preparado
	Hay polvo y/o manchas en el ocular	Limpiar el ocular
La calidad de las imágenes es insuficiente: <ul style="list-style-type: none"> • La imagen no es nítida • No hay un buen contraste • Los detalles no son nítidos • Reflejos en la imagen 	Los lentes (objetivos, oculares) están sucios	Limpiar todos los componentes ópticos a fondo
Un lado de la imagen no está enfocado	El preparado no está en la posición correcta (ej. inclinado)	Situar el preparado horizontal al plano
II. Sección Mecánica:		
El mando macrométrico gira con dificultad	El anillo de regulación de la tensión está demasiado cerrado	Aflojar el anillo de regulación de la tensión
El enfoque es inestable	El anillo de regulación de la tensión está demasiado flojo	Apretar el anillo de regulación de la tensión
III. Sección Eléctrica:		
El LED no se enciende	El instrumento no tiene alimentación	Verificar la conexión del cable de alimentación
La luminosidad es insuficiente	La luminosidad posee una baja regulación	Ajustar el brillo
La luz parpadea	El cable de alimentación no está conectado correctamente	Verificar la conexión del cable
IV. Tubo de Observación:		
El campo visible es diverso en cada ojo	La distancia interpupilar no es correcta	Regular la distancia interpupilar
	La compensación dioptrica no es correcta	Regular la compensación dioptrica
	La técnica de observación no es correcta y el usuario está forzando la vista	Cuando se mira en el objetivo, no fijar el preparado pero mirar todo el campo visible. A intervalos regulares alejar los ojos del objetivo y mirar desde lejos para relajar la vista
V. Microfotografía y adquisición de videos:		
El borde de la imagen no está enfocado	En un cierto grado esto es innato a la naturaleza de los objetivos acromáticos	Para reducir el problema al mínimo, regular el diafragma de apertura en la posición correcta
En la imagen aparecen manchas claras	En el microscopio entra luz difusa a través de los oculares o a través de la mira de la cámara fotográfica/telecámara	Cubrir los oculares y la mira con un paño oscuro

Medidas ecológicas y reciclaje

De conformidad con el artículo 13 del Decreto Legislativo N° 151, de 25 de julio de 2005. "Aplicación de las Directivas 2002/95/CE, 2002/96/CE y 2003/108/CE sobre la reducción del uso de sustancias peligrosas en aparatos eléctricos y electrónicos y la eliminación de residuos.



El símbolo del envase en el aparato o en su embalaje indica que el producto debe ser recogido separadamente de otros residuos al final de su vida útil. La recogida selectiva de estos equipos al final de su vida útil es organizada y gestionada por el fabricante. Por lo tanto, el usuario que desee deshacerse de este equipo debe ponerse en contacto con el fabricante y seguir el sistema que ha adoptado para permitir la recogida selectiva del equipo al final de su vida útil. La recogida selectiva adecuada para el posterior reciclado, tratamiento y eliminación de los equipos desechados de forma compatible con el medio ambiente contribuye a evitar posibles efectos negativos sobre el medio ambiente y la salud y promueve la reutilización y/o el reciclado de los materiales que componen el equipo. La eliminación ilegal del producto por parte del propietario conlleva la aplicación de las sanciones administrativas previstas en la legislación vigente.

OPTIKA® S.r.l.

Via Rigla, 30 - 24010 Ponteranica (BG) - ITALY Tel.: +39 035.571.392
info@optikamicroscopes.com - www.optikamicroscopes.com

OPTIKA® Spain

spain@optikamicroscopes.com

OPTIKA® USA

usa@optikamicroscopes.com

OPTIKA® China

china@optikamicroscopes.com

OPTIKA® India

india@optikamicroscopes.com

OPTIKA® Central America

america@optikamicroscopes.com

Série SZ

MANUEL D'UTILISATION

Modèle	
SZ-A1	SZ-A6
SZX-B	SZX-T
SZX-BA	SZX-TA
SZO-B	SZO-T
SZ-ST1	SZ-ST2
SZ-ST3	SZ-ST7
SZ-ST8	SZ-OBL
ST-150	ST-152
SZ-STL1	SZ-STL2
SZ-STL3X	SZ-STL5
SZ-STL5A6	SZ-STL5LED

Ver. 2.6 2025



Sommaire

1.	Avertissement	154
2.	Précautions	154
3.	Contenu de l'emballage	155
3.1	SZX-B / SZX-T / SZX-BA / SZX-TA	155
3.2	SZO-B / SZO-T	156
3.3	SZ-A1	156
3.4	SZ-A6	157
3.5	ST-150	157
3.6	ST-152	158
3.7	SZ-ST1	158
3.8	SZ-ST2 / SZ-ST3	159
3.9	SZ-ST7 / SZ-ST8	159
3.10	SZ-OBL	160
3.11	SZ-STL1	160
3.12	SZ-STL2	161
3.13	SZ-STL3X	161
3.14	SZ-STL5 / SZ-STL5A6	162
3.15	SZ-STL5LED	163
4.	Déballage	164
5.	Emploi prévu	164
6.	Symboles	164
7.	Description de l'instrument	165
7.1	Diagramme de Système	165
7.2	SZX-B / SZX-T / SZX-BA / SZX-TA	166
7.3	SZO-B / SZO-T	166
7.4	SZ-A1	167
7.5	SZ-A6	167
7.6	ST-150	168
7.7	ST-152	168
7.8	SZ-ST1	169
7.9	SZ-ST2 / SZ-ST3	169
7.10	SZ-ST7 / SZ-ST8	170
7.11	SZ-OBL	170
7.12	SZ-STL1	171
7.13	SZ-STL2	171
7.14	SZ-STL3X	172
7.15	SZ-STL5 / SZ-STL5A6	172
7.16	SZ-STL5LED	173
8.	Assemblage	174
8.1	SZ-A1 / SZ-A6	174
8.2	SZ-ST1 / ST-150	174
8.3	ST-152	174
8.4	SZ-ST2 / SZ-ST3	174
8.5	SZ-ST7 / SZ-ST8 / SZ-OBL	175
8.6	SZ-STL1	175
8.7	SZ-STL2	178
8.8	SZ-STL3X	180
8.9	SZ-STL5 / SZ-STL5A6 / SZ-STL5LED	182
8.9.1	Fixation de la table à l'aide d'une pince	182
8.9.2	Fixation de la table avec trou de passage	183
8.10	Installer la tête (tous les modèles)	184
8.11	Installer les oculaires (tous les modèles)	184
8.12	Installer la sortie photo (SZX-T / TA)	184
9.	Utilisation du microscope	185
9.1	Ajuster la distance interpupillaire	185
9.2	Mise au point	185
9.3	Réglage de la tension des boutons de mise au point	185
9.3.1	SZ-A1	185
9.3.2	SZ-A6	185
9.4	Compensation dioptrique	186
9.5	Grossissement	187
9.6	Utilisation d'un objectif supplémentaire	187

9.7	Utilisation d'un objectif supplémentaire 0.3X-0.5X	188
9.8	Plaque noir/blanc (SZ-ST1 / 2 / 3 / 7 / 8)	188
9.9	Utilisation de l'illumination (SZ-ST2 / 3 / 7 / 8)	189
9.10	Utilisation de l'illumination (SZ-OBL)	189
9.11	Utilisation des Œillères en caoutchouc (SZO-B / T)	189
9.12	Utilisation d'une base en surplomb	191
9.12.1	SZ-STL1	191
9.12.2	SZ-STL2	192
9.12.3	SZ-STL3X	193
9.12.4	SZ-STL5 / SZ-STL5A6 / SZ-STL5LED	195
10.	Microphotographie	196
10.1	Utilisation des caméras avec monture "C"	196
10.2	Utilisation des caméras Reflex	196
11.	Réparation et entretien	197
12.	Guide résolution des problèmes	198
	Ramassage	199

1. Avertissement

Le présent microscope est un appareil scientifique de précision créé pour offrir une durée de vie de plusieurs années avec un niveau d'entretien minimum. Les meilleurs composants optiques et mécaniques ont été utilisés pour sa conception ce qui fond de lui un appareil idéal pour une utilisation journalière.

Ce guide contient des informations importantes sur la sécurité et l'entretien du produit et par conséquent il doit être accessible à tous ceux qui utilisent cet instrument.

Nous déclinons toute responsabilité quant à des utilisations de l'instrument non conformes au présent manuel.

2. Précautions



Éviter choc électrique

Avant de connecter le câble d'alimentation au réseau électrique assurez vous que la tension d'entrée soit compatible avec celle de l'appareil et que l'interrupteur de l'éclairage soit en position arrêt. L'utilisateur devra consulter les normes de sécurité de son pays. L'appareil inclût une étiquette de sécurité C.E. Dans tous les cas, l'utilisateur assume toute responsabilité relative à l'utilisation sûre de l'appareil. Suivre les directives ci-dessous et lire ce manuel dans son intégralité pour un fonctionnement sûr de l'instrument.

3. Contenu de l'emballage

3.1 SZX-B / SZX-T / SZX-BA / SZX-TA



① Corps du microscope

• SZX-B/BA Binoculaire / SZX-T/TA Trinoculaire

② Oculaires

③ Clés Allen (seulement SZX-T/TA)

④ Housse de protection

⑤ Bague de sortie photo (seulement SZX-T/TA)

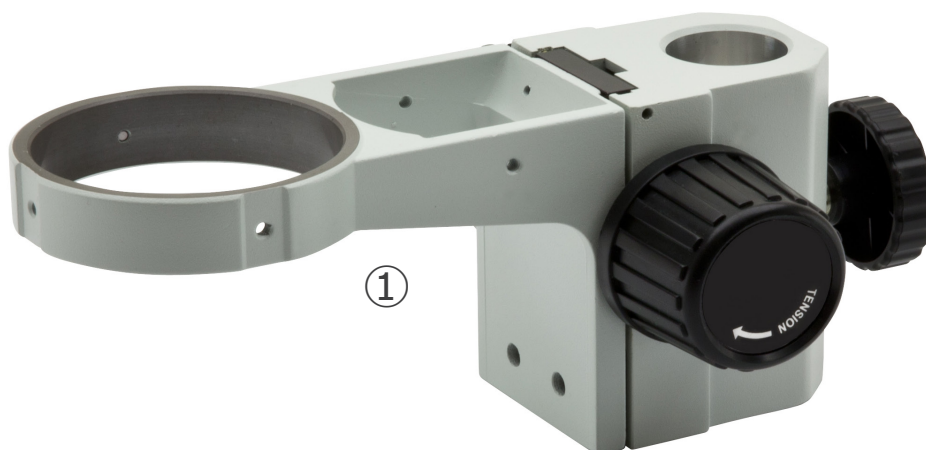
3.2 SZO-B / SZO-T



- ① Corps du microscope
 - SZO-B Binoculaire / SZO-T Trinoculaire
- ② Oculaires

- ③ Clés Allen (seulement SZX-T/TA)
- ④ Housse de protection

3.3 SZ-A1



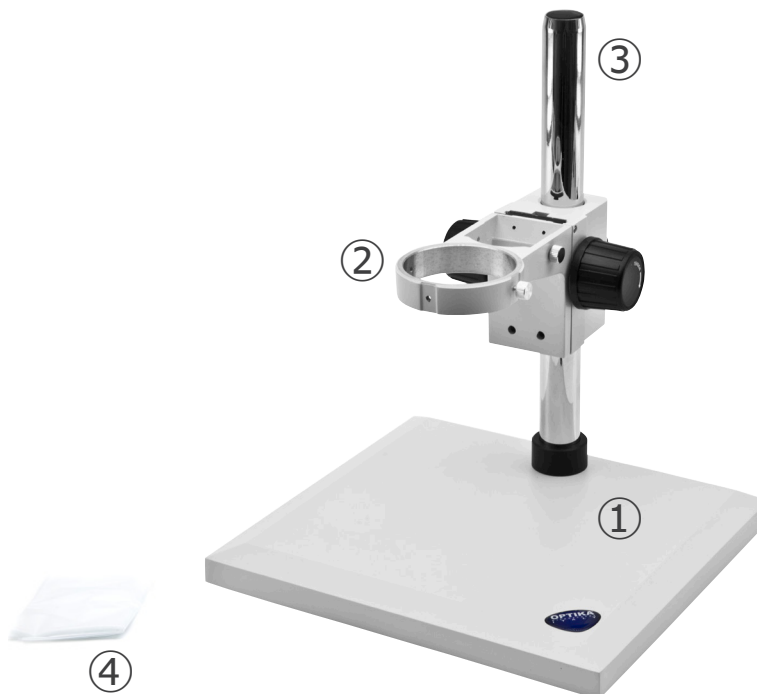
- ① Mise au point macro

3.4 SZ-A6



① Mise au point macro/micro

3.5 ST-150



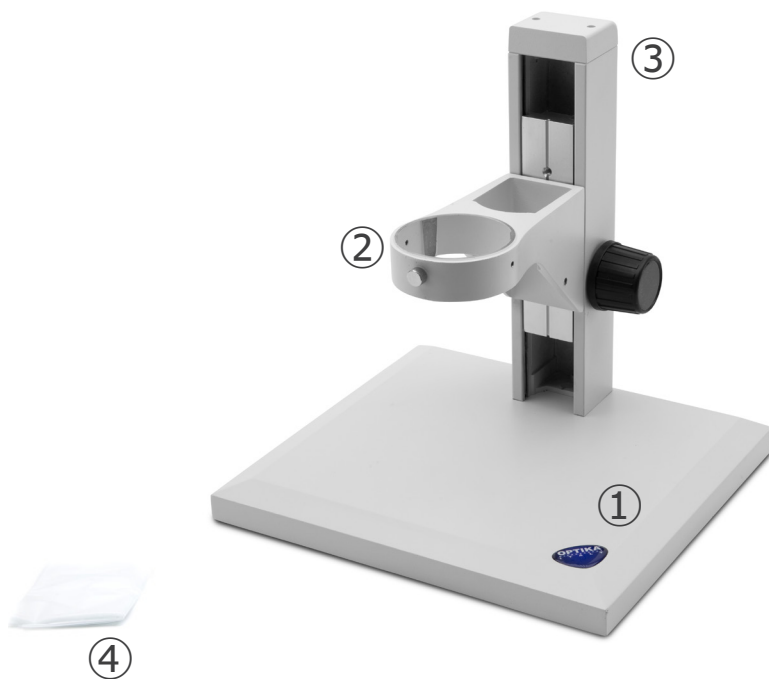
① Base

② Support de tête / système de mise au point

③ Pilier

④ Housse de protection

3.6 ST-152



① Base

② Support de tête / système de mise au point

③ Pilier

④ Housse de protection

3.7 SZ-ST1



① Base

② Clips de échantillon (un couple)

③ Disque blanc / noir

3.8 SZ-ST2 / SZ-ST3



- ① Base
- ② Disque opaline
- ③ Clips de échantillon (un couple)
- ④ Illuminateur de lumière incidente
- ⑤ Disque blanc / noir
- ⑥ Alimentation électrique

3.9 SZ-ST7 / SZ-ST8



- ① Base
- ② Disque opaline
- ③ Clips de échantillon (un couple)
- ④ Disque blanc / noir
- ⑤ Alimentation électrique

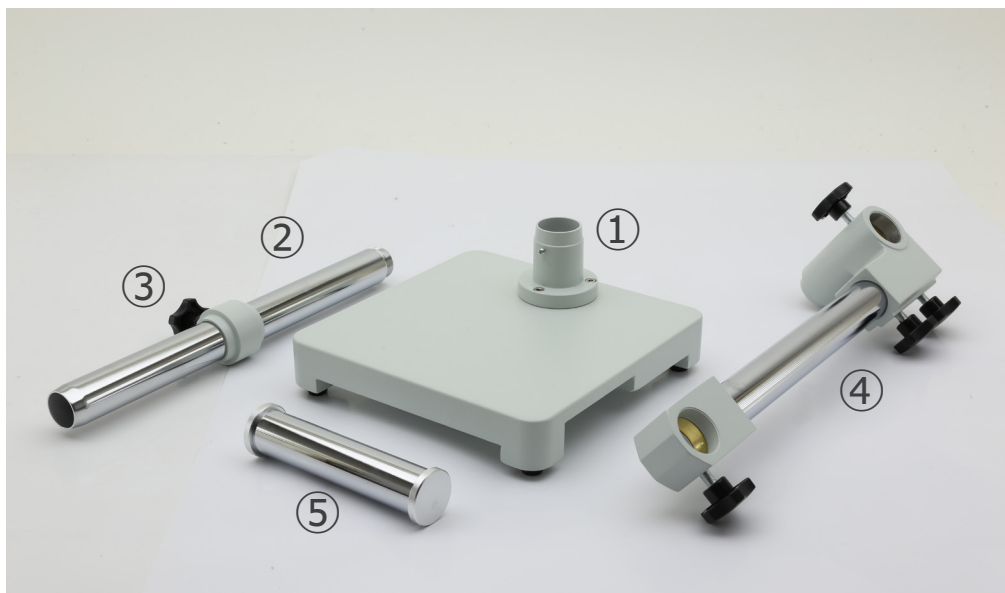
3.10 SZ-OBL



- ① Base
- ② Pilier
- ③ Plaque en verre

- ④ Alimentation
- ⑤ Housse de protection

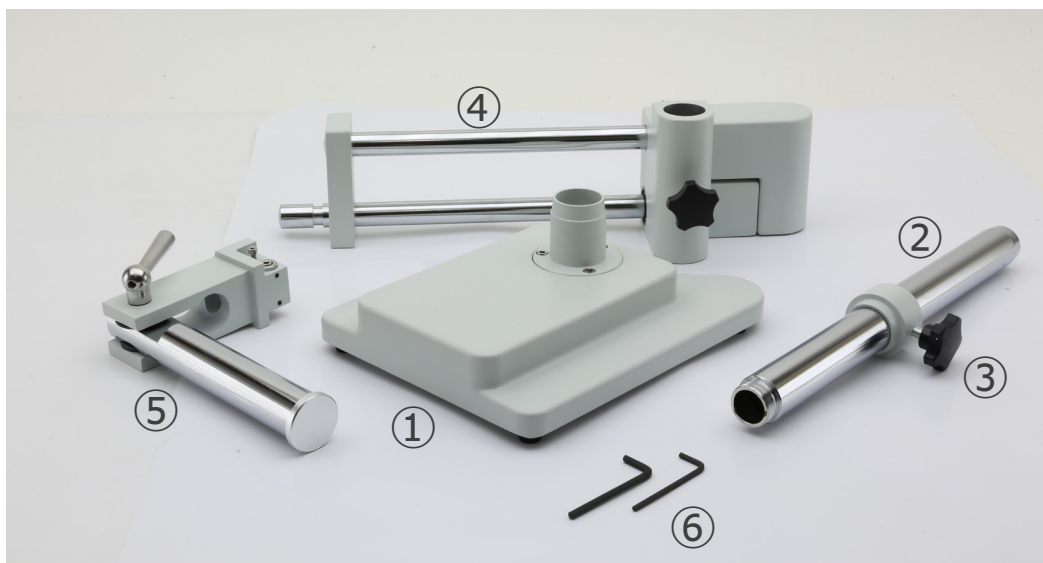
3.11 SZ-STL1



- ① Base
- ② Pilier
- ③ Anneau de prévention de descente

- ④ Bras horizontal
- ⑤ Bras de support du mise au point

3.12 SZ-STL2



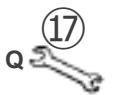
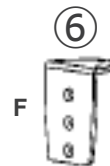
- ① Base
- ② Pilier
- ③ Anneau de prévention de descente
- ④ Bras horizontal
- ⑤ Bras de support du mise au point
- ⑥ Clés Allen

3.13 SZ-STL3X



- ① Base
- ② Pilier
- ③ Bras horizontal
- ④ Anneau de prévention de descente
- ⑤ Mise au point
- ⑥ Clés Allen

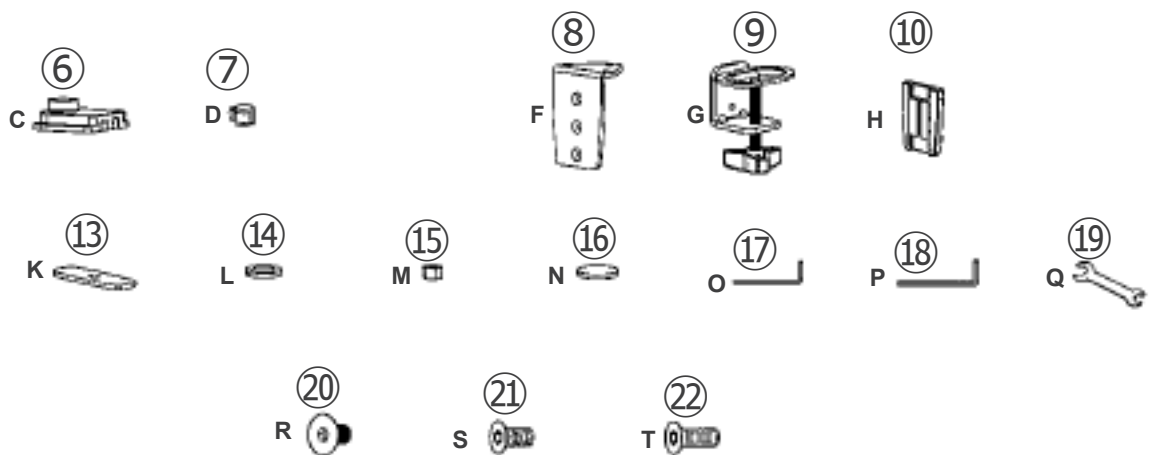
3.14 SZ-STL5 / SZ-STL5A6



- ① Pilier
- ② Bras horizontal
- ③ Support de tête / système de mise au point
 - SZ-STL5: macro
 - SZ-STL5A6: macro/micro
- ④ Pince de table (C)
- ⑤ Bague anti-chute / porte-câble (D)
- ⑥ Support de pince (F)
- ⑦ Pince (G)
- ⑧ Couvercle en plastique (H)
- ⑨ Vis pour le montage à travers le trou (I)

- ⑩ Plaque de fixation (J)
- ⑪ Plaque de fixation (K)
- ⑫ Rondelle (L)
- ⑬ Écrou (M)
- ⑭ Patins en caoutchoucs (4pcs) (N)
- ⑮ Clé Allen 4mm (O)
- ⑯ Clé Allen 6mm (P)
- ⑰ Clé de serrage (Q)
- ⑱ Vis M6x10 (2pcs) (R)
- ⑲ Vis M6x12 (3pcs) (S)
- ⑳ Vis M6x16 (3pcs) (T)

3.15 SZ-STL5LED



- | | |
|--|-----------------------------------|
| ① Pilier | ⑫ Plaque de fixation (J) |
| ② Bras horizontal | ⑬ Plaque de fixation (K) |
| ③ Support de tête / système de mise au point | ⑭ Rondelle (L) |
| ④ Bras autoportants LED | ⑮ Écrou (M) |
| ⑤ Contrôle de l'éclairage avec alimentation électrique | ⑯ Patins en caoutchouc (4pcs) (N) |
| ⑥ Pince de table (C) | ⑰ Clé Allen 4mm (O) |
| ⑦ Bague anti-chute / porte-câble (D) | ⑱ Clé Allen 6mm (P) |
| ⑧ Support de pince (F) | ⑲ Clé de serrage (Q) |
| ⑨ Pince (G) | ⑳ Vis M6x10 (2pcs) (R) |
| ⑩ Couvercle en plastique (H) | ㉑ Vis M6x12 (3pcs) (S) |
| ⑪ Vis pour le montage à travers le trou (I) | ㉒ Vis M6x16 (3pcs) (T) |

4. Déballage

Le microscope est emballé dans du polystyrène expansé. Enlever le ruban adhésif et retirer la partie supérieure de l'emballage. Retirer soigneusement le microscope et ses composants de l'emballage, utiliser les deux mains pour éviter de faire tomber et de casser les accessoires qu'il contient. L'appareil doit toujours être posé sur une surface stable, lisse et horizontale.



Éviter de toucher les éléments optiques; salir ou laisser des traces de doigts, de l'huile, de graisse ou d'autres résidus sur les objectifs, les filtres, les verres diminuent généralement la clarté d'image.

5. Emploi prévu

Modèles standard

Réservé à la recherche et à l'enseignement. Ne pas utiliser à des fins thérapeutiques ou diagnostiques, animales ou humaines.

Modèles de DIV

Également à usage diagnostique, visant à obtenir des informations sur la situation physiologique ou pathologique du sujet.

6. Symboles

Le tableau suivant est un glossaire illustré des symboles qui sont utilisés dans ce manuel.



ATTENTION

Ce symbole indique un risque potentiel et vous avertit de procéder avec prudence.



CHOC ÉLECTRIQUE

Ce symbole indique un risque de choc électrique.

7. Description de l'instrument

7.1 Diagramme de Système



7.2 SZX-B / SZX-T / SZX-BA / SZX-TA



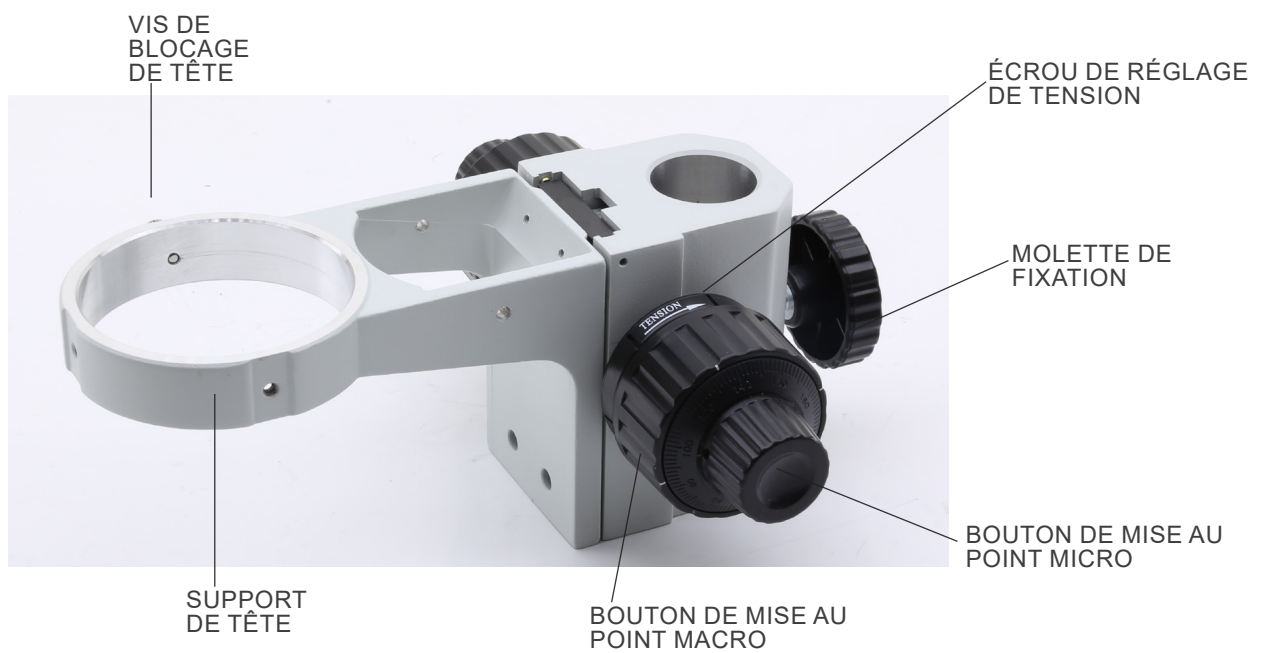
7.3 SZO-B / SZO-T



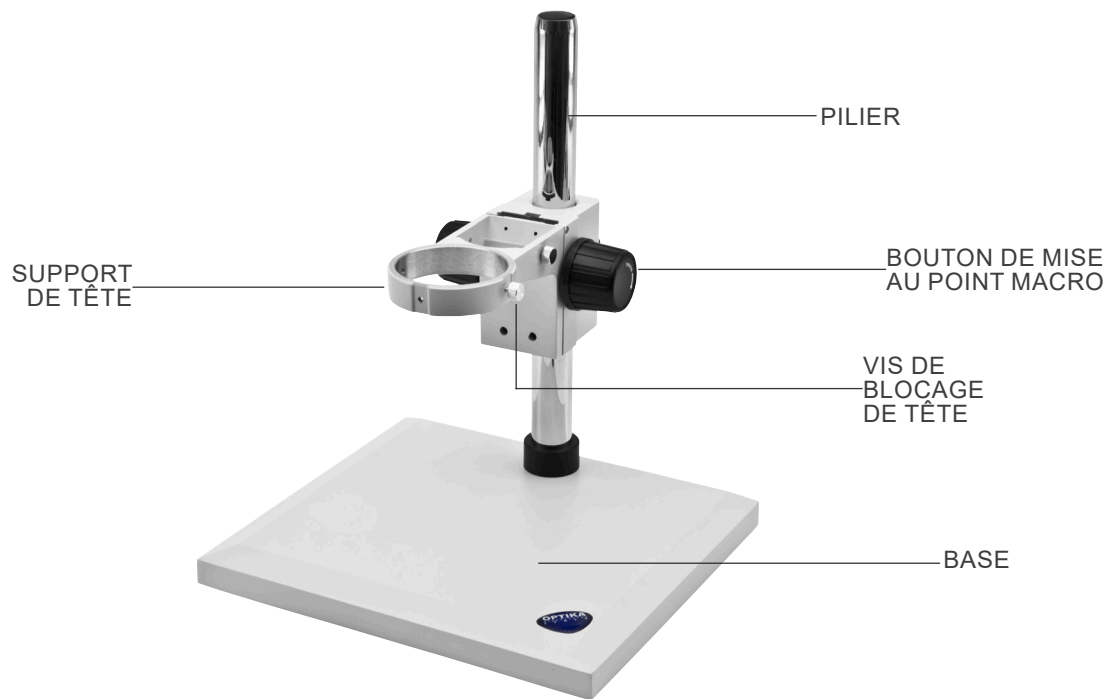
7.4 SZ-A1



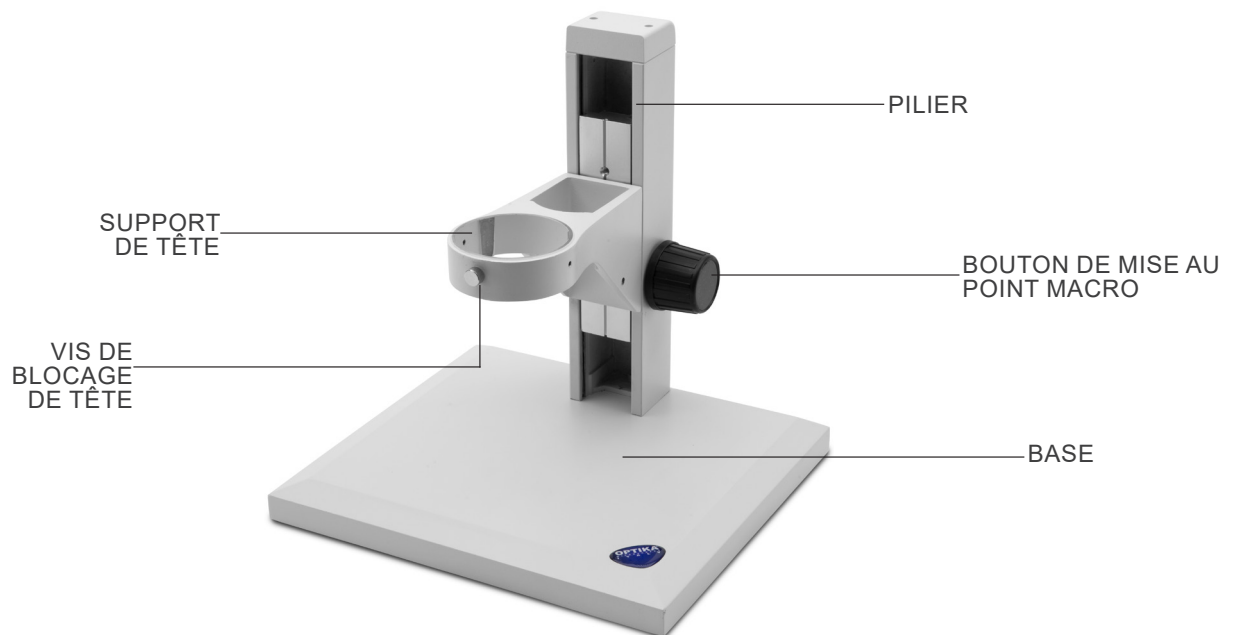
7.5 SZ-A6



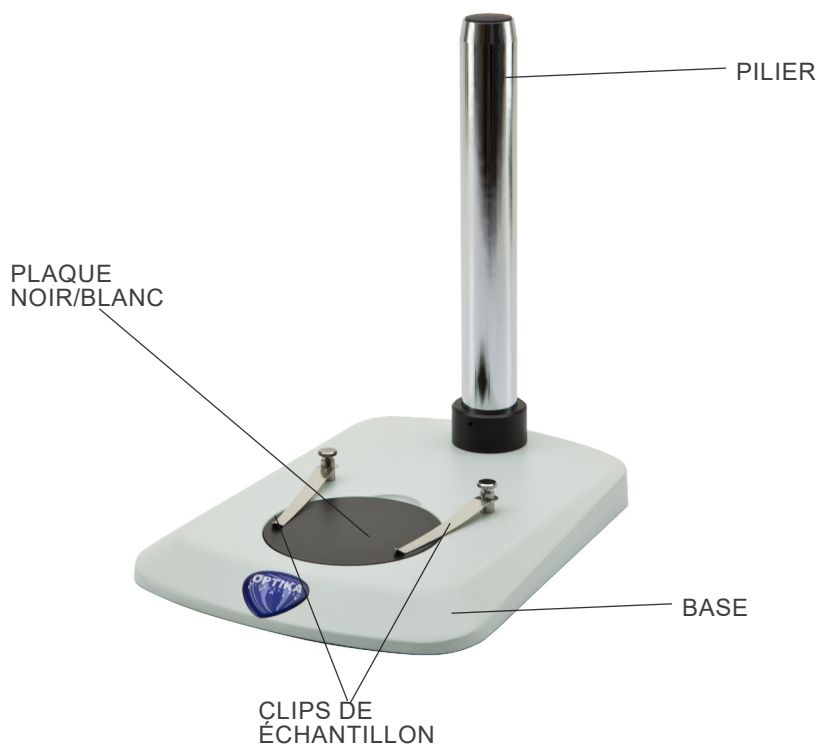
7.6 ST-150



7.7 ST-152



7.8 SZ-ST1



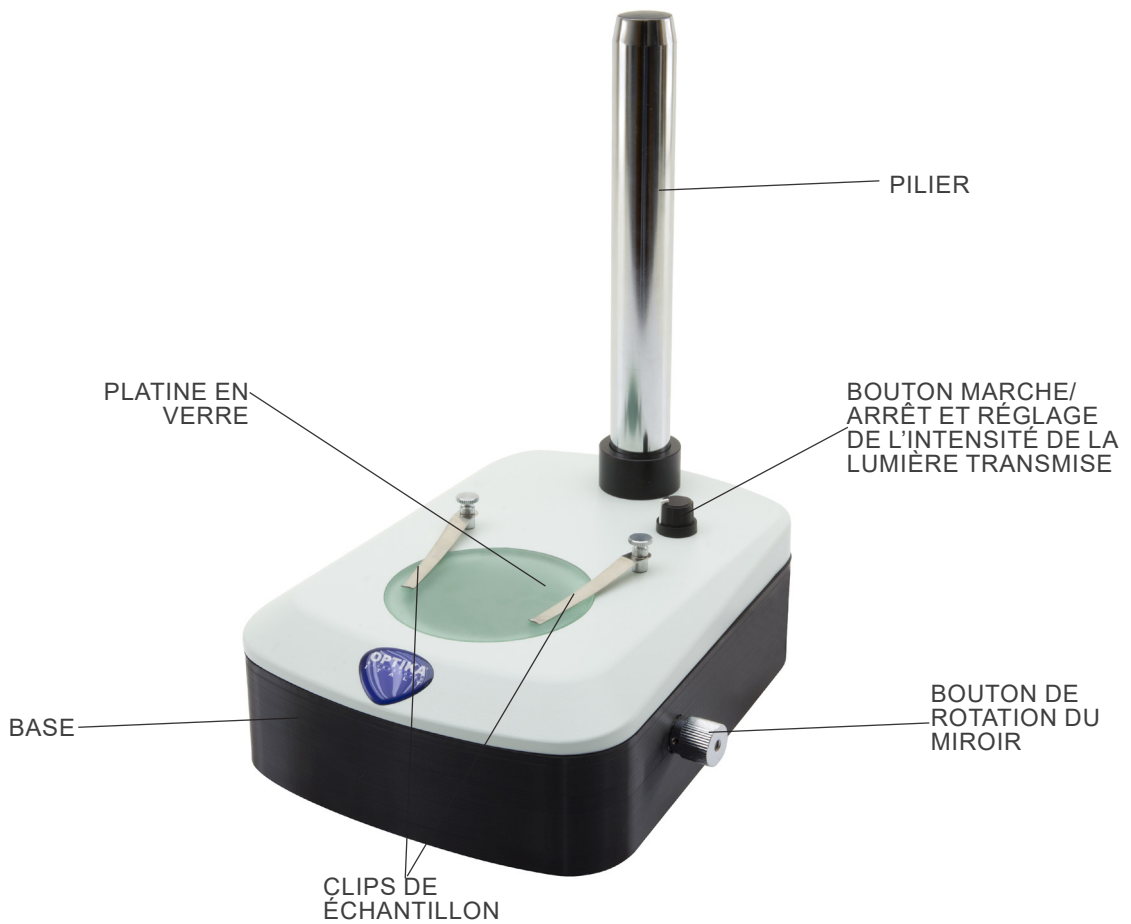
7.9 SZ-ST2 / SZ-ST3



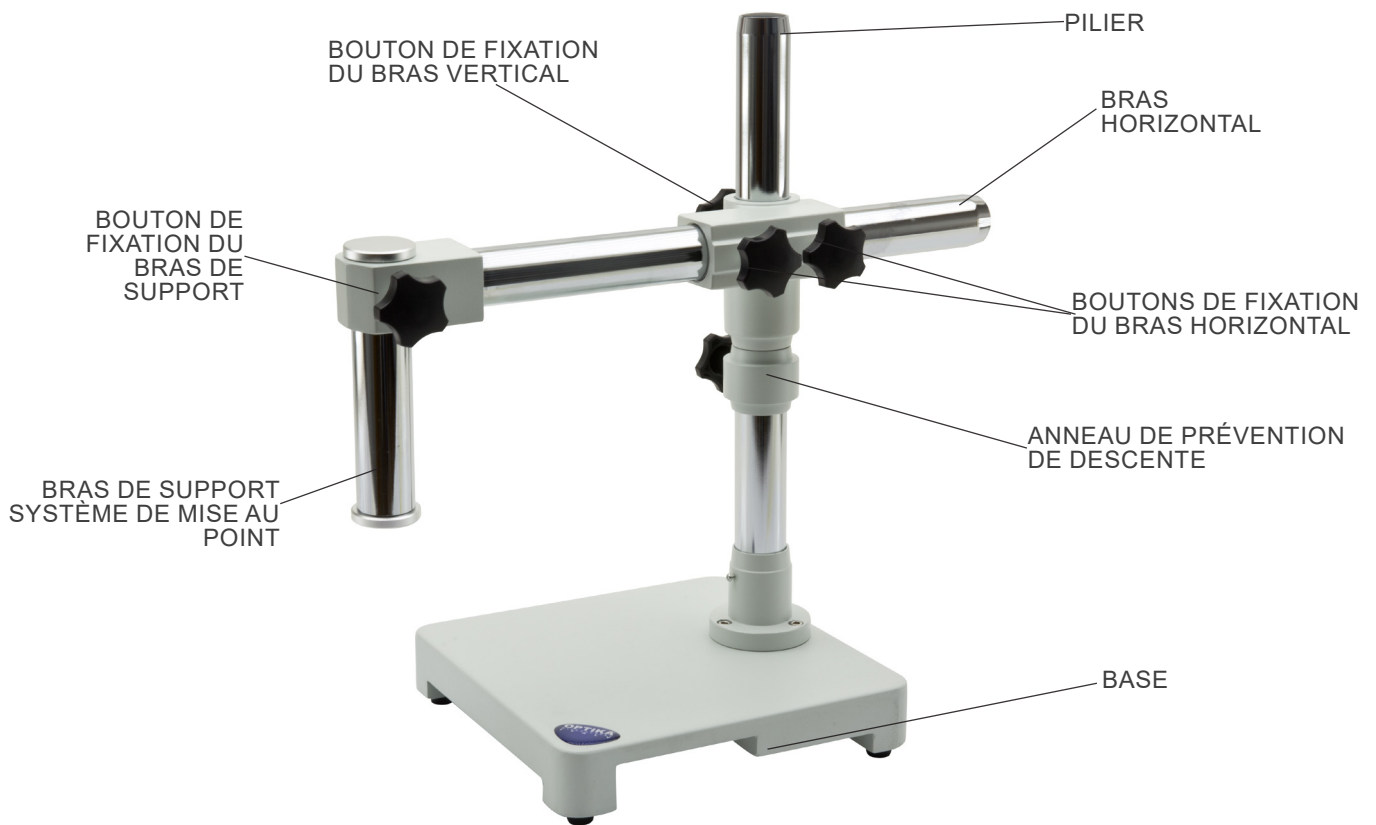
7.10 SZ-ST7 / SZ-ST8



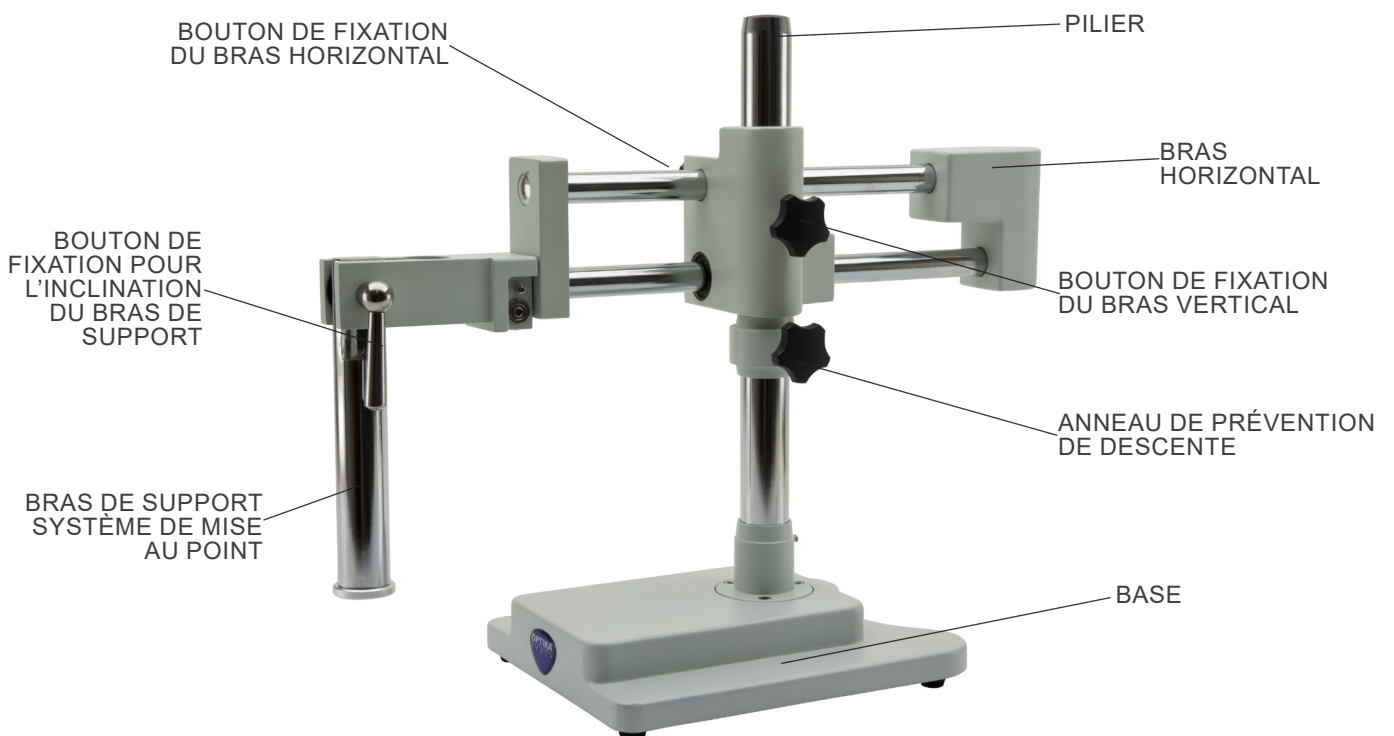
7.11 SZ-OBL



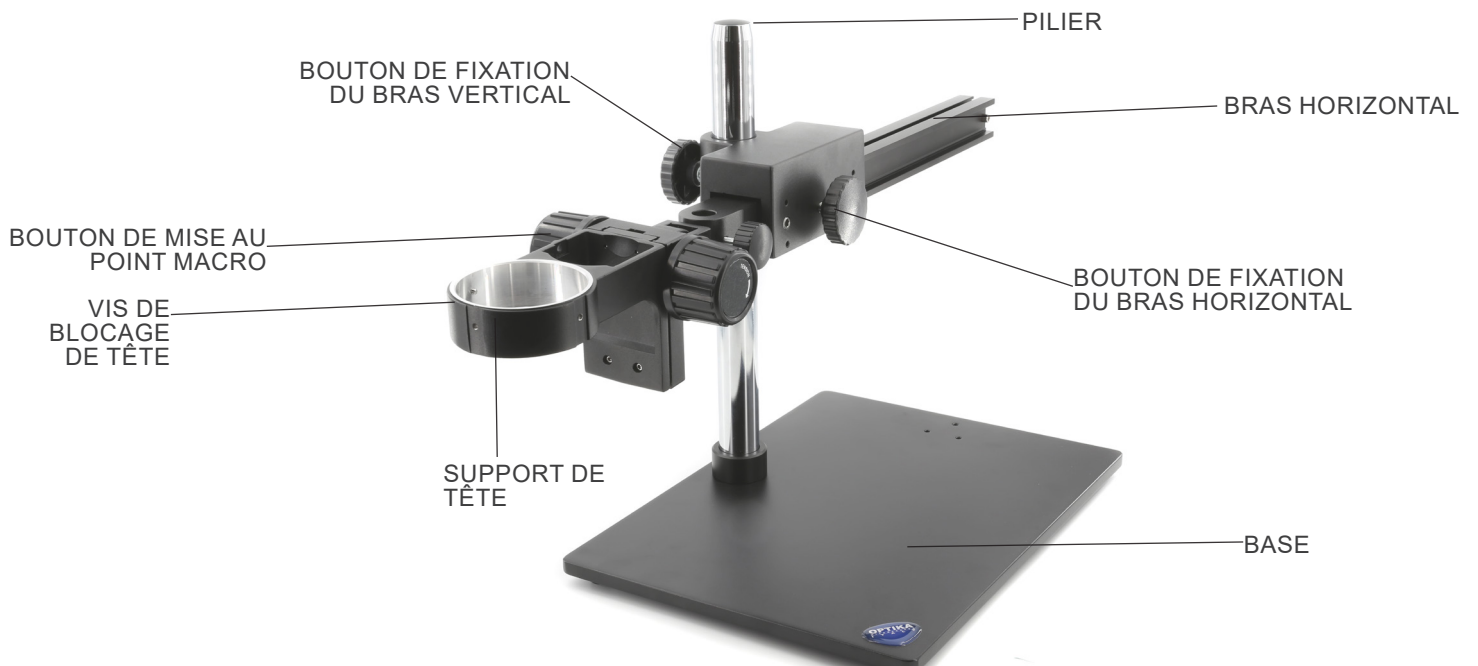
7.12 SZ-STL1



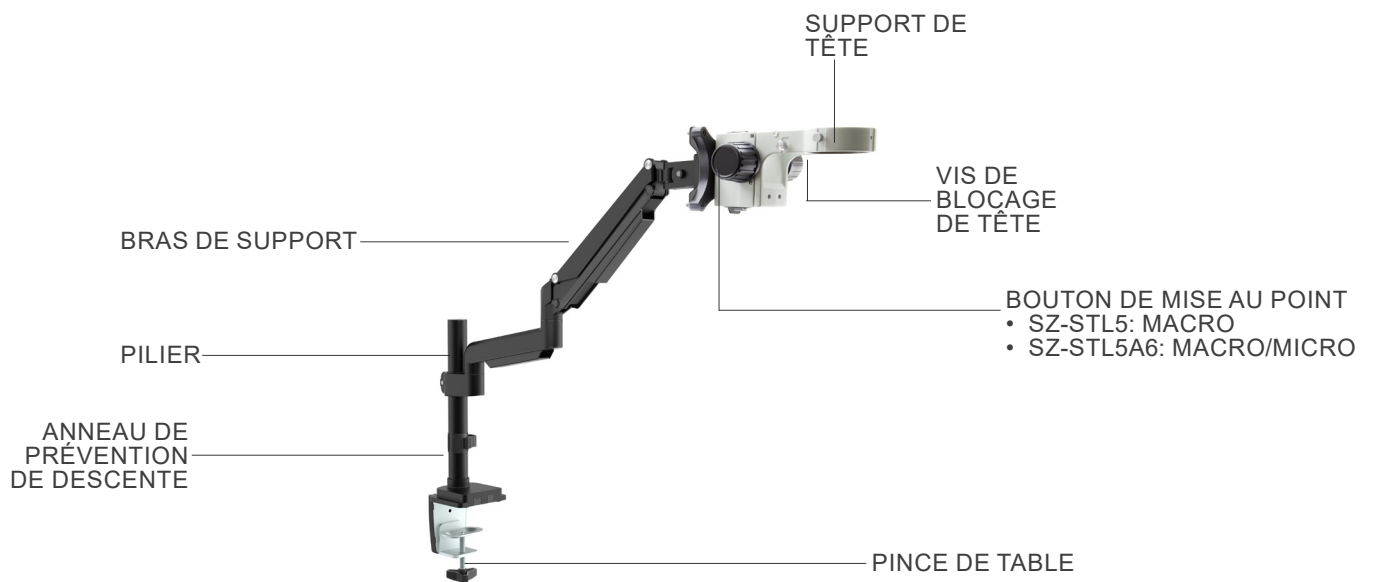
7.13 SZ-STL2



7.14 SZ-STL3X



7.15 SZ-STL5 / SZ-STL5A6



7.16 SZ-STL5LED



8. Assemblage

8.1 SZ-A1 / SZ-A6

- Le montage des systèmes de mise au point SZ-A1 et SZ-A6 s'applique à toutes les bases sauf ST-152, SZ-STL1, SZ-STL2, SZ-STLX et SZ-STL5. Pour le montage sur ces bases, veuillez vous référer à la section spécifique.
- Placez le système de mise au point sur la colonne et, une fois la hauteur souhaitée atteinte, serrez le bouton de verrouillage ① situé à l'arrière du système de mise au point. (Fig. 1)



8.2 SZ-ST1 / ST-150

- Retirez la base de son emballage et placez-la sur une surface plane. Le socle est déjà monté en usine et ne nécessite pas d'autre procédure de montage que celle du montage du système de mise au point.

8.3 ST-152

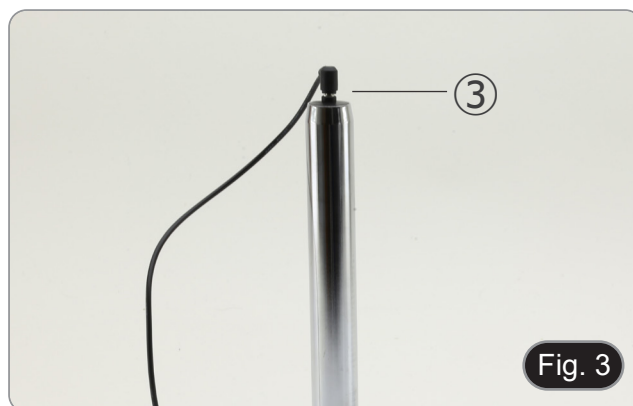
- Retirez la base de son emballage et placez-la sur une surface plane. Le socle est déjà monté en usine et ne nécessite pas d'autre procédure de montage.

8.4 SZ-ST2 / SZ-ST3

- Installer le projecteur à LED pour la lumière incidente d'après la Fig. 2.
- En desserrant la vis de fixation ②, vous pouvez modifier l'angle d'inclinaison du projecteur pour optimiser l'éclairage de l'échantillon.



- Insérez le connecteur du câble dans le connecteur en haut du pilier ③. (Fig. 3)



3. Brancher le jack de l'alimentation à la prise située à l'arrière de la base du microscope. (Fig. 4)



8.5 SZ-ST7 / SZ-ST8 / SZ-OBL

1. Retirez la base de son emballage et placez-la sur une surface plane. Le socle est déjà monté en usine et ne nécessite pas d'autre procédure de montage que celle du montage du système de mise au point.
2. Brancher le jack de l'alimentation à la prise située à l'arrière de la base du microscope. (Fig. 4)

8.6 SZ-STL1

1. Visser le pilier à la base. (Fig. 5)



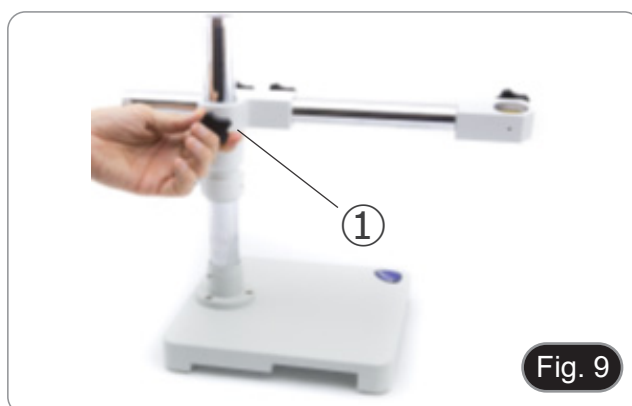
2. Serrer les vis pour bloquer le pilier. (Fig. 6)



3. Insérez la bague de prévention de descente et fixez-la à la hauteur désirée en vissant le bouton de fixation. (Fig. 7)



4. Insérer le bras horizontal et le fixer à l'aide de la vis de fixation ①. (Fig. 8 - 9)



5. Installez le support de tête. Dévissez le bouton de verrouillage ③ et insérez le bras pour le support de mise au point par le haut ② dans le trou du bras horizontal. (Fig. 10)



6. Une fois complètement inséré, serrer la vis de fixation ④ (Fig. 11)



7. Insérer le système de mise au point par le bas, serrer la vis de fixation ⑤ et resserrer le bouton de verrouillage ③ par le bas. (Fig. 12-13)



8.7 SZ-STL2

1. Visser le pilier à la base. (Fig. 14)



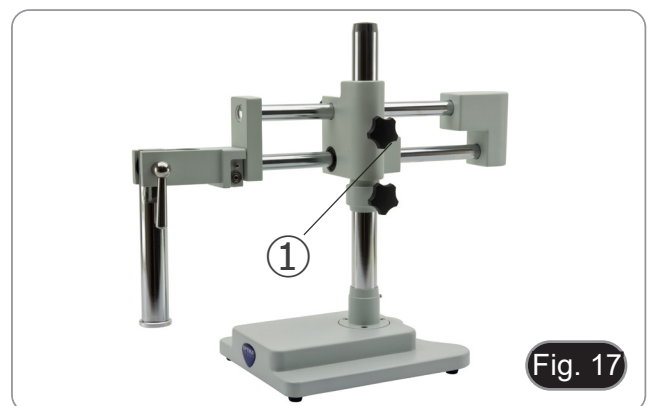
2. Serrer les vis pour bloquer le pilier. (Fig. 15)



3. Insérez la bague de prévention de descente et fixez-la à la hauteur désirée en vissant le bouton de fixation. (Fig. 16)



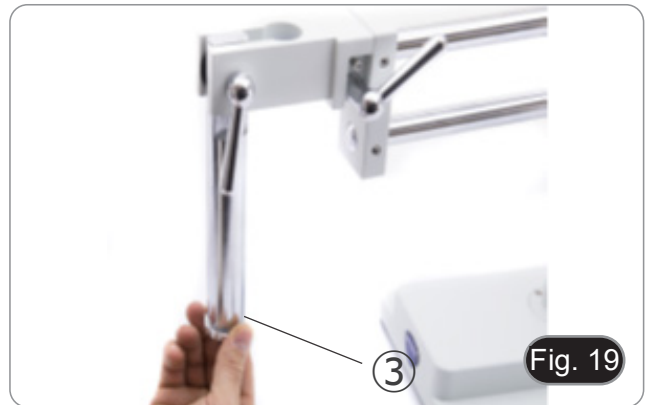
4. Insérer le bras horizontal et le fixer à l'aide de la vis de fixation ① (Fig. 17).



5. Pour plus de sécurité, serrez la vis de fixation ② avec la clé Allen fournie ②. (Fig. 18)

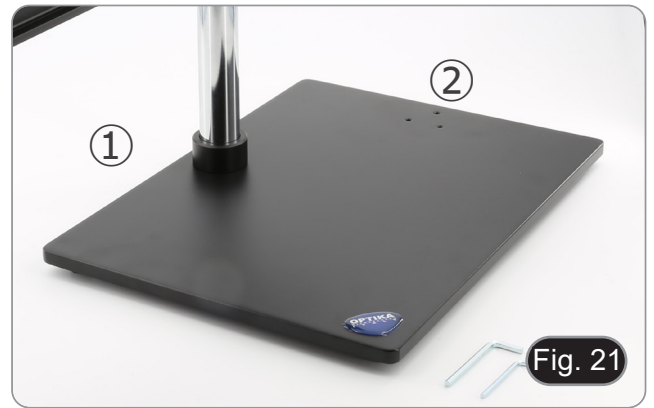


6. Installez le système de mise au point. Dévisser le bouton de verrouillage ③ et insérer le support ④ par le bas dans le pilier. Ensuite, re vissez le bouton de verrouillage ③. (Fig. 19-20)



8.8 SZ-STL3X

1. Insérer les trois vis de fixation de la colonne par le dessous de la base et, à l'aide de la clé Allen de 3 mm fournie, serrer les vis.
 - Selon les besoins de l'opérateur, il est possible de fixer la colonne sur le côté long ① ou le côté court ② de la base. (Fig. 21)



2. Insérez la bague de prévention de descente et fixez-la à la hauteur désirée en vissant le bouton de fixation. (Fig. 22)



3. Insérer le bras horizontal et le fixer à l'aide de la vis de fixation ③. (Fig. 23)

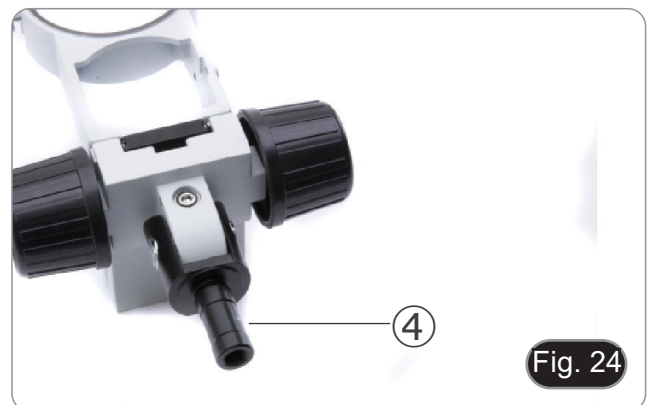


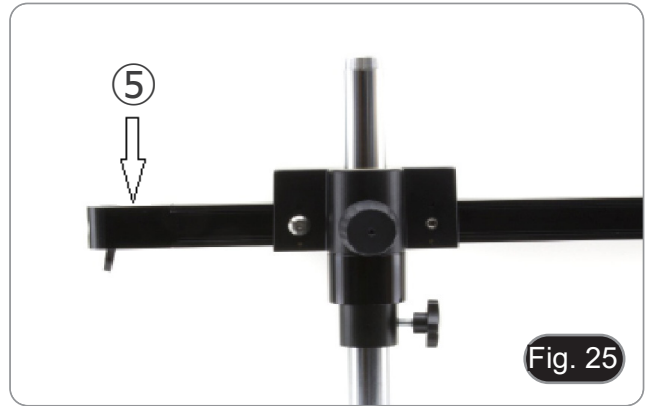
4. Le support de tête peut être installé de différentes manières selon les besoins spécifiques de l'utilisateur.

Mode d'installation n° 1: (Fig. 24-26)

Insérez la partie arrière de l'appui-tête (partie ronde noire) ④ (Fig. 24) par le haut dans le trou du bras horizontal ⑤ (Fig. 25) et et le bloquer à l'aide du bouton de fixation ⑥. (Fig. 26)

- Ce mode permet l'installation de têtes lourdes (ou avec des caméras lourdes installées au-dessus de la tête).





Mode d'installation n° 2: (Fig. 27)

Insérer la partie arrière de l'appui-tête (partie ronde noire) ④ (Fig. 24) dans le trou à l'extrémité du bras horizontal et le bloquer à l'aide du bouton de fixation ⑥. (Fig. 27)



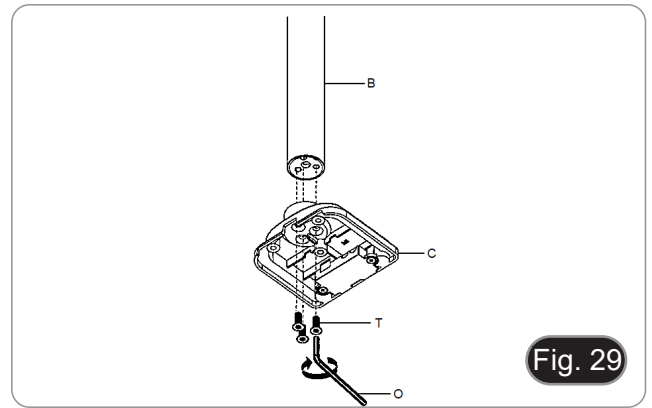
- Ce mode vous permet d'incliner la tête. (Fig. 28)



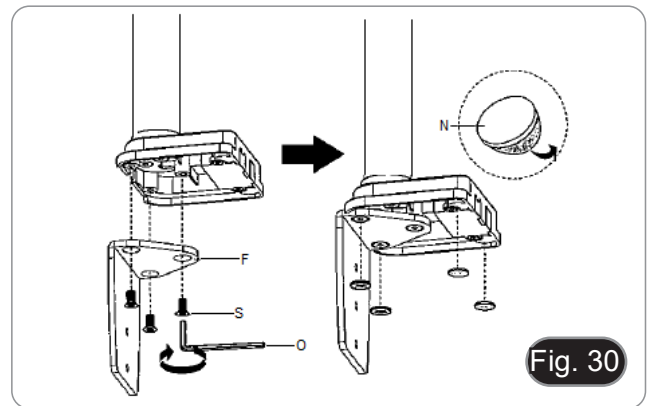
8.9 SZ-STL5 / SZ-STL5A6 / SZ-STL5LED

8.9.1 Fixation de la table à l'aide d'une pince

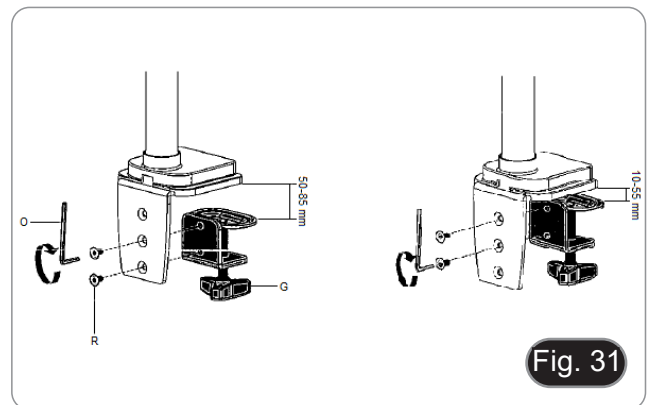
1. Fixer le pilier (B) à la pince de table (C) à l'aide des trois vis (T). (Fig. 29)



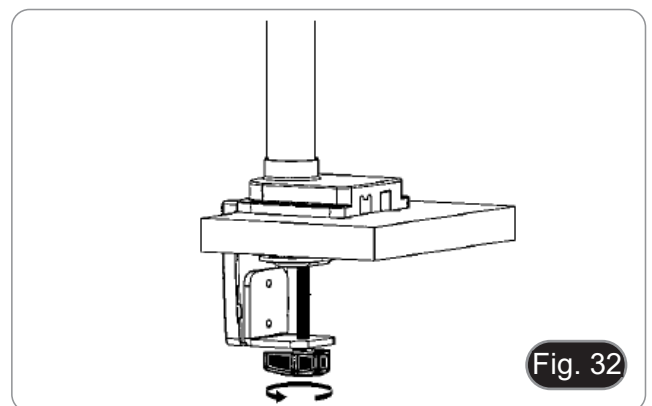
2. Fixer le support de pince (E) à la pince de table (C) à l'aide des trois vis (S). (Fig. 30)
3. Coller les patins en caoutchouc (N) sur la pince de table.



4. Fixer la pince (G) au support de pince (F) à l'aide des deux vis (R). (Fig. 31)
- **REMARQUE :** En fonction de l'épaisseur de la table, la pince (G) peut être montée dans deux positions différentes.



5. Fixer le couvercle en plastique (H) au porte-pince, puis fixer l'ensemble à la table en vissant le bouton de fixation. (Fig. 32)
- **NOTE :** Le couvercle en plastique (H) sert également à ranger les clés Allen utilisées pour l'assemblage et le réglage de la tension des différentes pièces.



6. Insérer l'anneau anti-chute (D) dans le pilier.
7. Insérer le bras flexible (A) et serrer la vis de fixation. (Fig. 33)

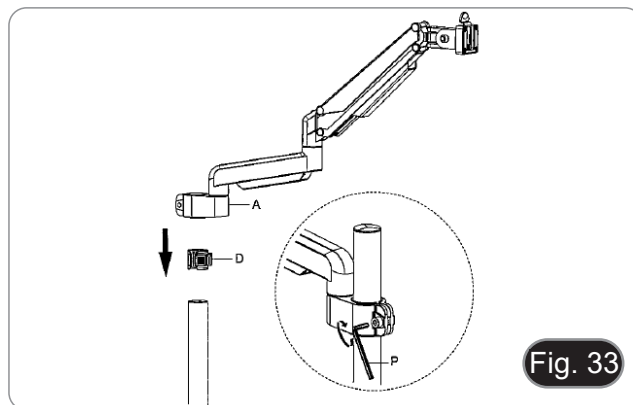


Fig. 33

8.9.2 Fixation de la table avec trou de passage

1. Percez un trou dans la table à l'endroit où vous souhaitez installer le support.
2. Répétez la procédure décrite à l'étape 1) du chapitre 8.9.1.
3. Insérez la vis (I) dans la plaque de fixation (J).
4. Serrez la plaque de fixation à l'aide des trois vis (S). (Fig. 34)
5. Collez les patins en caoutchouc (N) sur la pince de la table.

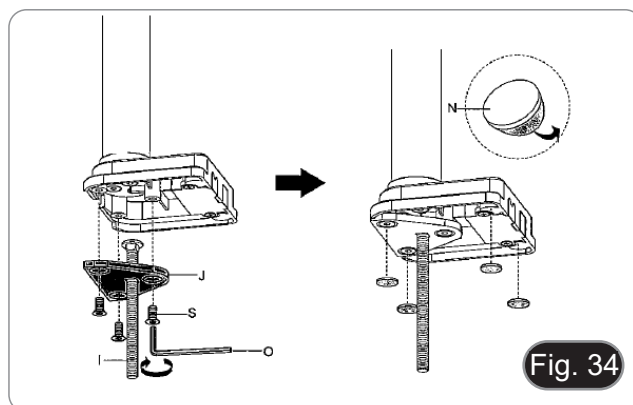


Fig. 34

6. Insérer la vis (I) dans le trou de la table.
7. Fixez l'ensemble à l'aide de la plaque de fixation (K), de la rondelle (L) et de l'écrou (M).
8. Serrez l'écrou à l'aide de la clé (Q). (Fig. 35)
9. Répétez la procédure décrite aux étapes 6) et 7) du chapitre 8.2.1 pour installer le bras flexible.

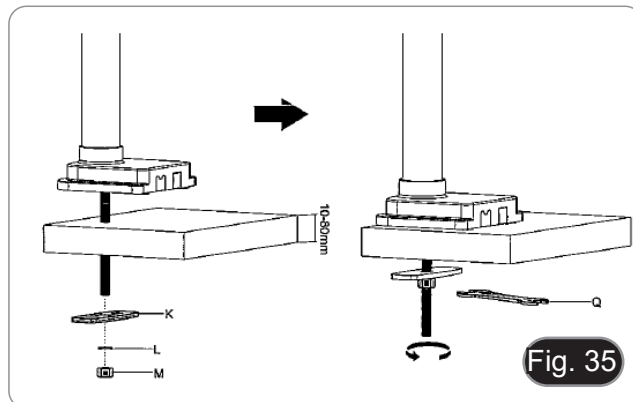


Fig. 35

10. Montez le système de mise au point sur le bras, en utilisant les vis et la clé Allen fournie. (Fig. 36)

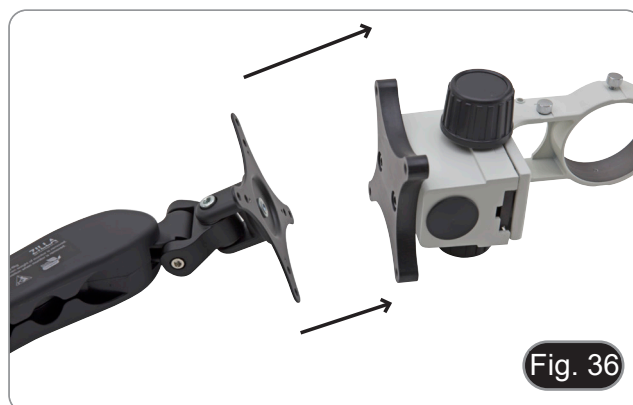


Fig. 36

8.10 Installer la tête (tous les modèles)

Insérer la tête et fixer la vis de blocage. (Fig. 37)



8.11 Installer les oculaires (tous les modèles)

1. Retirez les capuchons anti-poussière des porte-oculaires et insérez les oculaires. (Fig. 38)
2. Verrouiller les oculaires en serrant la vis de verrouillage ①.

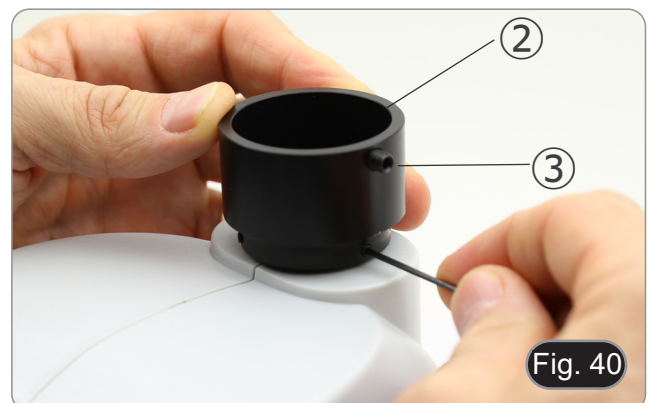


8.12 Installer la sortie photo (SZX-T / TA)

1. Desserrez les vis de fixation ① de la sortie photo fournie et retirez la sortie photo existante. (Fig. 39)



2. Insérez la bague de la sortie photo ② en veillant à laisser la vis de fixation de l'adaptateur photo ③ face à droite. (Fig. 40)
3. Serrer les vis de fixation ①. (Fig. 39)



9. Utilisation du microscope

9.1 Ajuster la distance interpupillaire

1. Tenez le tube oculaire droit et gauche avec les deux mains et réglez la distance interpupillaire en déplaçant les deux parties jusqu'à ce qu'un cercle lumineux soit visible.
- Si deux cercles apparaissent, la distance interpupillaire est trop grande.
- Si deux cercles se chevauchent, la distance interpupillaire est trop petite (Fig. 41)



9.2 Mise au point

1. Placez l'échantillon à observer sur la plaque et faites la mise au point à l'aide des boutons de mise au point ①.
- Si nécessaire, ajuster la hauteur du corps du microscope le long de la colonne verticale.
- Verrouillez la vis de blocage ② après avoir réglé la hauteur. (Fig. 42)

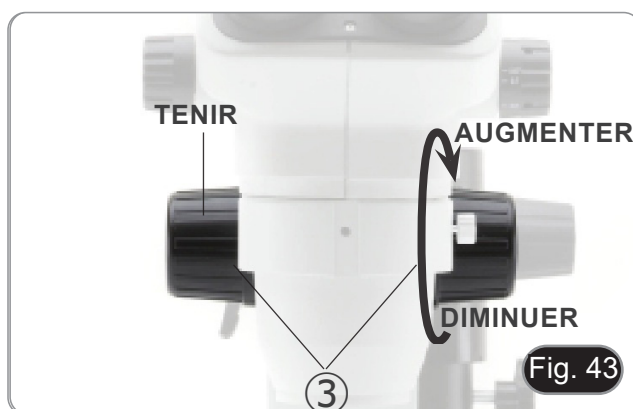


9.3 Réglage de la tension des boutons de mise au point

- Ce réglage permet d'augmenter ou de diminuer la tension du bouton en évitant une descente involontaire du corps du microscope sous son propre poids. Ajustez la tension juste au-dessus du point où la mise au point est stable.

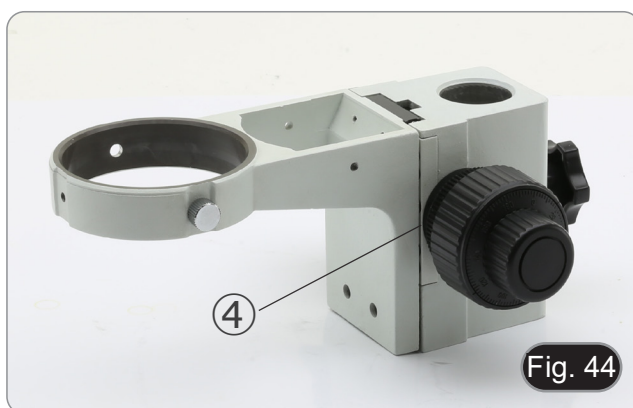
9.3.1 SZ-A1

1. Saisissez les boutons ③ des deux mains et, tout en tenant le bouton gauche, tournez le bouton droit.
- La tension augmente ou diminue en fonction du sens de rotation du bouton droit. (Fig. 43)



9.3.2 SZ-A6

1. Tourner la bague de réglage ④ dans le sens des aiguilles d'une montre jusqu'à ce que la tension souhaitée soit atteinte.
- Si vous le tournez dans le sens inverse des aiguilles d'une montre, la tension chute, ce qui entraîne une perte de mise au point. (Fig. 44)



9.4 Compensation dioptrique

- **Cette compensation permet aux personnes portant des lunettes d'ajuster le microscope à leurs yeux et d'utiliser le microscope sans lunettes.**

1. Mettez le zoom ① vers le bas jusqu'au grossissement le plus faible et faites la mise au point sur l'objet à l'aide des boutons de mise au point ②. (Fig. 45)
2. Mettre le zoom au grossissement maximum et répéter la mise au point.
3. Retour au grossissement le plus faible: l'échantillon sera flou.



4. Régler la bague de compensation dioptrique de l'oculaire droit ③ (Fig. 46) jusqu'à ce que l'image de l'oculaire droit soit nette. Répéter la procédure pour l'oculaire gauche.
5. Ensuite, vérifiez la mise au point de l'image pour toute la plage de zoom. Il doit maintenant être parfaitement parfocal (la mise au point est toujours maintenue pendant le changement de grossissement).



9.5 Grossissement

- Sélectionner l'agrandissement désiré en ajustant le bouton de zoom ①. (Fig. 47)
- Changer les oculaires et/ou ajouter une lentille supplémentaire appropriée si nécessaire.
- Uniquement pour la série SZO:** Le corps du microscope est équipé d'une fonction "bloc du grossissement" qui permet d'obtenir un réglage précis de l'agrandissement souhaité (Fig. 47). Le clic d'arrêt peut être activé ou désactivé en insérant la clé Allen fournie dans le trou situé sur le côté droit du microscope.



9.6 Utilisation d'un objectif supplémentaire

- Visser la lentille supplémentaire souhaitée sur le corps du microscope. (Fig. 48)
- Chaque lentille supplémentaire a une distance de travail spécifique.
- La course de l'adaptateur de mise au point ne pouvait pas compenser les différentes distances de travail des différents objectifs supplémentaires.
- Si le support de mise au point ne parvient pas à focaliser l'échantillon, le corps entier du microscope doit être soulevé ou abaissé.

Le grossissement total utilisé peut être calculé comme suit:
grossissement de l'oculaire * grossissement du zoom * grossissement de l'objectif.



Série SZX (0.67x - 4.5x / F.N. 22 mm)

Oculaire	10x		15x		20x		25x	
Indice de champ (mm)	22		16		12		9	
Objectif	Gross. Totale	Champ visuel (mm)	Gross. Totale	Champ visuel (mm)	Gross. Totale	Champ visuel (mm)	Gross. Totale	Champ visuel (mm)
0.3X	2.01X-13.5X	109.45-16.30	3.02X-20.25X	79.60-11.85	4.02X-27X	59.70-8.89	5.03X-33.75X	44.78-6.67
0.5X	3.35X-22.5X	65.67-9.78	5.03X-33.75X	47.76-7.11	6.7X-45X	35.8-5.33	8.38X-56.25X	26.87-4.00
0.75X	5.03X-33.75X	43.78-6.52	7.54X-50.63X	31.84-4.74	10.05X-67.5X	23.88-3.56	12.56X-84.37X	17.91-2.67
1X	6.7X-45X	32.84-4.89	10.05X-67.5X	23.88-3.56	13.4X-90X	17.91-2.67	16.75X-112.5X	13.43-2.00
1.5X	10.05X-67.5X	21.89-3.26	15.08X-101.25X	15.92-2.37	20.1X-135X	11.94-1.78	25.13X-168.75X	8.96-1.33
2X	13.4X-90X	16.42-2.44	20.1X-135X	11.94-1.78	26.8X-180X	8.96-1.33	33.5X-225X	6.72-1.00

Série SZX-A (0.65x - 5.5x / F.N. 23 mm)

Oculaire	10x		15x		20x		25x	
Indice de champ (mm)	23		16		12		9	
Objectif	Gross. Totale	Champ visuel (mm)	Gross. Totale	Champ visuel (mm)	Gross. Totale	Champ visuel (mm)	Gross. Totale	Champ visuel (mm)
0.3X	1.95X-16.5X	117.95-13.94	2.93X-24.75X	82.05-9.70	3.9X-33X	61.54-7.27	4.88x-41.25x	46.15-5.45
0.5X	3.25X-27.5X	70.77-8.36	4.88X-41.25X	49.23-5.82	6.5X-55X	36.92-4.36	8.13x-68.75X	27.69-3.27
0.75X	4.88X-41.25X	47.18-5.58	7.31X- 61.88X	32.82-3.88	9.75X-82.5X	24.62-2.91	12.19x-103.13X	18.46-2.18
1X	6.5X-55X	35.38-4.18	9.75X-82.5X	24.62-2.91	13X-110X	18.46-2.18	16.25X-137.5X	13.85-1.64
1.5X	9.75X-82.5X	23.59-2.79	14.63X-123.75X	16.41-1.94	19.5X-165X	12.31-1.45	24.38X-206.25X	9.23-1.09
2X	13X-110X	17.69-2.09	19.5X-165X	12.31-1.45	26X-220X	9.23-1.09	32.5X-275X	6.92-0.82

Série SZO (0.67x - 4.5x / F.N. 23 mm)

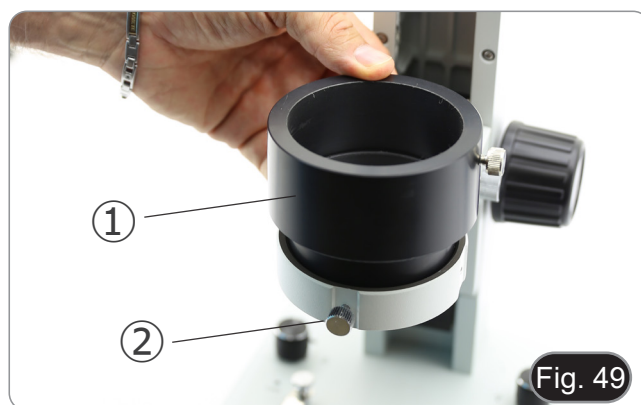
Oculaire	10x		15x		20x		25x	
Indice de champ (mm)	23		16		12		9	
Objectif	Gross. Totale	Champ visuel (mm)	Gross. Totale	Champ visuel (mm)	Gross. Totale	Champ visuel (mm)	Gross. Totale	Champ visuel (mm)
0.3X	2.01X-13.5X	114.43-17.04	3.02X-20.25X	79.60-11.85	4.02X-27X	59.70 -8.89	5.03X-33.75X	44.78-6.67
0.5X	3.35X-22.5X	68.66-10.22	5.03X-33.75X	47.76-7.11	6.7X-45X	35.82-5.33	8.38X-56.25X	26.87-4.00
0.75X	5.03X-33.75X	45.77-6.81	7.54X- 50.63X	31.84-4.74	10.05X-67.5X	23.88-3.56	12.56X-84.38X	17.91-2.67
1X	6.7X-45X	34.33-5.11	10.05X-67.5X	23.88-3.56	13.4X-90X	17.91-2.67	16.75X-112.5X	13.43-2.00
1.5X	10.05X-67.5X	22.89-3.41	15.08X-101.25X	15.92-2.37	20.1X-135X	11.94-1.78	25.13X-168.75X	8.96-1.33
2X	13.4X-90X	17.16-2.56	20.1X-135X	11.94-1.78	26.8X-180X	8.96-1.33	33.5X-225X	6.72-1.00

9.7 Utilisation d'un objectif supplémentaire 0.3X-0.5X

Les objectifs supplémentaires 0.3X et 0.5X ont une longue distance de travail et la course totale de la colonne de mise au point ne peut donc pas compenser.

Pour que les objectifs supplémentaires 0.3X et 0.5X fonctionnent correctement, procédez comme suit:

1. Vissez la lentille supplémentaire comme décrit dans la section 9.6.
2. Retirez le corps du microscope de son support.
3. Installez l'entretoise ① dans le support de tête et vissez le bouton de fixation ②. (Fig. 49)
4. Réinstallez le corps du microscope sur l'entretoise et vissez le bouton de fixation ③. (Fig. 50)
5. Commencez à travailler normalement.



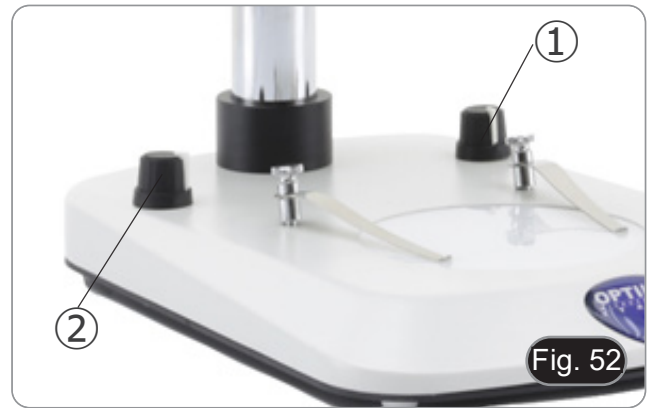
9.8 Plaque noir/blanc (SZ-ST1 / 2 / 3 / 7 / 8)

- Vous pouvez utiliser un disque de contraste noir/blanc pour augmenter le contraste de l'image lorsque vous travaillez en lumière incidente.
1. Retirez le disque opale transparent utilisé en lumière transmise.
 2. Insérez le disque noir/blanc avec la face souhaitée vers le haut. (Fig. 51)
- Si vous regardez des échantillons clairs, placez le disque avec la partie noire vers le haut.



9.9 Utilisation de l'illumination (SZ-ST2 / 3 / 7 / 8)

1. Tournez le bouton de la lumière transmise ② pour allumer/éteindre ou pour changer l'intensité de la LED de la lumière transmise. (Fig. 52)
 2. Tournez le bouton de la lumière incidente ① pour allumer/éteindre ou pour changer l'intensité de la LED de la lumière incidente.
- Il est possible d'utiliser les deux éclairages en même temps.



Seulement pour SZ-ST7 / SZ-ST8:

- Inclinez et positionnez les bras auto portants de la base ③ pour un éclairage optimal de l'échantillon. (Fig. 53)
- Les bras peuvent être placés individuellement dans la position souhaitée.



9.10 Utilisation de l'illumination (SZ-OBL)

1. Tournez le bouton de la lumière transmise ① pour allumer/éteindre ou pour changer l'intensité de la LED de la lumière incidente. (Fig. 54)
 2. Tourner le bouton de rotation du miroir ② pour incliner le miroir jusqu'à obtenir l'éclairage oblique souhaité.
- Le miroir présente une surface lisse et une surface moletée. Ces deux surfaces permettent d'optimiser l'observation en offrant un contraste adéquat en fonction de l'échantillon à observer.



9.11 Utilisation des Ocellères en caoutchouc (SZO-B / T)

- Pour un utilisateur portant des lunettes

Utiliser les œillères dans leur position normale repliée. Cela évitera de rayer les lunettes. (Fig. 55)



- **Pour un utilisateur ne portant pas de lunette**

Déployer les œillères repliables qui constituent un écran qui empêchera toute lumière extérieure de passer entre les oculaires et les yeux. (Fig. 56)



9.12 Utilisation d'une base en surplomb

9.12.1 SZ-STL1

Déplacer le bras horizontal

1. Desserrez les boutons du côté droit du bras horizontal ①. (Fig. 57)
2. Le bras peut être allongé ou raccourci selon les besoins spécifiques. (Fig. 58)



Changer l'angle de la tête

1. Desserrez les boutons ① et tournez la tête à l'angle désiré (droite ou gauche), puis serrez la vis de fixation. (Fig. 59)



Tourner le bras horizontal

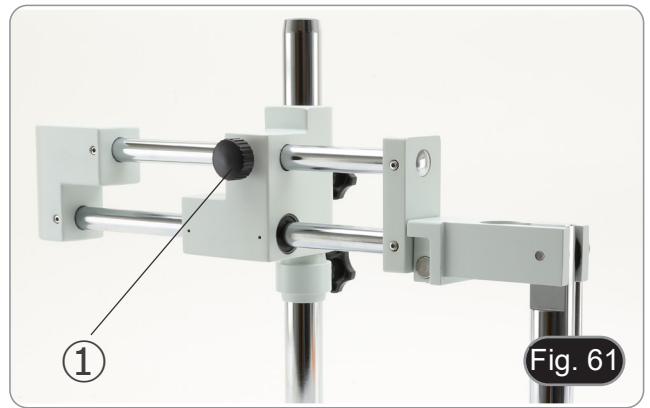
1. Desserrez la vis de fixation du bras horizontal ② et tournez le bras, puis serrez la vis de fixation. (Fig. 60)
- **REMARQUE** : Une rotation du microscope de 180° par rapport à la base peut faire basculer l'ensemble du système.



9.12.2 SZ-STL2

Déplacer le bras horizontal

1. Desserrez le bouton sur le côté gauche du bras horizontal ①. (Fig. 61)



2. Le bras peut être allongé ou raccourci selon les besoins spécifiques. (Fig. 62)



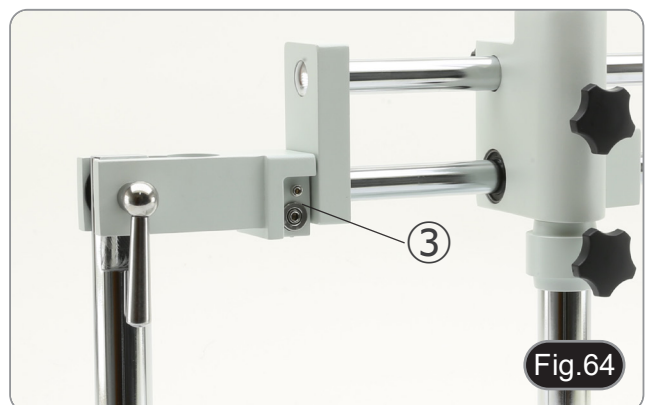
Incliner le support de tête

1. Desserrez le bouton ② (Fig. 63) sur le côté droit du support. Le bras basculant vertical peut être déplacé. Une fois l'angle désiré atteint, serrez le bouton ②.



Changer l'angle de la tête

1. Desserrez la vis de fixation ③ et tournez la tête à l'angle souhaité (à droite ou à gauche), puis serrez la vis de fixation. (Fig. 64-65)





Tourner le bras horizontal

1. Desserrer la vis de fixation du bras horizontal ④ et tourner le bras, puis serrer la vis de fixation. (Fig. 66)
- **REMARQUE** : Une rotation du microscope de 180° par rapport à la base peut faire basculer l'ensemble du système.



9.12.3 SZ-STL3X

Déplacer le bras horizontal

1. Desserrez les boutons du côté droit du bras horizontal①. (Fig. 67)



2. Le bras peut être allongé ou raccourci selon les besoins spécifiques. (Fig. 68)



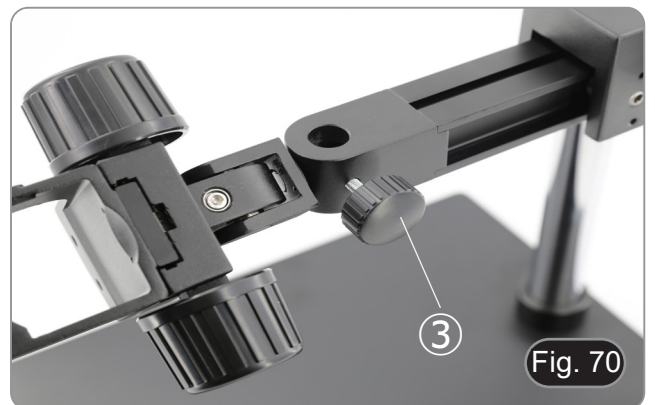
Incliner le support de tête

1. Desserrez la vis à six pans creux ② (Fig. 69) sur la partie supérieure de l'appui-tête.
2. La partie noire peut être déplacée. Une fois l'angle désiré atteint, resserrer la vis.



Changer l'angle de la tête

1. Déverrouiller le bouton de fixation ③ et tourner la tête à l'angle de rotation désiré (gauche ou droite), puis resserrer le bouton. (Fig. 70-71)



Tourner le bras horizontal

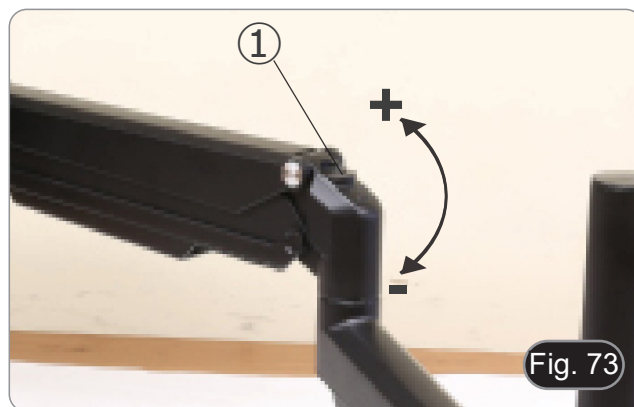
1. Desserrez le bouton de fixation du bras horizontal ④ et tourner le bras, puis resserrer à nouveau le bouton. (Fig. 72)
- **REMARQUE** : Une rotation du microscope de 180° par rapport à la base peut faire basculer l'ensemble du système.



9.12.4 SZ-STL5 / SZ-STL5A6 / SZ-STL5LED

Réglage de la tension du bras horizontal

- Si le bras horizontal a tendance à s'abaisser automatiquement, il peut être nécessaire de régler la tension pour qu'elle corresponde au poids total du système.
1. À l'aide de la clé Allen de 6 mm (P), serrez la vis de ① pour augmenter la résistance du support du bras horizontal. (Fig. 73)
- La rotation dans le sens inverse des aiguilles d'une montre augmente la tension, tandis que la rotation dans le sens des aiguilles d'une montre la réduit.



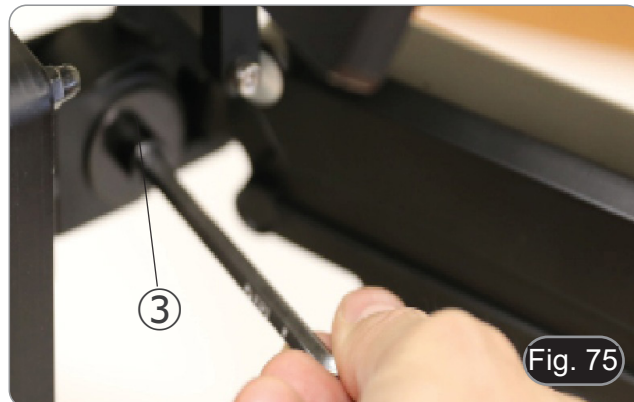
Tourner la tête

- La tête peut être tournée horizontalement.
1. À l'aide d'une clé Allen de 6 mm (P), desserrez la vis de ②, faites pivoter l'appareil dans la position souhaitée, puis resserrez la vis. (Fig. 74)



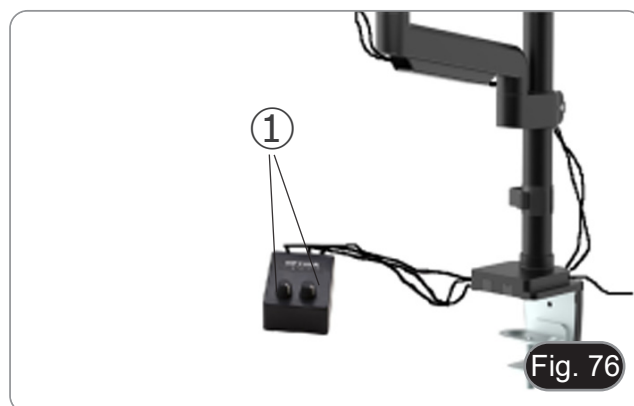
Incliner la tête

1. À l'aide de la clé Allen de 6 mm (P), desserrer la vis ③, incliner la tête dans la position souhaitée, puis serrer la vis. (Fig. 75)



Réglage de la luminosité

Tournez les boutons de réglage ① pour allumer/éteindre et augmenter/diminuer l'intensité lumineuse de chaque bras LED individuel. (Fig. 76)



10. Microphotographie

10.1 Utilisation des caméras avec monture "C"

1. Desserrer la vis de fixation ① à la jointure du tube et enlever le couvercle de protection noir ②. (Fig. 77)



2. Visser l'adaptateur de monture C ③ sur la caméra ④ et insérer le support rond du montage C dans le tube trinoculaire (Fig. 78), puis resserrer la vis de fixation ①.



10.2 Utilisation des caméras Reflex

1. Insérer l'adaptateur Reflex ① dans le tube de connexion ②.
2. Visser l'anneau "T2" ③ (non fournie) sur l'adaptateur reflex.
3. Unir l'appareil photo Reflex ④ à l'anneau "T2" juste assemblé. (Fig. 79)
4. Monter l'extrémité du tube de connexion ② dans le trou vide du tube trinoculaire, puis serrer la vis de serrage. (Fig. 77)
 - L'anneau "T2" n'est pas fourni avec le microscope, mais est disponible dans le commerce.
 - Pour photographier des préparations sombres, assombrissez les oculaires et le viseur avec un chiffon foncé pour limiter la lumière diffusée.
 - Pour calculer le grossissement de l'appareil photographique il faut: grossissement de l'objectif * grossissement de l'appareil * grossissement de la lentille.
 - **Si vous utilisez un appareil reflex, le mouvement du miroir peut faire vibrer l'appareil.**
 - **Il est conseillé de soulever le miroir, et d'utiliser une télécommande en pose longue.**



11. Réparation et entretien

Environnement de travail

Il est conseillé d'utiliser le microscope dans un environnement propre et sec, protégé des impacts, à une température comprise entre 0°C y 40°C et avec une humidité relative maximale de 85% (en absence de condensation). Il est conseillé d'utiliser un déshumidificateur si nécessaire.

Conseils avant et après l'utilisation du microscope



- Maintenir le microscope toujours en position verticale lorsque vous le déplacez.
- Assurez vous que les pièces mobiles (oculaires) ne tombent pas.
- Manipulez avec attention le microscope en évitant de le forcer.
- Ne réparez pas le microscope vous même.
- Éteindre immédiatement la lumière après avoir utilisé le microscope, couvrez le avec la housse prévue à cet effet et conservez le dans un endroit propre et sec.

Précaution de sécurité sur le système électrique



- Avant de connecter le câble d'alimentation sur le réseau électrique assurez vous que la tension d'entrée soit compatible avec celle de l'appareil et que l'interrupteur de l'éclairage soit en position arrêt.
- L'utilisateur devra consulter les normes de sécurités de son pays.
- L'appareil inclût une étiquette de sécurité C.E. Dans tous les cas, l'utilisateur assume toute responsabilité relative à l'utilisation sûre de l'appareil.

Nettoyage des optiques

- Si vous souhaitez nettoyer les optiques, utilisez dans un premier temps de l'air comprimé.
- Si cela n'est pas suffisant, utilisez alors un chiffon non effiloché, humidifié avec un peu d'eau et avec un détergent délicat.
- Comme dernière option, il est possible d'utiliser un chiffon humide avec une solution de 3:7 d'éthanol et d'éther.
- **Attention: l'éthanol et l'éther sont des substances hautement inflammables. Ne les utilisez pas près d'une source de chaleur, d'étincelles ou d'appareils électriques. Les substances chimiques doivent être utilisées dans un environnement aéré.**
- Ne pas frotter la superficie d'aucun des composants optiques avec les mains.
- Les empreintes digitales peuvent endommager les parties optiques.

Pour les meilleurs résultats, utiliser le kit de nettoyage OPTIKA (voir le catalogue).

Conserver l'emballage d'origine dans le cas où il serait nécessaire de retourner le microscope au fournisseur pour un entretien ou une réparation.

12. Guide résolution des problèmes

Passer en revue les informations dans le tableau ci-dessous pour résoudre les problèmes opérationnels.

PROBLÈME	CAUSE	SOLUTION
I. Section Optique:		
La lampe est allumée mais le champ visuel est sombre	Les câbles d'alimentation ne sont pas branchés correctement. Les connecteurs ne sont pas bien raccordés	Brancher les correctement
	L'intensité lumineuse est trop faible	Procéder au réglage
Les bords du champ de vision sont vignettés ou la luminosité est asymétrique	L'illuminateur de lumière incidente n'est pas correctement orienté	Modification de l'angle de l'illuminateur d'incident
Des saletés ou des poussières sont présentes dans le champ visuel lorsque vous regarder dans l'oculaire	L'échantillon est sale	Nettoyer l'échantillon
	L'oculaire est sale	Nettoyer l'oculaire
Mauvaise qualité d'image: <ul style="list-style-type: none"> • L'image n'est pas nette • Le contraste est faible • Les détails sont indistincts • Réflexions dans l'image 	Les lentilles (lentilles supplémentaires, oculaires) sont sales	Nettoyer les composants optiques
La mise au point n'est pas homogène	L'échantillon n'est pas dans la bonne position (par ex. inclinée)	Déplacer l'échantillon jusqu'à trouver la position idéale
II. Section Mécanique:		
Commande macrométrique dur à tourner	Le col de réglage de la tension est trop serré	Desserrer le col de réglage de la tension
Mise au point instable	Le col de réglage de la tension est trop desserré	Serrer le col de réglage de la tension
III. Section Électrique:		
La lampe n'allumera pas	Pas d'alimentation électrique	Vérifier la connexion du câble d'alimentation
L'éclairage n'est pas assez	L'intensité lumineuse est faible	Ajuster l'éclairage
Éclairs de lumière	Connexion incorrecte du câble	Contrôler câble d'alimentation
IV. Tube d'observation:		
Champ visuel différent d'un oeil à l'autre	Distance interpupillaire incorrecte	Réglage distance interpupillaire
	Correction dioptrique incorrecte	Réglage correction dioptrique
	Observation technique incorrecte, efforts visuels de l'opérateur	Observation à travers l'objectif, ne pas fixer l'échantillon mais observer tout le champ visuel. De temps en temps éloigner les yeux, regarder un objet distant, et retourner à l'objectif
V. Microphotographie et vidéo:		
Les bords de l'image sont flous	Relatif en substance à la nature des objectifs achromatiques généralement	Minimiser le problème par un réglage correcte du diaphragme d'ouverture
Rais lumineux sur l'image	Entrée de lumière diffuse dans le microscope à travers les oculaires et le viseur de la caméra	Couvrir les oculaires et le viseur avec un pan de tissu obscur

Ramassage

Conformément à l'Article 13 du D.L du 25 Juillet 2005 n°151

Action des Directives 2002/95/CE, 2002/96/CE et 2003/108/CE, relatives à la réduction de l'utilisation de substances dangereuses dans l'appareil électrique et électronique et à l'élimination des résidus.



Le Symbole du conteneur qui figure sur l'appareil électrique ou sur son emballage indique que le produit devra être, à la fin de sa vie utile, séparé du reste des résidus. La gestion du ramassage sélectif du présent instrument sera effectuée par le fabricant. Par conséquent, l'utilisateur qui souhaite éliminer l'appareil devra se mettre en contact avec le fabricant et suivre le système que celui-ci a adopté pour permettre le ramassage sélectif de l'appareil. Le ramassage sélectif correct de l'appareil pour son recyclage, traitement et élimination compatible avec l'environnement contribue à éviter d'éventuels effets négatifs sur l'environnement et la santé et favorise sa réutilisation et/ou recyclage des composants de l'appareil. L'élimination du produit de manière abusive de la part de l'utilisateur entraînera l'application de sanctions administratives sur la norme en vigueur.

OPTIKA® S.r.l.

Via Rigla, 30 - 24010 Ponteranica (BG) - ITALY Tel.: +39 035.571.392
info@optikamicroscopes.com - www.optikamicroscopes.com

OPTIKA® Spain

spain@optikamicroscopes.com

OPTIKA® USA

usa@optikamicroscopes.com

OPTIKA® China

china@optikamicroscopes.com

OPTIKA® India

india@optikamicroscopes.com

OPTIKA® Central America

america@optikamicroscopes.com

SZ-Serie

BEDIENUNGSANLEITUNG

Modell	
SZ-A1	SZ-A6
SZX-B	SZX-T
SZX-BA	SZX-TA
SZO-B	SZO-T
SZ-ST1	SZ-ST2
SZ-ST3	SZ-ST7
SZ-ST8	SZ-OBL
ST-150	ST-152
SZ-STL1	SZ-STL2
SZ-STL3X	SZ-STL5
SZ-STL5A6	SZ-STL5LED

Ver. 2.6 2026



Inhalt

1.	Hinweis	204
2.	Sicherheitsinformationen	204
3.	Verpackungsinhalt	205
3.1	SZX-B / SZX-T / SZX-BA / SZX-TA	205
3.2	SZO-B / SZO-T	206
3.3	SZ-A1	206
3.4	SZ-A6	207
3.5	ST-150	207
3.6	ST-152	208
3.7	SZ-ST1	208
3.8	SZ-ST2 / SZ-ST3	209
3.9	SZ-ST7 / SZ-ST8	209
3.10	SZ-OBL	210
3.11	SZ-STL1	210
3.12	SZ-STL2	211
3.13	SZ-STL3X	211
3.14	SZ-STL5 / SZ-STL5A6	212
3.15	SZ-STL5LED	213
4.	Auspacken	214
5.	Verwendung	214
6.	Wartung- und Gefahrzeichen	214
7.	Beschreibung des Instruments	215
7.1	Systemdiagramm	215
7.2	SZX-B / SZX-T / SZX-BA / SZX-TA	216
7.3	SZO-B / SZO-T	216
7.4	SZ-A1	217
7.5	SZ-A6	217
7.6	ST-150	218
7.7	ST-152	218
7.8	SZ-ST1	219
7.9	SZ-ST2 / SZ-ST3	219
7.10	SZ-ST7 / SZ-ST8	220
7.11	SZ-OBL	220
7.12	SZ-STL1	221
7.13	SZ-STL2	221
7.14	SZ-STL3X	222
7.15	SZ-STL5 / SZ-STL5A6	222
7.16	SZ-STL5LED	223
8.	Montage	224
8.1	SZ-A1 / SZ-A6	224
8.2	SZ-ST1 / ST-150	224
8.3	ST-152	224
8.4	SZ-ST2 / SZ-ST3	224
8.5	SZ-ST7 / SZ-ST8 / SZ-OBL	225
8.6	SZ-STL1	225
8.7	SZ-STL2	228
8.8	SZ-STL3X	230
8.9	SZ-STL5 / SZ-STL5A6 / SZ-STL5LED	232
8.9.1	Tischbefestigung mit Klemme	232
8.9.2	Tischbefestigung mit Durchgangsbohrung	233
8.10	Kopf montieren (alle Modelle)	234
8.11	Okulare montieren (alle Modelle)	234
8.12	Installieren den Foto-Ausgang (SZX-T/TA)	234
9.	Verwendung des Mikroskops	235
9.1	Einstellen des Augenabstandes	235
9.2	Fokussierung	235
9.3	Einstellen der Fokusspannung	235
9.3.1	SZ-A1	235
9.3.2	SZ-A6	235
9.4	Dioptrienkompensation	236
9.5	Vergrößerung	237
9.6	Verwendung zusätzlicher Objektive	237

9.7	Verwendung zusätzlicher Objektive 0.3X-0.5X	238
9.8	Schwarz/weiß Platte (SZ-ST1 / 2 / 3 / 7 / 8)	238
9.9	Verwendung der Beleuchtung (SZ-ST2 / 3 / 7 / 8)	239
9.10	Verwendung der Beleuchtung (SZ-OBL)	239
9.11	Verwendung von Augenschirmen (SZO-B / T)	239
9.12	Verwendung von Kragarmstützen	241
9.12.1	SZ-STL1	241
9.12.2	SZ-STL2	242
9.12.3	SZ-STL3X	243
9.12.4	SZ-STL5 / SZ-STL5A6 / SZ-STL5LED	245
10.	Mikrofotografie	246
10.1	Verwendung von C-Mount Kameras	246
10.2	Verwendung von Spiegelreflexkameras	246
11.	Wartung	247
12.	Probleme und Lösungen	248
	Wiederverwertung	249

1. Hinweis

Dieses Mikroskop ist ein wissenschaftliches Präzisionsgerät, es wurde entwickelt für eine jahrelange Verwendung bei einer minimalen Wartung. Dieses Gerät wurde nach den höchsten optischen und mechanischen Standards und zum täglichen Gebrauch hergestellt. Diese Bedienungsanleitung enthält wichtige Informationen zur korrekten und sicheren Benutzung des Geräts. Diese Anleitung soll allen Benutzern zur Verfügung stehen.

Wir lehnen jede Verantwortung für eine fehlerhafte, in dieser Bedienungsanleitung nicht gezeigten Verwendung Ihrer Produkte ab.

2. Sicherheitsinformationen



Elektrische Entladung verhindern

Bevor Sie das Netzkabel anstecken, vergewissern Sie sich, dass die Spannung für das Mikroskop geeignet ist und dass der Beleuchtungsschalter sich in Position OFF befindet.

Beachten Sie alle Sicherheitsvorschriften des Arbeitsplatzes, an dem Sie mit dem Mikroskop arbeiten. Das Gerät entspricht den CE-Normen. Die Benutzer tragen während der Nutzung des Geräts die volle Verantwortung dafür.

3. Verpackungsinhalt

3.1 SZX-B / SZX-T / SZX-BA / SZX-TA



- ① Körpermikroskop
 - SZX-B/BA Binokular / SZX-T/TA Trinokular
- ② Okulare

- ③ Inbusschrauben (nur für SZX-T/TA)
- ④ Staubschutzhaube
- ⑤ Foto-Ausgabering (nur für SZX-T/TA)

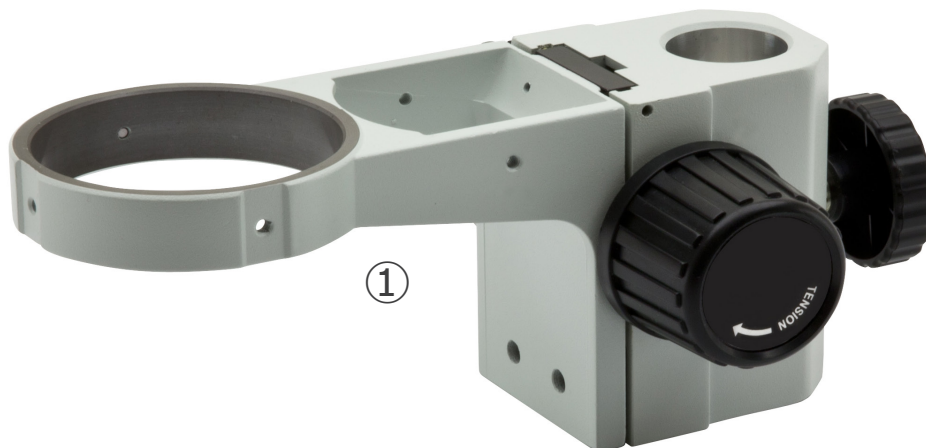
3.2 SZO-B / SZO-T



- ① Körpermikroskop
- SZO-B Binokular / SZO-T Trinokular
- ② Okulare

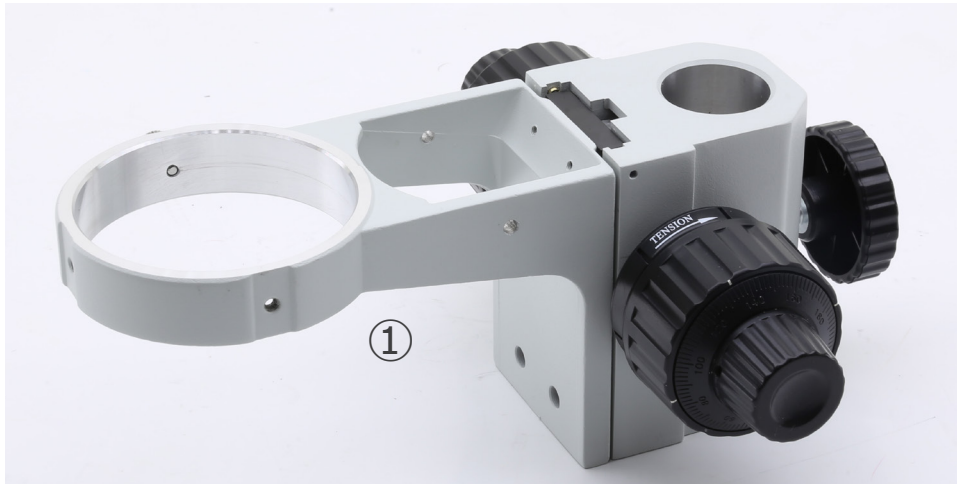
- ③ Inbusschrauben (nur für SZO-T)
- ④ Staubschutzhaube
- ⑤ Foto-Tubus (nur für SZO-T)

3.3 SZ-A1



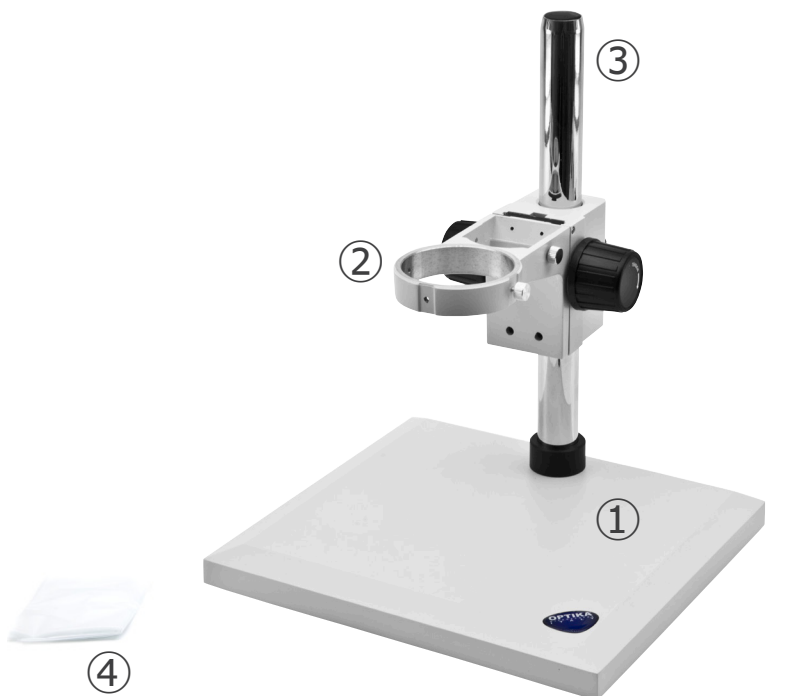
- ① Makro-Fokus

3.4 SZ-A6



① Macro-micro Fokus

3.5 ST-150



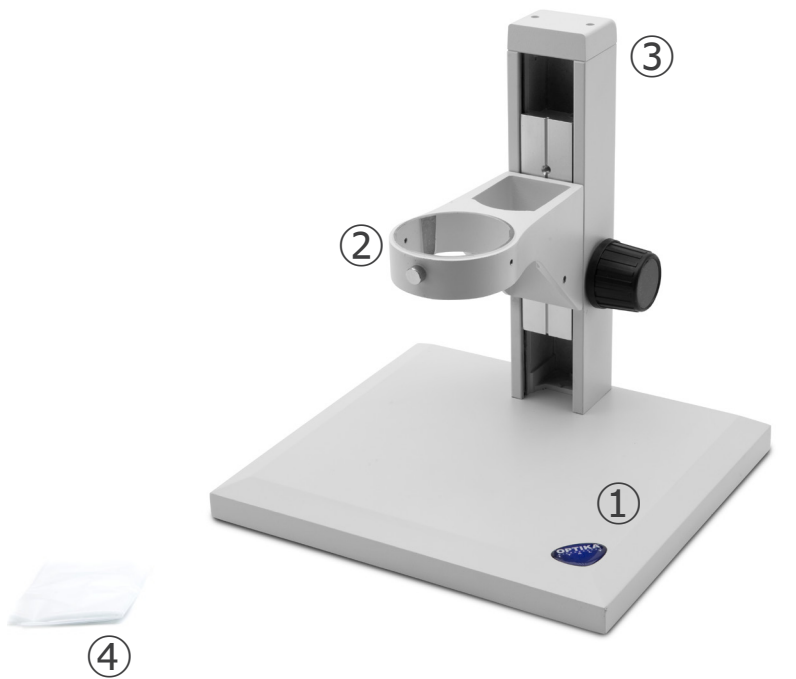
① Base

② Kopfhaltung / Fokussystem

③ Stütze

④ Staubschutzhaube

3.6 ST-152



① Base

② Kopfhalterung / Fokussystem

③ Stütze

④ Staubschutzhaube

3.7 SZ-ST1



① Base

② Muster-Clips (ein Paar)

③ Weiß / schwarze Scheibe

3.8 SZ-ST2 / SZ-ST3



- ① Base
- ② Opale Scheibe
- ③ Muster-Clips (ein Paar)

- ④ Auflichtbeleuchtung
- ⑤ Weiß / schwarze Scheibe
- ⑥ Netzteile

3.9 SZ-ST7 / SZ-ST8



- ① Base
- ② Opale Scheibe
- ③ Bühnenclips (ein Paar)

- ④ Weiß / schwarze Scheibe
- ⑤ Netzteile

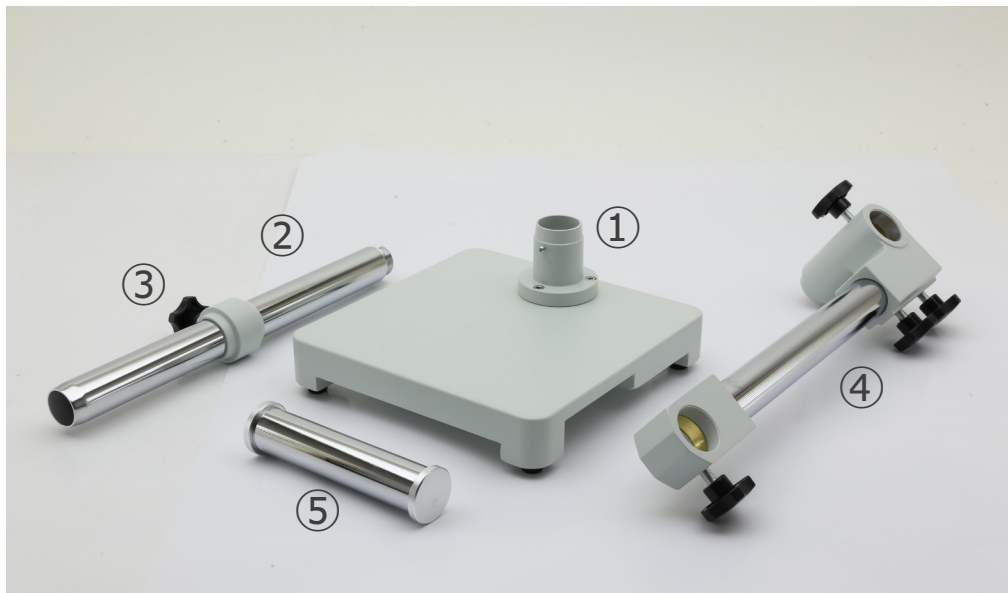
3.10 SZ-OBL



- ① Base
- ② Stütze
- ③ Glasplatte

- ④ Netzteile
- ⑤ Staubschutzhülle

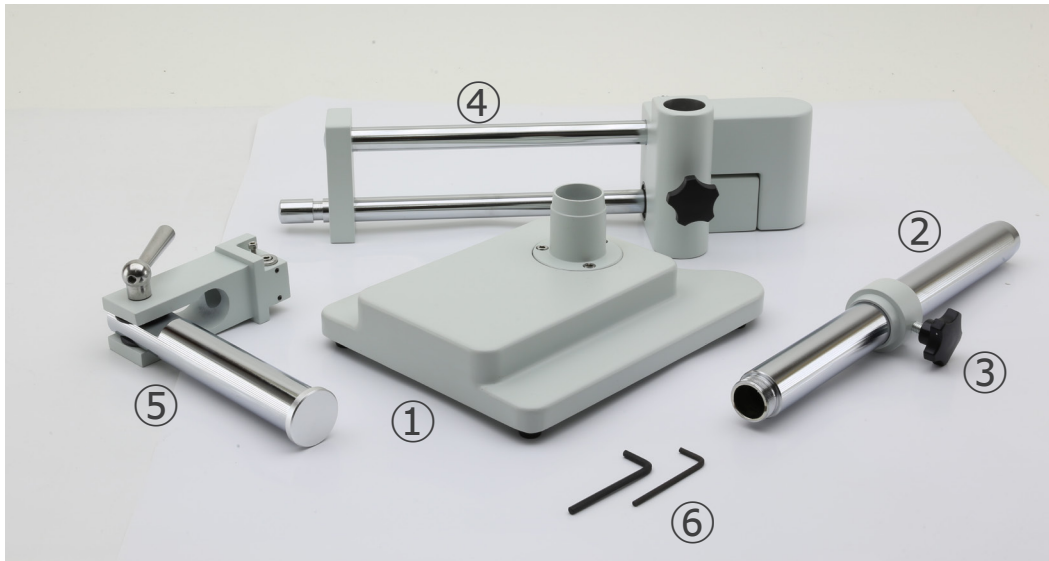
3.11 SZ-STL1



- ① Base
- ② Vertikaler Arm
- ③ Absturzsicherungsring

- ④ Horizontaler Arm
- ⑤ Stützarm-Fokussiersystem

3.12 SZ-STL2



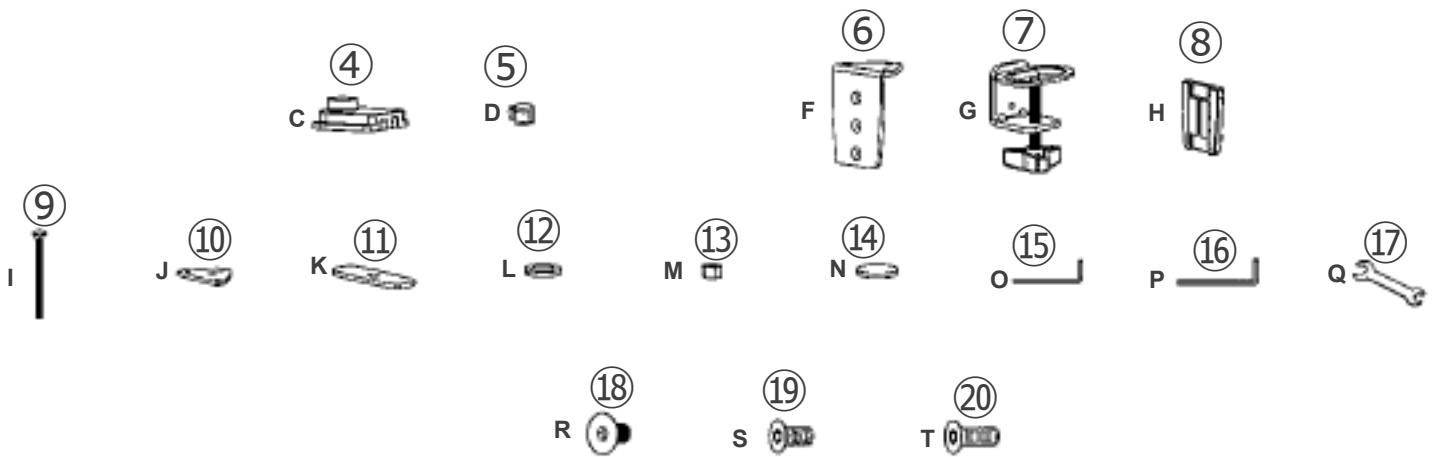
- ① Base
- ② Vertikaler Arm
- ③ Absturzsicherungsring
- ④ Horizontaler Arm
- ⑤ Stützarm-Fokussiersystem
- ⑥ Inbusschrauben

3.13 SZ-STL3X



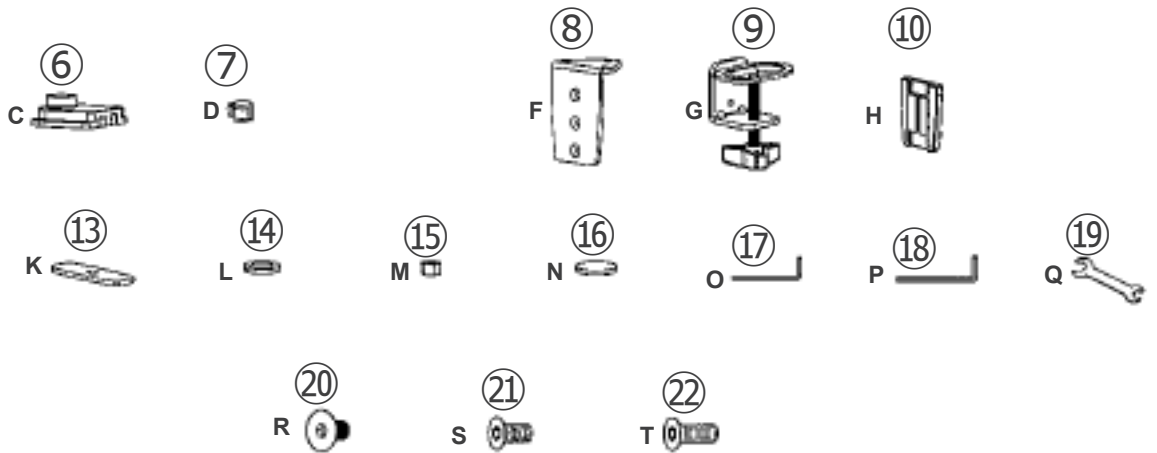
- ① Base
- ② Vertikaler Arm
- ③ Horizontaler Arm
- ④ Absturzsicherungsring
- ⑤ Fokussiersystem
- ⑥ Inbusschrauben

3.14 SZ-STL5 / SZ-STL5A6



- | | |
|--|---------------------------------|
| ① Stütze | ⑩ Befestigungsplatte (J) |
| ② Horizontaler Arm | ⑪ Befestigungsplatte (K) |
| ③ Kopfhalterung / Fokussystem | ⑫ Unterlegscheibe (L) |
| • SZ-STL5: macro | ⑬ Mutter (M) |
| • SZ-STL5A6: macro/micro | ⑭ Gummidämpfer (4 Stück) (N) |
| ④ Tischklemme (C) | ⑮ Inbusschlüssel 4mm (O) |
| ⑤ Fallschutzring / Kabelhalter (D) | ⑯ Inbusschlüssel 6mm (P) |
| ⑥ Klemmenhalter (F) | ⑰ Schraubenschlüssel (Q) |
| ⑦ Klemme (G) | ⑱ Schrauben M6x10 (2 Stück) (R) |
| ⑧ Kunststoffabdeckung (H) | ⑲ Schrauben M6x12 (3 Stück) (S) |
| ⑨ Schraube für Durchgangslochmontage (I) | ⑳ Schrauben M6x16 (3 Stück) (T) |

3.15 SZ-STL5LED



- | | |
|---|---------------------------------|
| ① Stütze | ⑫ Befestigungsplatte (J) |
| ② Horizontaler Arm | ⑬ Befestigungsplatte (K) |
| ③ Kopfhalterung / Fokussystem | ⑭ Unterlegscheibe (L) |
| ④ LED-Selbsttragende Arme | ⑮ Mutter (M) |
| ⑤ Beleuchtungssteuergerät mit Stromversorgung | ⑯ Gummidämpfer (4 Stück) (N) |
| ⑥ Tischklemme (C) | ⑰ Inbusschlüssel 4mm (O) |
| ⑦ Fallschutzring / Kabelhalter (D) | ⑱ Inbusschlüssel 6mm (P) |
| ⑧ Klemmenhalter (F) | ⑲ Schraubenschlüssel (Q) |
| ⑨ Klemme (G) | ⑳ Schrauben M6x10 (2 Stück) (R) |
| ⑩ Kunststoffabdeckung (H) | ㉑ Schrauben M6x12 (3 Stück) (S) |
| ⑪ Schraube für Durchgangslochmontage (I) | ㉒ Schrauben M6x16 (3 Stück) (T) |

4. Auspacken

Das Mikroskop ist in einer Schachtel aus Styroporschicht enthalten. Entfernen Sie das Klebeband von der Schachtel und öffnen Sie mit Vorsicht den oberen Teil, ohne Objektive und Okulare zu beschädigen. Mit beiden Händen (eine um dem Stativ und eine um der Basis) ziehen Sie das Mikroskop aus der Schachtel heraus und stellen Sie es auf eine stabile Oberfläche.



Berühren Sie optische Oberflächen wie Linsen, Filter oder Glas nicht mit bloßen Händen. Spuren von Fett oder anderen Rückständen können die endgültige Bildqualität beeinträchtigen und die Optikoberfläche in kurzer Zeit angreifen.

5. Verwendung

Standardmodelle

Nur für Forschung und Lehre verwenden. Nicht für therapeutische oder diagnostische Zwecke bei Tieren oder Menschen bestimmt.

IVD-Modelle

Auch für diagnostische Zwecke, um Informationen über die physiologische oder pathologische Situation des Patienten zu erhalten.

6. Wartung- und Gefahrzeichen

Die folgende Tabelle zeigt die Symbole, die in dieser Anleitung verwendet werden.



VORSICHT

Dieses Symbol zeigt eine potentielle Gefahr und warnt, mit Vorsicht zu verfahren.



ELEKTRISCHE ENTLADUNG

Dieses Symbol weist auf eine Gefahr von Stromschlägen.

7. Beschreibung des Instruments

7.1 Systemdiagramm



7.2 SZX-B / SZX-T / SZX-BA / SZX-TA



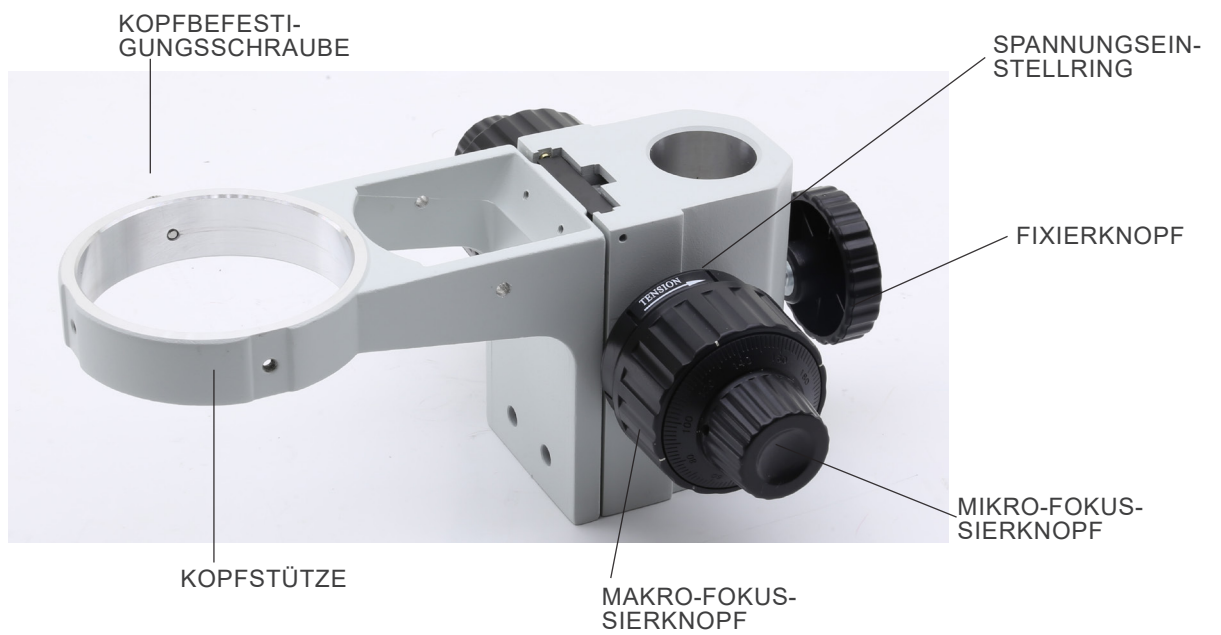
7.3 SZO-B / SZO-T



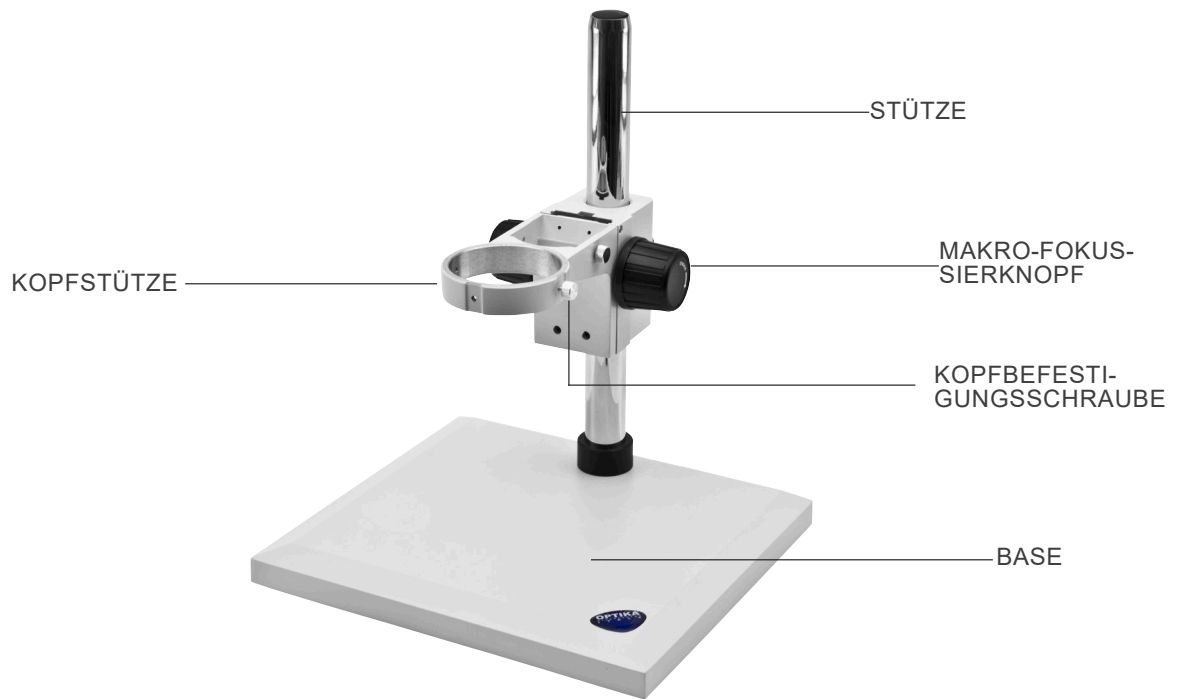
7.4 SZ-A1



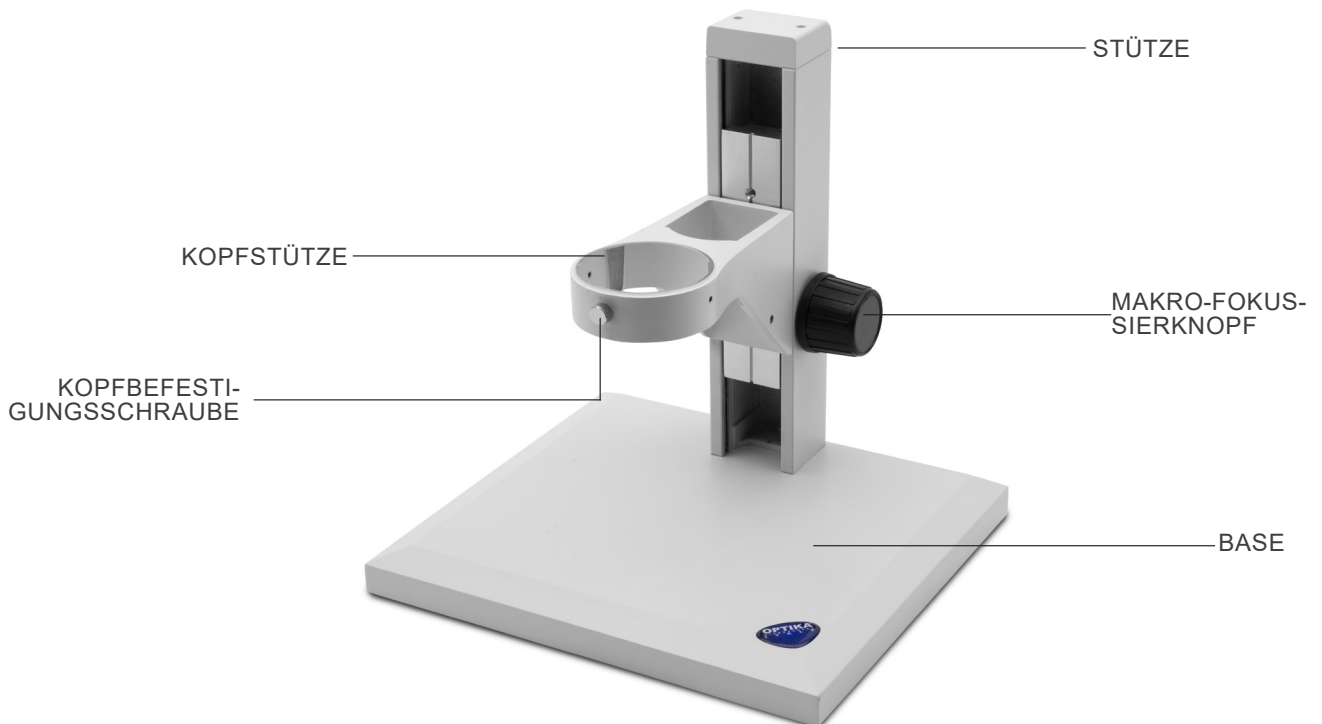
7.5 SZ-A6



7.6 ST-150



7.7 ST-152



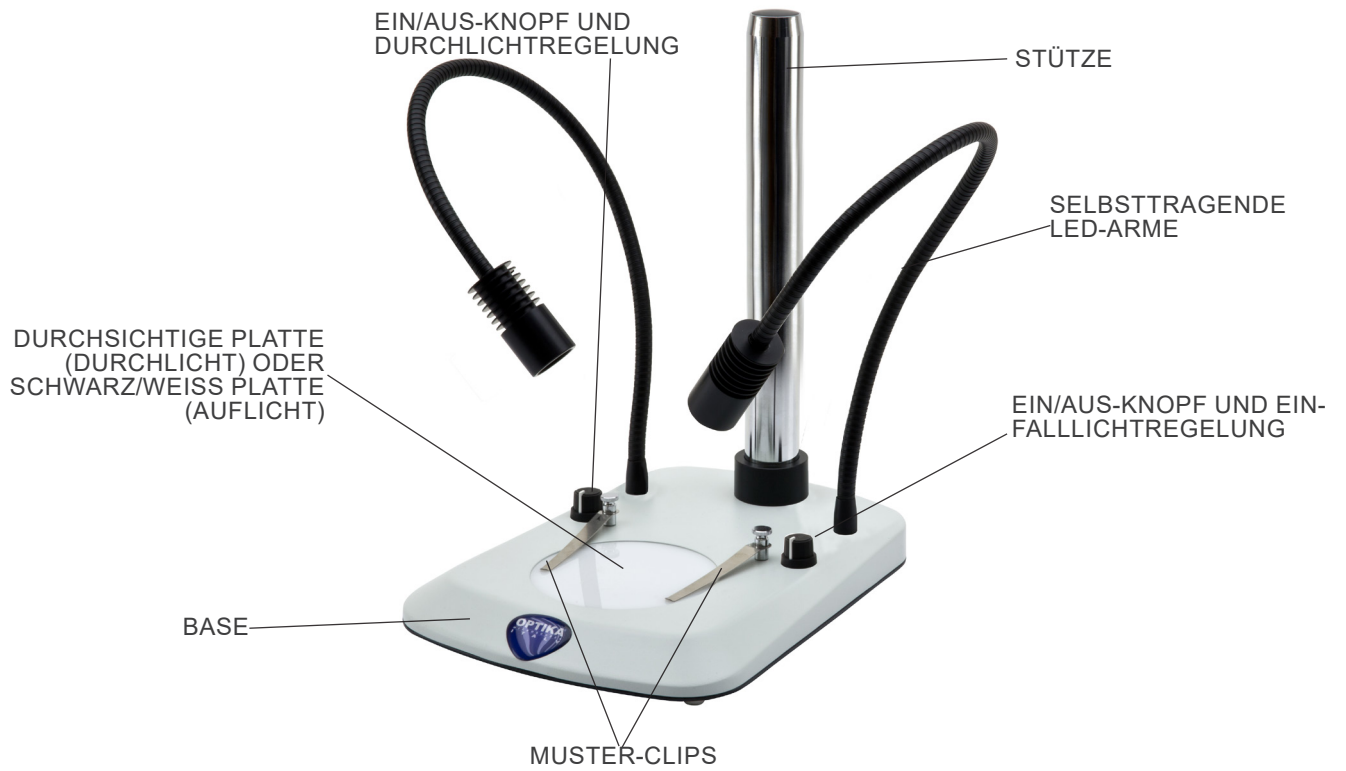
7.8 SZ-ST1



7.9 SZ-ST2 / SZ-ST3



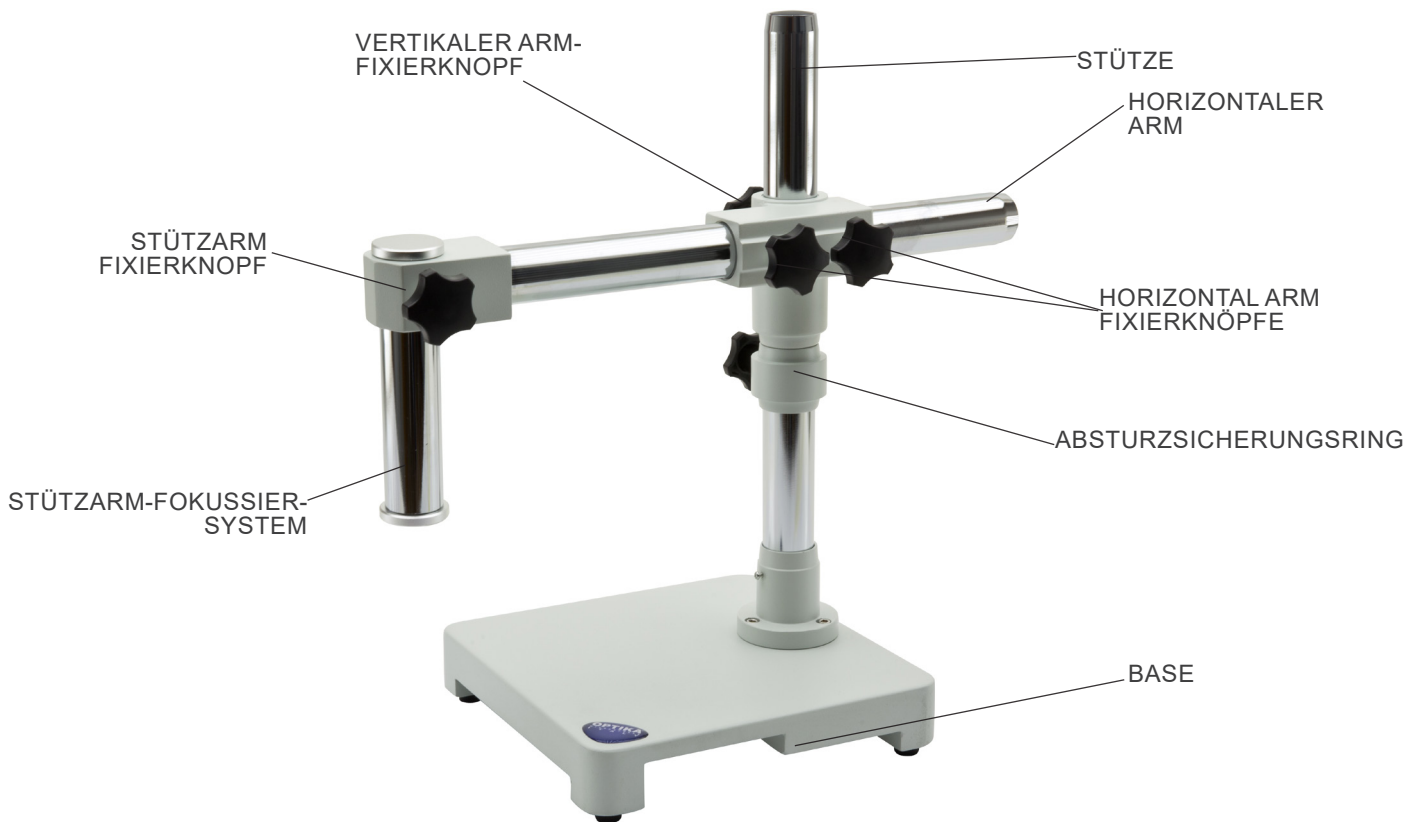
7.10 SZ-ST7 / SZ-ST8



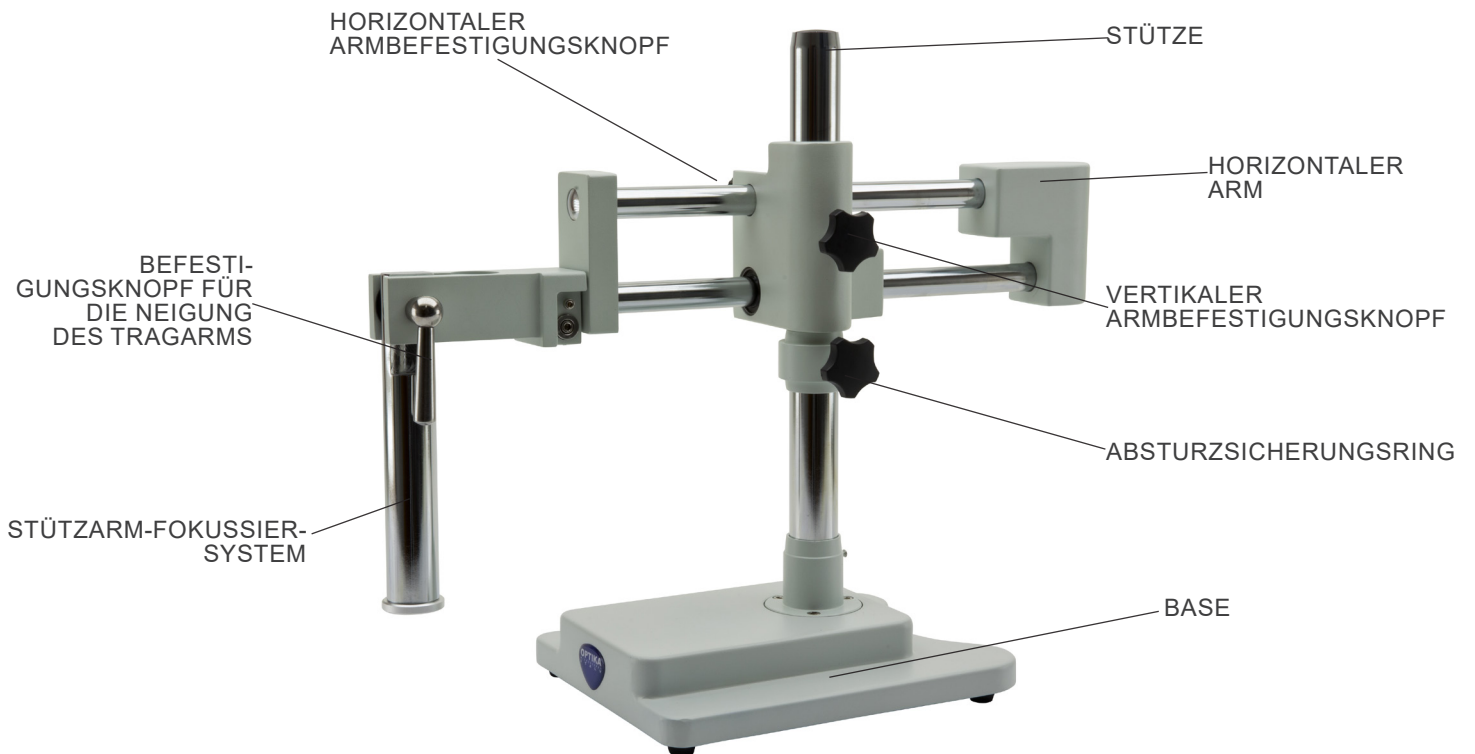
7.11 SZ-OBL



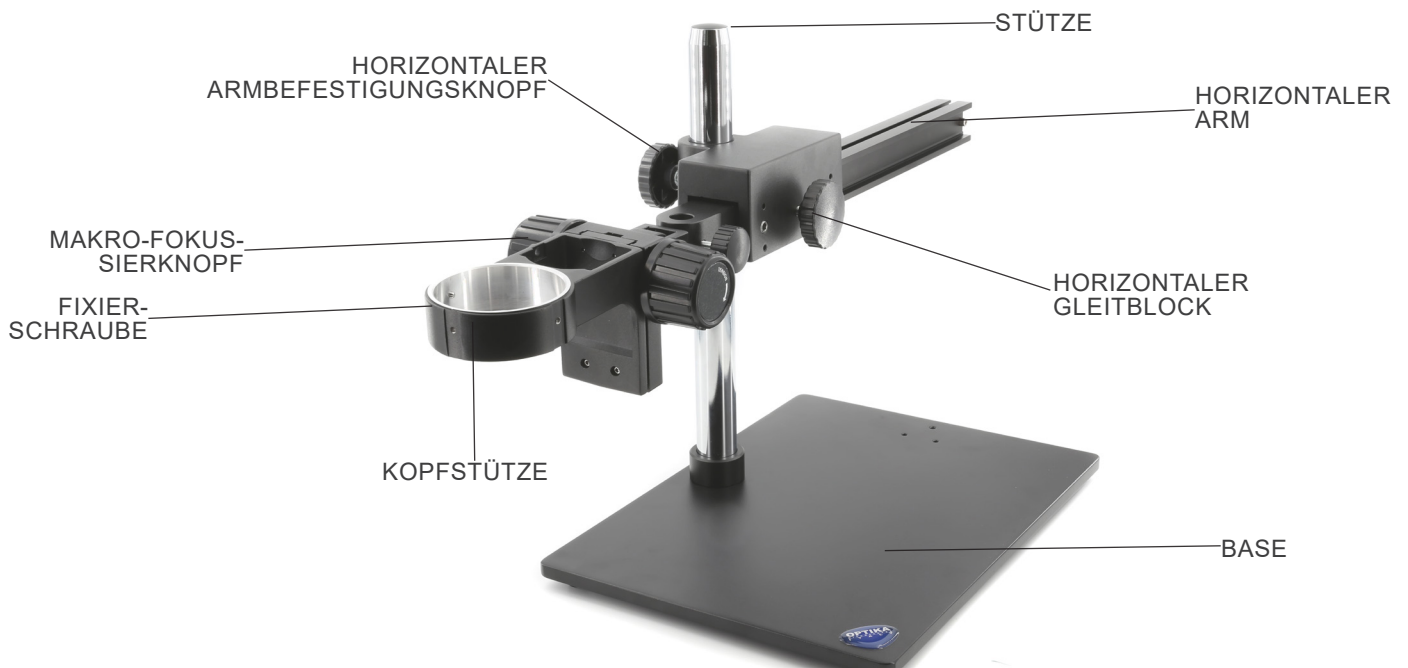
7.12 SZ-STL1



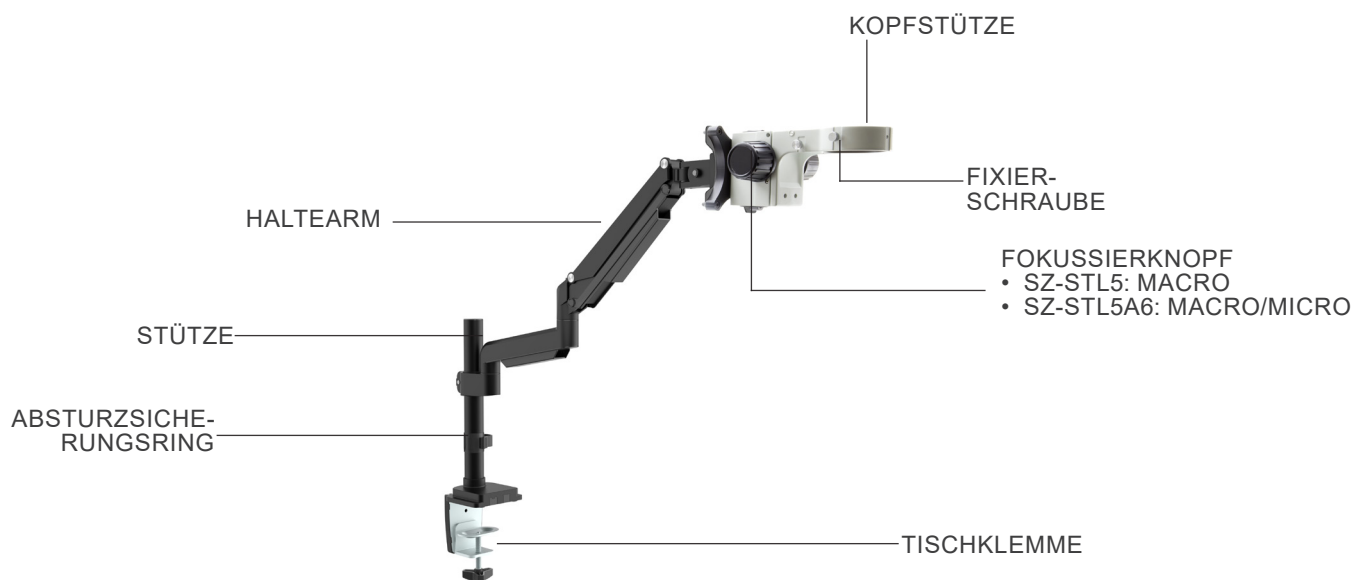
7.13 SZ-STL2



7.14 SZ-STL3X



7.15 SZ-STL5 / SZ-STL5A6



7.16 SZ-STL5LED



8. Montage

8.1 SZ-A1 / SZ-A6

- Die Montage der Fokussiersysteme SZ-A1 und SZ-A6 gilt für alle Sockel außer ST-152, SZ-STL1, SZ-STL2, SZ-STLX und SZ-STL5. Für die Montage auf diesen Sockeln beachten bitte den jeweiligen Abschnitt.
- Stellen das Fokussiersystem auf die Säule und ziehen, sobald die gewünschte Höhe erreicht ist, den Verriegelungsknopf ① auf der Rückseite des Fokussiersystems fest. (Fig. 1)

8.2 SZ-ST1 / ST-150

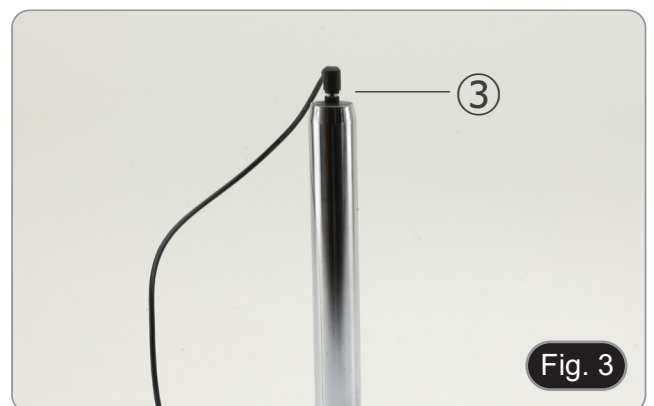
- Nehmen den Boden aus der Verpackung und legen ihn auf eine ebene Fläche. Die Basis ist bereits ab Werk montiert und erfordert keine weiteren Montagearbeiten außer der Montage des Fokussiersystems.

8.3 ST-152

- Nehmen die Basis aus der Verpackung und legen sie auf eine ebene Fläche. Die Basis ist bereits ab Werk montiert und erfordert keine weitere Montage.

8.4 SZ-ST2 / SZ-ST3

- Installieren den LED-Strahler für Auflicht wie in Fig. 2 gezeigt.
 - Durch Lösen der Befestigungsschraube ② können den Neigungswinkel des Strahlers verändern, um die Ausleuchtung der Probe zu optimieren.
- Den Gerätestecker in den Stecker an der Oberseite der Säule ③ stecken. (Fig. 3)



3. Schließen den Netzstecker an den Anschluss auf der Rückseite des Mikroskopstativs an. (Fig. 4)



8.5 SZ-ST7 / SZ-ST8 / SZ-OBL

1. Nehmen den Boden aus der Verpackung und legen ihn auf eine ebene Fläche. Die Basis ist bereits ab Werk montiert und erfordert keine weiteren Montagearbeiten außer der Montage des Fokussiersystems.
2. Schließen den Netzstecker an den Anschluss auf der Rückseite des Mikroskopstativs an. (Fig. 4)

8.6 SZ-STL1

1. Schrauben die Säule an den Sockel. (Fig. 5)



2. Ziehen die Schrauben an, um die Säule zu sichern. (Fig. 6)



3. Setzen den Absturzsicherungsring ein und befestigen ihn in der gewünschten Höhe durch Aufschrauben des Befestigungsknopfes. (Fig. 7)



4. Setzen den Horizontalarm ein und sichern ihn mit der Befestigungsschraube ①. (Fig. 8 - 9)



5. Montieren den Kopfhalter. Lösen den Verriegelungsknopf ③ und stecken den Arm für die Fokussierhilfe von oben ② in die Bohrung des Horizontalarms. (Fig. 10)



6. Nach dem vollständigen Einsetzen die Befestigungsschraube ④ sichern. (Fig. 11)



7. Setzen das Fokussiersystem von unten ein, ziehen die Befestigungsschraube ⑤ an und ziehen den Verriegelungsknopf ③ von unten wieder an. (Fig. 12-13)



8.7 SZ-STL2

1. Schrauben die Säule an den Sockel. (Fig. 14)



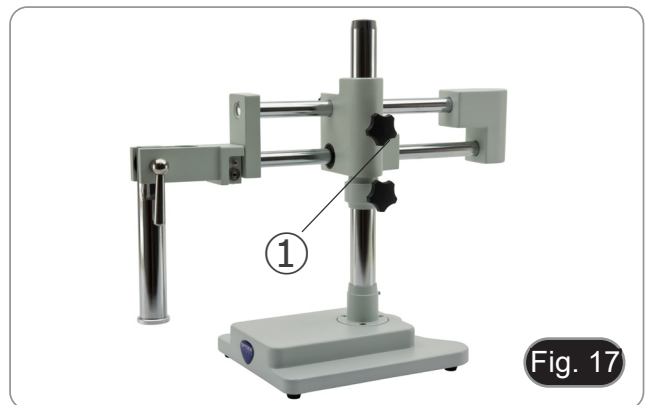
2. Ziehen die Schrauben an, um die Säule zu sichern. (Fig. 15)



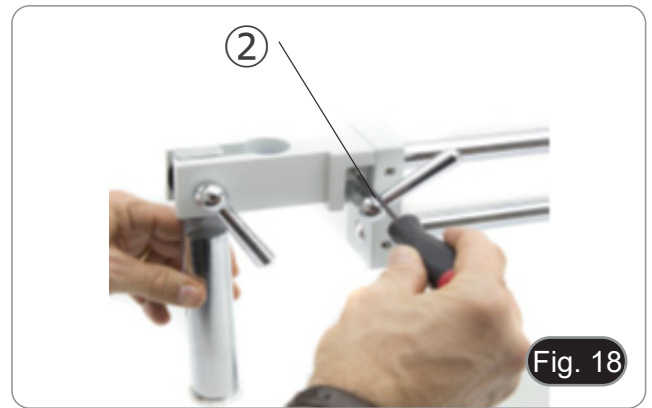
3. Setzen den Absturzsicherungsring ein und befestigen ihn in der gewünschten Höhe durch Aufschauben des Befestigungsknopfes. (Fig. 16)



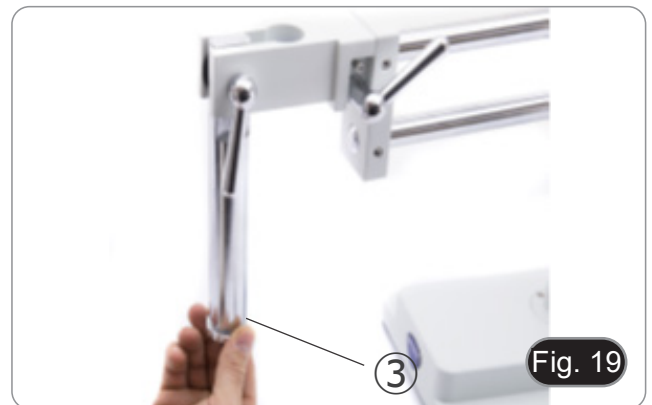
4. Setzen den Horizontalarm ein und sichern ihn mit der Befestigungsschraube ① (Fig. 17).



5. Zur zusätzlichen Sicherheit ziehen die Befestigungsschraube ② mit dem mitgelieferten Inbusschlüssel an. (Fig. 18)

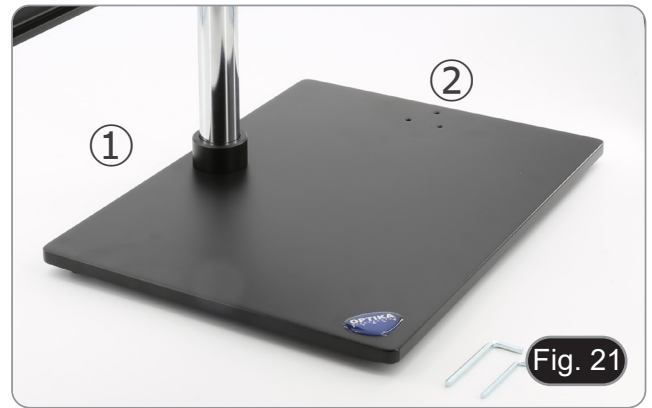


6. Installieren das Fokussiersystem. Lösen den Verriegelungsknopf ③ und setzen die Halterung ④ von unten in den Vertikalarm ein. Schrauben anschließend den Verriegelungsknopf ③ wieder auf. (Fig. 19-20)



8.8 SZ-STL3X

1. Setzen Sie die drei Befestigungsschrauben der Säule von der Unterseite des Sockels aus ein und ziehen Sie die Schrauben mit dem mitgelieferten 3-mm-Inbusschlüssel fest.
 - Je nach Bedarf des Betreibers kann die Säule an der langen Seite ① oder an der kurzen Seite ② des Sockels befestigt werden. (Fig. 21)



2. Setzen den Absturzsicherungsring ein und befestigen ihn in der gewünschten Höhe durch Aufschauben des Befestigungsknopfes. (Fig. 22)



3. Setzen den Horizontalarm ein und sichern ihn mit der Befestigungsschraube ③. (Fig. 23)

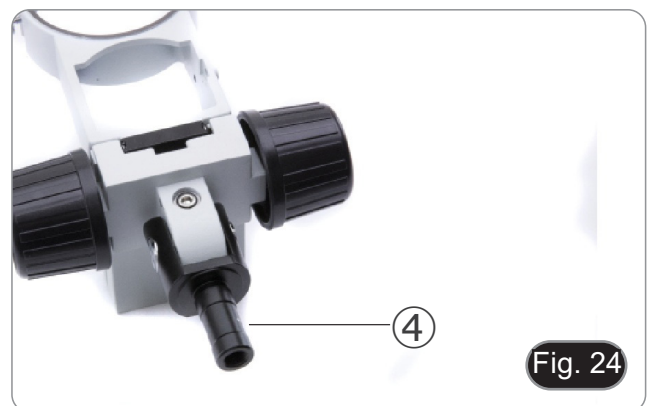


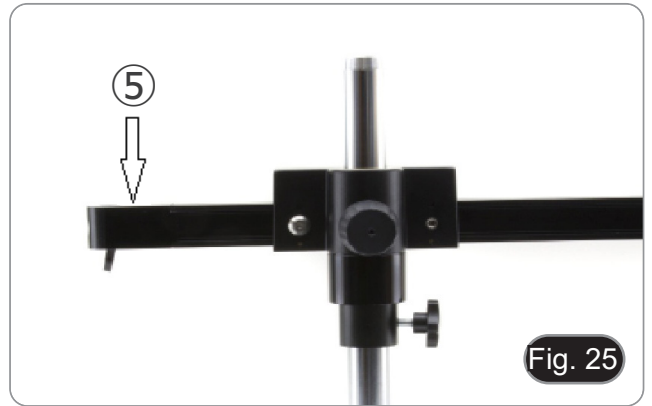
4. Der Kopfhalter kann je nach den spezifischen Bedürfnissen des Benutzers auf unterschiedliche Weise installiert werden.

Installationsmodus Nr. 1: (Fig. 24-26)

Den hinteren Teil der Kopfstütze (schwarzer Rundteil) ④ (Fig. 25) von oben in die Bohrung des Horizontalarms ⑤ (Fig. 25) und mit dem Befestigungsknopf ⑥ verriegeln. (Fig. 26)

- **Dieser Modus ermöglicht die Installation von schweren Köpfen (oder mit schweren Kameras, die über dem Kopf installiert sind).**





Installationsmodus Nr. 2: (Fig. 27)

Den hinteren Teil der Kopfstütze (schwarzer Rundteil) ④ (Fig. 24) in die Bohrung am Ende des Horizontalarms einsetzen und mit dem Befestigungsknopf ⑥ verriegeln. (Fig. 27)



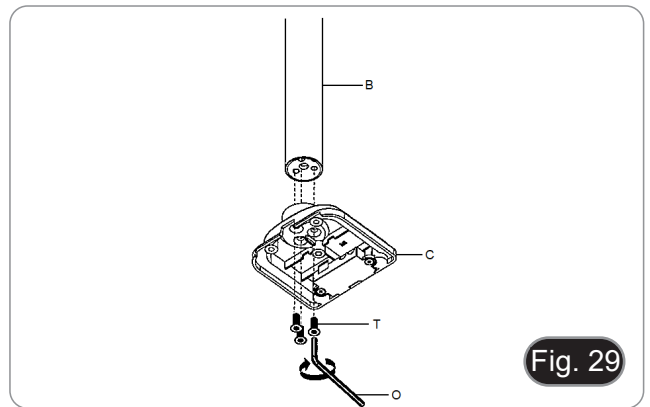
- In diesem Modus können den Kopf neigen. (Fig. 28)



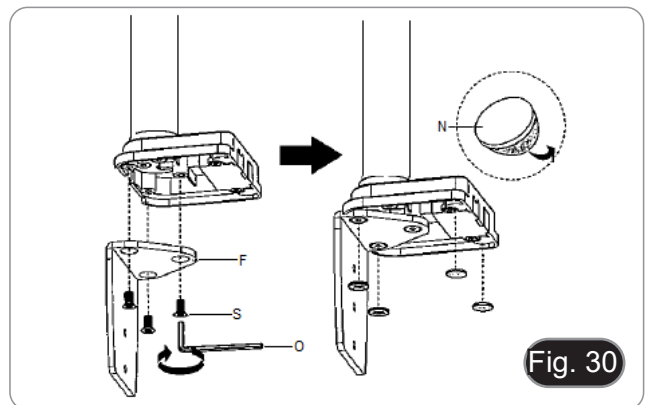
8.9 SZ-STL5 / SZ-STL5A6 / SZ-STL5LED

8.9.1 Tischbefestigung mit Klemme

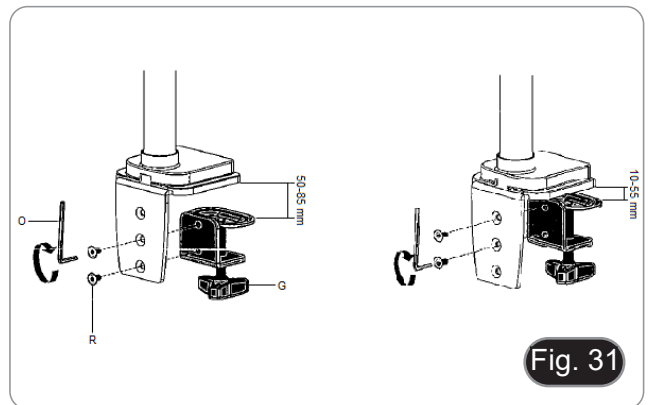
1. Befestigen Sie die Stütze (B) mit den drei Schrauben (T) an der Tischklemme (C). (Fig. 29)



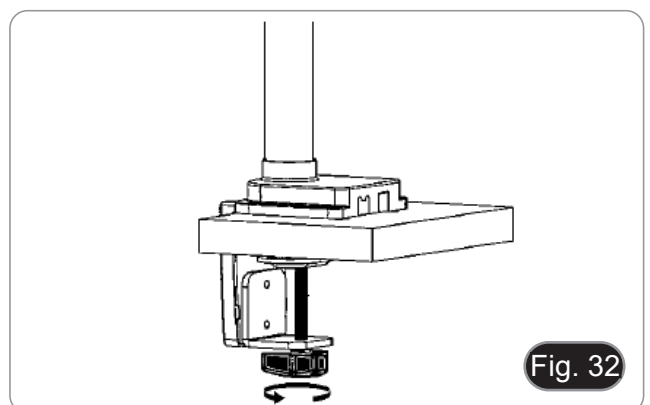
2. Befestigen Sie den Klemmhalter (E) mit den drei Schrauben (S) an der Tischklemme (C). (Fig. 30)
3. Kleben Sie die Gummidämpfer (N) auf die Tischklemme.



4. Befestigen Sie die Klammer (G) mit den beiden Schrauben (R) am Klammerhalter (F). (Fig. 31)
- **HINWEIS:** Je nach Dicke des Tisches kann die Klemme (G) in zwei verschiedenen Positionen angebracht werden.



5. Bringen Sie die Kunststoffabdeckung (H) an der Klemmhalterung an und befestigen Sie die Baugruppe dann mit dem Befestigungsknopf am Tisch. (Fig. 32)
- **HINWEIS:** Die Kunststoffabdeckung (H) dient auch als Behälter für die Inbuschlüssel, die für die Montage und die Einstellung der Spannung der verschiedenen Teile verwendet werden.



6. Setzen Sie den Fallschutzring (D) in die Stütze ein.
7. Setzen Sie den flexiblen Arm (A) ein und ziehen Sie die Befestigungsschraube an. (Fig. 33)

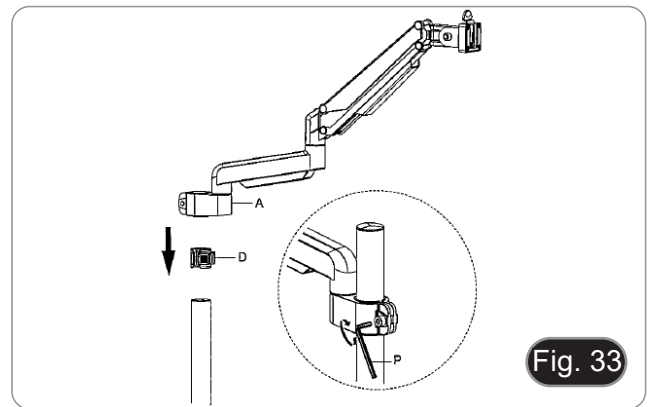


Fig. 33

8.9.2 Tischbefestigung mit Durchgangsbohrung

1. Bohren Sie ein Loch in den Tisch an der Stelle, an der Sie den Ständer montieren wollen.
2. Wiederholen Sie den Vorgang wie in Schritt 1) des Kapitels 8.9.1 beschrieben.
3. Setzen Sie die Schraube (I) in die Befestigungsplatte (J) ein.
4. Ziehen Sie die Befestigungsplatte mit den drei Schrauben (S) fest. (Fig. 34)
5. Kleben Sie die Gummidämpfer (N) auf die Tischklemme.

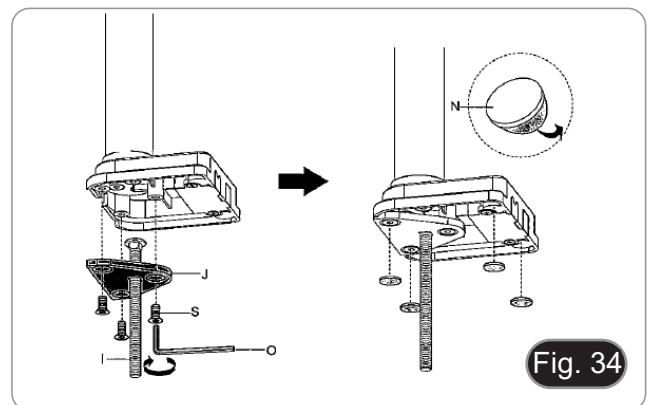


Fig. 34

6. Stecken Sie die Schraube (I) in die Bohrung des Tisches.
7. Befestigen Sie die Baugruppe mit der Befestigungsplatte (K), der Unterlegscheibe (L) und der Mutter (M).
8. Ziehen Sie die Mutter mit dem Schraubenschlüssel (Q) fest. (Fig. 35)
9. Wiederholen Sie die Schritte 6) und 7) in Kapitel 8.2.1, um den flexiblen Arm zu installieren.

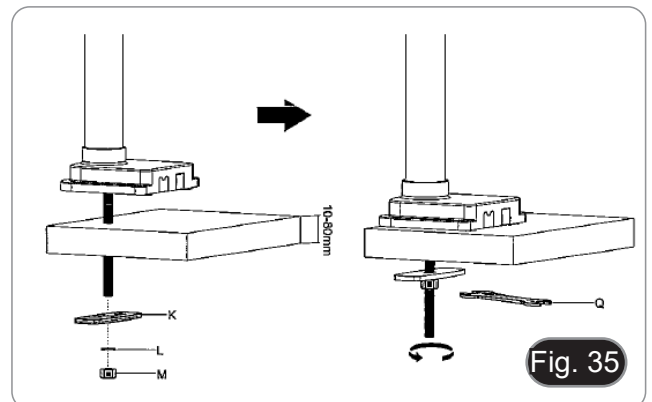


Fig. 35

10. Montieren den Fokus mit den mitgelieferten Schrauben und dem Inbusschlüssel am Arm. (Fig. 36)

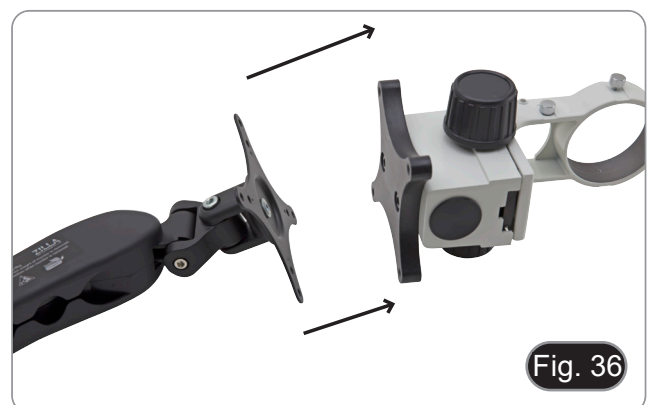


Fig. 36

8.10 Kopf montieren (alle Modelle)

Setzen den Kopf ein und sichern die Verriegelungsschraube. (Fig. 37)



8.11 Okulare montieren (alle Modelle)

1. Entfernen die Staubschutzkappen von den Okularhaltern und setzen die Okulare ein. (Fig. 38)
2. Verriegeln die Okulare, indem die Sicherungsschraube ① anziehen.

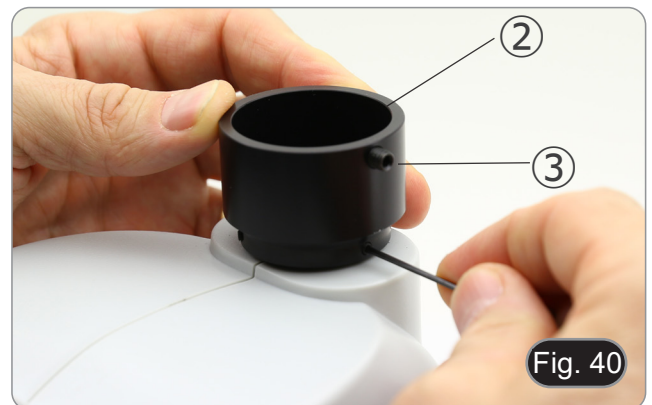


8.12 Installieren den Foto-Ausgang (SZX-T/TA)

1. Lösen die Befestigungsschrauben ① des mitgelieferten Foto-Ausgangs und entfernen den vorhandenen Foto-Ausgang. (Fig. 39)



2. Setzen den Ring des Fotoausgangs ② ein und achten darauf, dass die Befestigungsschraube des Fotoadapters ③ nach rechts zeigt. (Fig. 40)
3. Ziehen die Befestigungsschrauben ① an. (Fig. 39)

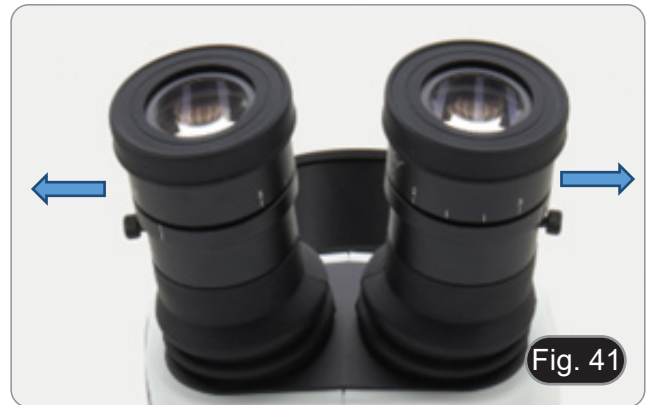


9. Verwendung des Mikroskops

9.1 Einstellen des Augenabstandes

1. Halten den linken und rechten Okularhalter mit beiden Händen und stellen den Augenabstand durch Bewegen der Röhren ein, bis nur noch ein Bild zu sehen ist. (Fig. 41).

 - Wenn man sich zwei Bilder ansieht, ist der Abstand zu groß.
 - Betrachtet man zwei sich überlappende Kreise, ist der Abstand zu klein.



9.2 Fokussierung

1. Legen die zu beobachtende Probe auf die Platte und fokussieren mit den Fokussierknöpfen auf dem Stativ ①.

 - Falls erforderlich, stellen die Höhe des Mikroskopstativs entlang der vertikalen Säule ein.
 - Nach der Höhenverstellung die Verriegelungsschraube ② sichern. (Fig. 42)

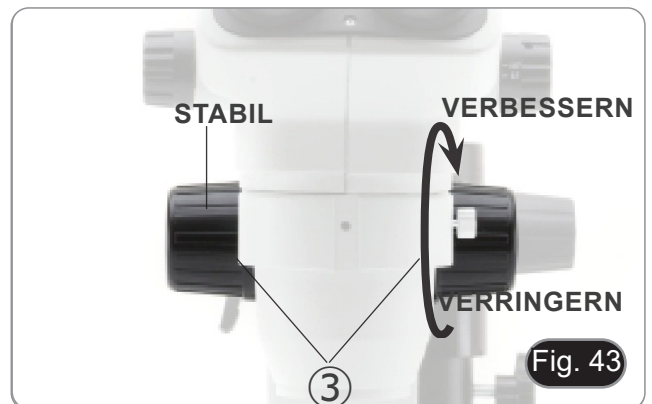


9.3 Einstellen der Fokusspannung

- Mit dieser Einstellung können die Spannung der Fokussierknöpfe erhöhen oder verringern, um ein unerwünschtes Absinken des Mikroskops unter seinem Eigengewicht zu vermeiden. Stellen die Spannung knapp über dem Fokusstabilitätspunkt ein.

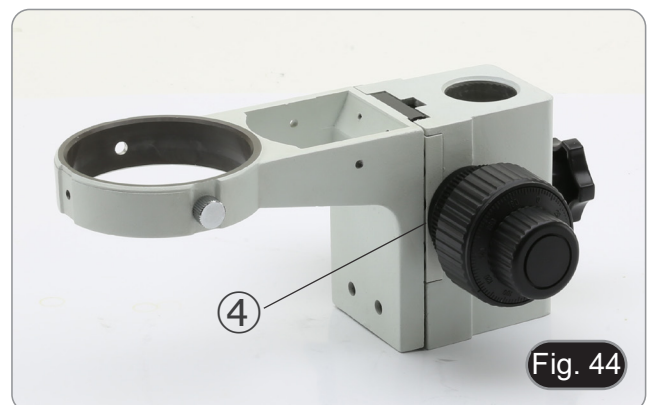
9.3.1 SZ-A1

Fassen die Knöpfe ③ mit beiden Händen und drehen den rechten Knopf, während den linken Knopf halten. Je nach Drehrichtung des rechten Knopfes erhöht oder verringert sich die Spannung. (Fig. 43)



9.3.2 SZ-A6

Drehen den Einstellring ④ im Uhrzeigersinn, bis die gewünschte Spannung erreicht ist. Durch Drehen gegen den Uhrzeigersinn sinkt die Spannung, was zu einem Verlust des Fokus führt. (Fig. 44)



9.4 Dioptrienkompensation

- **Diese Kompensation ermöglicht es Brillenträgern, das Mikroskop an ihr Sehvermögen anzupassen und das Mikroskop ohne Brille zu benutzen.**

1. Zoom auf minimale Vergrößerung ① und Fokussierung mit den Fokussierknöpfen ②. (Fig. 45)
2. Bringen den Zoom auf maximale Vergrößerung und fokussieren ihn wieder.
3. Rückkehr zur minimalen Vergrößerung: Die Probe ist unscharf.



4. Stellen den dioptrischen Einstellring des rechten Okulars ③ so ein, dass das betrachtete Bild scharf und fokussiert ist (Fig. 46). Wiederholen den Vorgang mit dem linken Okularring.
5. Überprüfen nun den Fokus des Samples über den gesamten Zoombereich. Das System ist nun perfekt parfokal (der Fokus bleibt während des Vergrößerungswechsels erhalten).



9.5 Vergrößerung

1. Wählen Sie die gewünschte Vergrößerung mit dem Zoomschalter ② aus. (Fig. 47)
- Verwenden bei Bedarf andere Okulare und/oder eine entsprechende Zusatzlinse, um die gewünschte Vergrößerung zu erreichen.
 - **Nur Serie SZO:** Das Gehäuse des Mikroskops ist mit einer "Klickstopp"-Funktion ausgestattet, die eine präzise Vergrößerung ermöglicht (Fig. 47). Der Klickstopp kann durch Einstecken des mitgelieferten Inbusschlüssels in die Bohrung auf der rechten Seite des Mikroskops aktiviert oder deaktiviert werden.



Fig. 47

9.6 Verwendung zusätzlicher Objektive

1. Schrauben die Zusatzlinse an das Stativ des Mikroskops. (Fig. 51)
- Jedes Objektiv hat einen bestimmten Arbeitsabstand.
 - Der Hub der Fokussierhilfe kann die unterschiedlichen Arbeitsabstände der verschiedenen Zusatzlinsen nicht ausgleichen.
 - Wenn die Fokussierhilfe die Probe nicht fokussiert, muss das gesamte Gehäuse des Mikroskops angehoben oder abgesenkt werden.

Auf diese Weise wird die Gesamtvergrößerung berechnet:
Okularvergrößerung * Zoomvergrößerung * Zusätzliche Objektivvergrößerung.



Fig. 48

Serie SZX (0.67x - 4.5x / F.N. 22mm)

Okular	10x		15x		20x		25x	
Feld Nummer (mm)	22		16		12		9	
Objektiv	Totale Vergrößerung	F.O.V. (mm)	Totale Vergrößerung	F.O.V. (mm)	Totale Vergrößerung	F.O.V. (mm)	Totale Vergrößerung	F.O.V. (mm)
0.3X	2.01X-13.5X	109.45-16.30	3.02X-20.25X	79.60-11.85	4.02X-27X	59.70-8.89	5.03X-33.75X	44.78-6.67
0.5X	3.35X-22.5X	65.67-9.78	5.03X-33.75X	47.76-7.11	6.7X-45X	35.8-5.33	8.38X-56.25X	26.87-4.00
0.75X	5.03X-33.75X	43.78-6.52	7.54X-50.63X	31.84-4.74	10.05X-67.5X	23.88-3.56	12.56X-84.37X	17.91-2.67
1X	6.7X-45X	32.84-4.89	10.05X-67.5X	23.88-3.56	13.4X-90X	17.91-2.67	16.75X-112.5X	13.43-2.00
1.5X	10.05X-67.5X	21.89-3.26	15.08X-101.25X	15.92-2.37	20.1X-135X	11.94-1.78	25.13X-168.75X	8.96-1.33
2X	13.4X-90X	16.42-2.44	20.1X-135X	11.94-1.78	26.8X-180X	8.96-1.33	33.5X-225X	6.72-1.00

Serie SZX-A (0.65x - 5.5x / F.N. 23mm)

Okular	10x		15x		20x		25x	
Feld Nummer (mm)	23		16		12		9	
Objektiv	Totale Vergrößerung	F.O.V. (mm)	Totale Vergrößerung	F.O.V. (mm)	Totale Vergrößerung	F.O.V. (mm)	Totale Vergrößerung	F.O.V. (mm)
0.3X	1.95X-16.5X	117.95-13.94	2.93X-24.75X	82.05-9.70	3.9X-33X	61.54-7.27	4.88x-41.25x	46.15-5.45
0.5X	3.25X-27.5X	70.77-8.36	4.88X-41.25X	49.23-5.82	6.5X-55X	36.92-4.36	8.13x-68.75X	27.69-3.27
0.75X	4.88X-41.25X	47.18-5.58	7.31X- 61.88X	32.82-3.88	9.75X-82.5X	24.62-2.91	12.19x-103.13X	18.46-2.18
1X	6.5X-55X	35.38-4.18	9.75X-82.5X	24.62-2.91	13X-110X	18.46-2.18	16.25X-137.5X	13.85-1.64
1.5X	9.75X-82.5X	23.59-2.79	14.63X-123.75X	16.41-1.94	19.5X-165X	12.31-1.45	24.38X-206.25X	9.23-1.09
2X	13X-110X	17.69-2.09	19.5X-165X	12.31-1.45	26X-220X	9.23-1.09	32.5X-275X	6.92-0.82

Serie SZO (0.67x - 4.5x / F.N. 23mm)

Okular	10x		15x		20x		25x	
Feld Nummer (mm)	23		16		12		9	
Objektiv	Totale Vergrößerung	F.O.V. (mm)	Totale Vergrößerung	F.O.V. (mm)	Totale Vergrößerung	F.O.V. (mm)	Totale Vergrößerung	F.O.V. (mm)
0.3X	2.01X-13.5X	114.43-17.04	3.02X-20.25X	79.60-11.85	4.02X-27X	59.70 -8.89	5.03X-33.75X	44.78-6.67
0.5X	3.35X-22.5X	68.66-10.22	5.03X-33.75X	47.76-7.11	6.7X-45X	35.82-5.33	8.38X-56.25X	26.87-4.00
0.75X	5.03X-33.75X	45.77-6.81	7.54X- 50.63X	31.84-4.74	10.05X-67.5X	23.88-3.56	12.56X-84.38X	17.91-2.67
1X	6.7X-45X	34.33-5.11	10.05X-67.5X	23.88-3.56	13.4X-90X	17.91-2.67	16.75X-112.5X	13.43-2.00
1.5X	10.05X-67.5X	22.89-3.41	15.08X-101.25X	15.92-2.37	20.1X-135X	11.94-1.78	25.13X-168.75X	8.96-1.33
2X	13.4X-90X	17.16-2.56	20.1X-135X	11.94-1.78	26.8X-180X	8.96-1.33	33.5X-225X	6.72-1.00

9.7 Verwendung zusätzlicher Objektive 0.3X-0.5X

Die Zusatzlinsen 0.3X und 0.5X haben einen großen Arbeitsabstand und können daher den Gesamthub der Fokussiersäule nicht kompensieren.

Damit die zusätzlichen Linsen 0.3X und 0.5X korrekt funktionieren, gehen wie folgt vor:

1. Schrauben die Zusatzlinse wie in Abschnitt 9.6 beschrieben ein.
2. Entfernen das Mikroskopstativ aus dem Halter.
3. Montieren den Abstandshalter ① in die Kopfstütze und ziehen die Befestigungsschraube ② an. (Fig. 49)
4. Montieren das Mikroskopstativ wieder am Abstandshalter und ziehen die Befestigungsschraube ③ an. (Fig. 50)
5. Beginnen mit der normalen Arbeit.



9.8 Schwarz/weiß Platte (SZ-ST1 / 2 / 3 / 7 / 8)

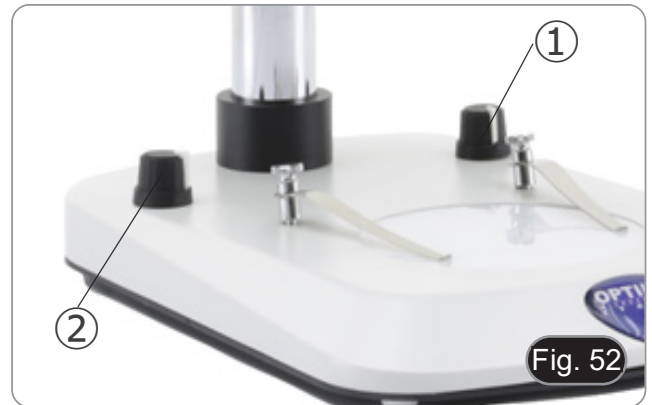
Sie können eine Schwarz/Weiß-Kontrastscheibe verwenden, um den Kontrast des Bildes beim Arbeiten im Auflicht zu erhöhen. (Fig. 51)

Wenn auf helle Proben schauen, legen die Scheibe mit dem schwarzen Teil nach oben.



9.9 Verwendung der Beleuchtung (SZ-ST2 / 3 / 7 / 8)

1. Schalten den Knopf für das Durchlicht ② ein/aus oder stellen die Intensität des LED-Lichts für das Durchlicht ein. (Fig. 52)
 2. Schalten den Knopf für das Auflicht ① ein/aus oder stellen die Intensität des LED-Lichts für das Auflicht ein.
- Beide Beleuchtungen können gleichzeitig verwendet werden.



Nur für SZ-ST7 / SZ-ST8:

- Kippen und positionieren die selbsttragenden Arme der Basis ③, um die Probe optimal auszuleuchten. (Fig. 53)
- Die Arme können einzeln in die gewünschte Position gebracht werden.



9.10 Verwendung der Beleuchtung (SZ-OBL)

1. Schalten den Knopf für das Durchlicht ① ein/aus oder stellen die Intensität des LED-Lichts für das Durchlicht ein. (Fig. 54)
 2. Drehen den Spiegeldrehknopf ②, um den Spiegel zu kippen, bis die gewünschte schräge Beleuchtung erreicht ist.
- Der Spiegel hat eine glatte Oberfläche und eine gerändelte Oberfläche. Die beiden Oberflächen ermöglichen eine optimale Beobachtung durch einen angemessenen Kontrast in Abhängigkeit von der zu beobachtenden Probe.



9.11 Verwendung von Augenschirmen (SZO-B / T)

• Zur Verwendung mit einer Brille

Falten die Gummi-Augenschilde mit beiden Händen. Gefaltete Augenschirme vermeiden das Verkratzen der Gläser einer Brille. (Fig. 55)



- **Verwendung ohne Brille**

Augenschirme anheben und am Mikroskop beobachten, um die Augen auf die Schirme zu richten, wobei Fremdlicht vermieden wird, das die Beobachtung stört. (Fig. 56)



9.12 Verwendung von Kragarmstützen

9.12.1 SZ-STL1

Bewegen den horizontalen Arm

1. Lösen die Knöpfe auf der rechten Seite des horizontalen Arms ①. (Fig. 57)



2. Der Arm kann je nach Bedarf verlängert oder verkürzt werden. (Fig. 58)



Ändern des Winkels des Kopfes

1. Lösen die Knöpfe ① und drehen den Kopf in den gewünschten Winkel (rechts oder links), dann ziehen die Befestigungsschraube an. (Fig. 59)



Drehen den horizontalen Arm

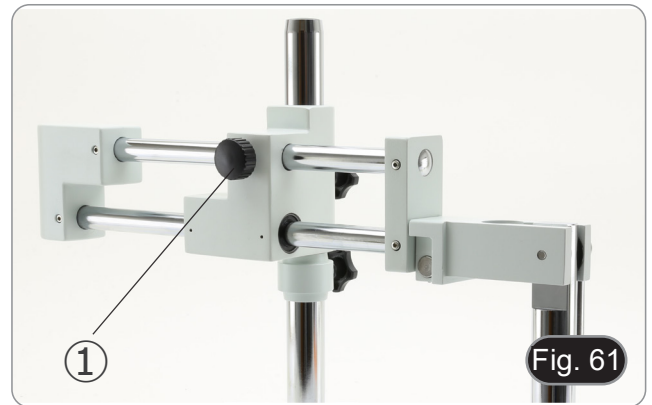
1. Lösen die Befestigungsschraube des Horizontalarms ② und drehen den Arm, dann ziehen die Befestigungsschraube an. (Fig. 60)
- **HINWEIS:** Wenn das Mikroskop um 180° von der Basis aus drehen, kann das gesamte System umkippen.



9.12.2 SZ-STL2

Bewegen den horizontalen Arm

1. Lösen den Knopf auf der linken Seite des horizontalen Arms ①. (Fig. 61)



2. Der Arm kann je nach Bedarf verlängert oder verkürzt werden. (Fig. 62)



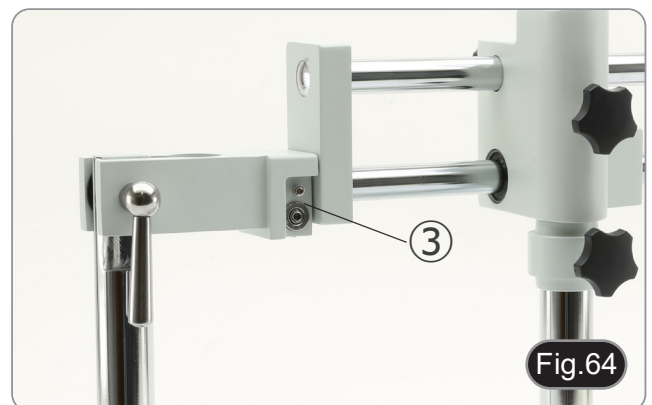
Neigen die Kopfstütze

1. Lösen den Knopf ② (Fig. 63) auf der rechten Seite des Ständers. Der vertikale Kipparm kann bewegt werden. Sobald der gewünschte Winkel erreicht ist, ziehen den Knopf an.



Ändern des Winkels des Kopfes

1. Lösen die Befestigungsschraube ③ und drehen den Kopf in den gewünschten Winkel (rechts oder links), dann ziehen die Befestigungsschraube an. (Fig. 64-65)





Drehen den horizontalen Arm

1. Lösen die Befestigungsschraube des Horizontalarms ④ und drehen den Arm, dann ziehen die Befestigungsschraube an. (Fig. 66)
- **HINWEIS:** Wenn das Mikroskop um 180° von der Basis aus drehen, kann das gesamte System umkippen.



9.12.3 SZ-STL3X

Bewegen den horizontalen Arm

1. Lösen die Knöpfe auf der rechten Seite des horizontalen Arms ①. (Fig. 67)



2. Der Arm kann je nach Bedarf verlängert oder verkürzt werden. (Fig. 68)



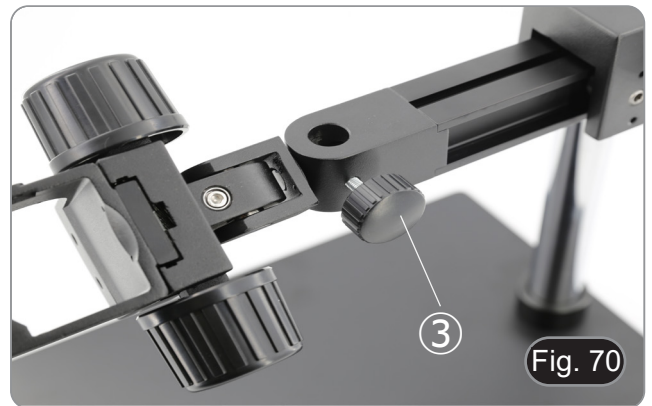
Neigen die Kopfstütze

1. Lösen die Inbusschraube ② (Fig. 69) am oberen Teil der Kopfstütze.
2. Der schwarze Teil kann verschoben werden. Sobald der gewünschte Winkel erreicht ist, ziehen die Schraube wieder an.



Ändern des Winkels des Kopfes

1. Entriegeln den Fixierknopf ③ und drehen den Kopf in den gewünschten Drehwinkel (links oder rechts), dann ziehen den Knopf wieder an. (Fig. 70-71)



Drehen den horizontalen Arm

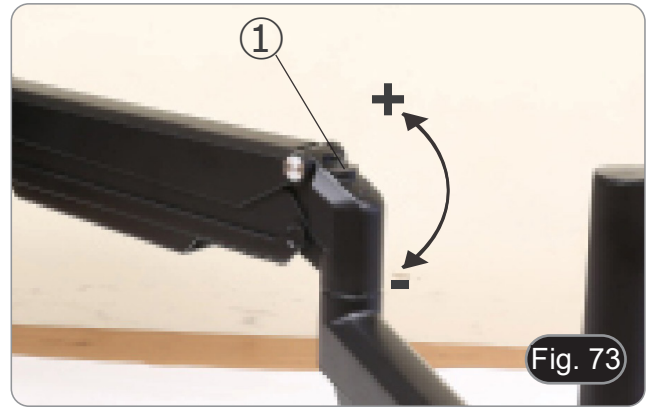
1. Lösen den Befestigungsknopf des Horizontalarms ④ und drehen den Arm, dann ziehen den Knopf wieder fest. (Fig. 72)
- **HINWEIS:** Wenn das Mikroskop um 180° von der Basis aus drehen, kann das gesamte System umkippen.



9.12.4 SZ-STL5 / SZ-STL5A6 / SZ-STL5LED

Einstellen der Spannung des Horizontalarms

- Wenn der Horizontalarm dazu neigt, von selbst zu sinken, muss die Spannung möglicherweise an das Gesamtgewicht des Systems angepasst werden.
1. Ziehen Sie mit dem 6-mm-Inbusschlüssel (P) die Schraube ① an, um den Widerstand der Horizontalarmhalterung zu erhöhen. (Fig. 73)
- Eine Drehung gegen den Uhrzeigersinn erhöht die Spannung, eine Drehung im Uhrzeigersinn verringert sie.



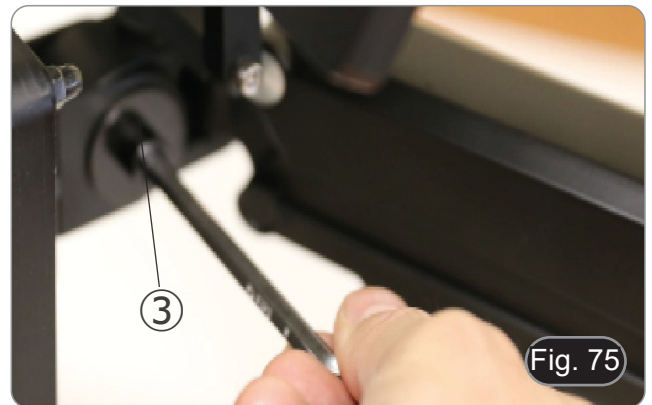
Schwenken des Kopfes

- Der Kopf kann horizontal gedreht werden.
1. Lösen Sie mit dem 6-mm-Inbusschlüssel (P) die Schraube ②, drehen Sie die Kamera in die gewünschte Position und ziehen Sie die Schraube wieder fest. (Fig. 74)



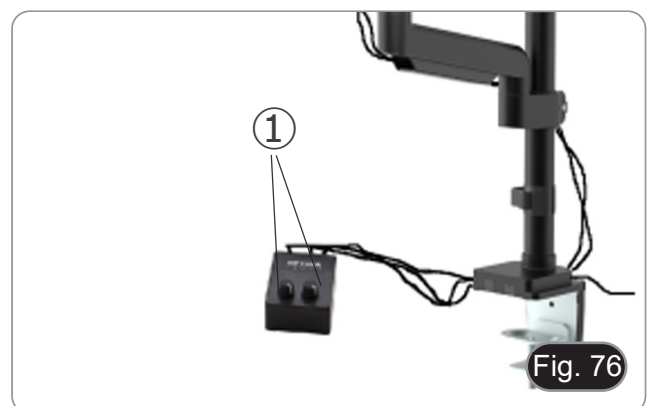
Neigen des Kopfes

1. Lösen Sie die Schraube ③ mit dem 6-mm-Inbusschlüssel (P), neigen Sie den Kopf in die gewünschte Position und ziehen Sie die Schraube fest. (Fig. 75)



Einstellen der Lichtintensität

Drehen die Einstellknöpfe für die Lichtintensität ① zum Ein-/Aus-schalten und zum Erhöhen/Verringern der Lichtintensität jedes einzelnen LED-Arms. (Fig. 76)



10. Mikrofotografie

10.1 Verwendung von C-Mount Kameras

1. Lösen die Sicherungsschraube ① am Binokulartubus und entfernen die Staubkappe ②. (Fig. 77)



2. Schrauben den Adapterschritt "C" ③ an die Kamera ④ und montieren die runde Halterung der Stufe C in die leere Bohrung des Binokulartubus (Fig. 78), dann ziehen die Klemmschraube ① an.



10.2 Verwendung von Spiegelreflexkameras

1. Setzen den Reflexadapter ① in den Mikroskopanschluss-Schlauch ②.
 2. A Schrauben den "T2"-Ring ③ (nicht mitgeliefert) an den Reflexadapter.
 3. Verbinden die Spiegelreflexkamera ④ mit dem gerade montierten Ring "T2". (Fig. 79)
 4. Montieren das Ende des Verbindungsrohres ② in die leere Bohrung des Fernglasrohres und ziehen die Klemmschraube an. (Fig. 77)
- Der Ring "T2" wird nicht mit dem Mikroskop geliefert, sondern ist im Handel erhältlich.
 - Um dunkle Präparate zu fotografieren, verdunkeln Okulare und Sucher mit einem dunklen Tuch, um das Streulicht zu begrenzen.
 - Um die Vergrößerung der Kamera zu berechnen: $\text{Objektiv} * \text{Vergrößerungskamera} * \text{Vergrößerungskamera} * \text{Vergrößerungslinse}$.
 - **Wenn eine Spiegelreflexkamera verwenden, kann die Bewegung des Spiegels die Maschine in Schwingungen versetzen.**
 - **Es wird empfohlen, den Spiegel anzuheben, lange Belichtungszeiten zu verwenden und einen flexiblen Auslöser zu verwenden.**



11. Wartung

Arbeitsumfeld

Es wird empfohlen, das Mikroskop an einem sauberen, trockenen und stoßsicheren Ort zu verwenden, bei einer Temperatur zwischen 0° und 40° und einer Feuchtigkeit nicht über 85% (ohne Kondensation). Wenn nötig wird die Verwendung eines Luftentfeuchters empfohlen.

Vor und nach dem Gebrauch des Mikroskops



- Das Mikroskop muss immer vertikal stehen.
- Achten darauf, die optischen Komponenten (z.B. Objektive, Okulare) nicht zu beschädigen oder diese nicht fallen lassen.
- Behandeln das Mikroskop mit Vorsicht und gebrauchen nicht zu viel Kraft.
- Führen selber keinerlei Reparatur durch..
- Nach dem Gebrauch schalten das Licht aus, decken das Mikroskop mit der mitgelieferten Staubschutzhaube und bewahren es an einem sauberen, trockenen Ort auf.

Elektrische Sicherheitsmaßnahmen



- Bevor das Netzkabel anstecken, vergewissern sich, dass die Spannung für das Mikroskop geeignet ist, und dass der Beleuchtungsschalter sich in position OFF befindet.
- Beachten alle Sicherheitsvorschriften des Arbeitsplatzes, an dem mit dem Mikroskop arbeiten.

Optikreinigung

- Wenn die optischen Komponenten reinigen müssen, verwenden zuerst Druckluft.
- Falls nötig reinigen die optischen Komponenten mit einem weichen Tuch.
- Als letzte Option befeuchten einen Tuch mit einer Mischung 3:7 von Ethanol und Ether.
- **Beachten, dass Ethanol und Ether sehr entzündliche Flüssigkeiten sind. Sie müssen bei einer Wärmequelle, bei Funken oder bei elektrische Geräte nicht verwendet werden. Verwenden diese Chemikalien in einer gut belüfteten Raum.**
- Scheuern keine Oberfläche der optischen Komponenten mit den Händen, da Fingerabdrücke die Optik beschädigen können.
- Montieren die Objektive und Okulare nicht ab, um sie zu reinigen.

Am Besten verwenden Sie das OPTIKA Reinigungs kit (siehe Katalog)

Falls das Mikroskop aus Wartungszwecken an Optika zurückgeschickt werden muss, verwenden Sie bitte immer die Originalverpackung.

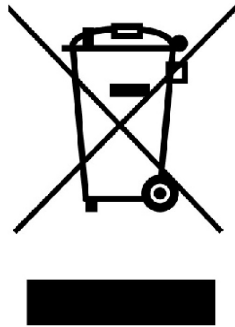
12. Probleme und Lösungen

Lesen die Informationen in der folgenden Tabelle, um Probleme bei der Bedienung zu beheben.

PROBLEM	URSACHE	LÖSUNG
I. Optisches System:		
Die Beleuchtung ist eingeschaltet, aber das Sichtfeld ist dunkel	Stromversorgungsstecker sind nicht gut angeschlossen	Verbinden Sie sie
	Die Helligkeit ist zu gering	Stellen Sie es auf ein geeignetes Niveau ein
Die Kanten des Sichtfeldes sind vignettiert oder die Helligkeit ist asymmetrisch	Aufflichtbeleuchtung ist nicht richtig ausgerichtet	Ändern des Winkels des einfallenden Scheinwerfers
Im Sichtfeld sind Schmutz und Staub zu sehen	Schmutz und Staub auf der Probe	Reinigen Sie die Probe
	Schmutz und Staub auf dem Okular	Okular reinigen
Die Bildqualität ist schlecht: <ul style="list-style-type: none"> Das Bild ist nicht scharf Der Kontrast ist nicht hoch Die Details sind nicht scharf Reflexionen im Bild 	Die Linsen (Kondensator, Linsen, Okulare und Schieber) sind verschmutzt	Die Linsen (Kondensator, Objektive, Okulare und Schieber) sind verschmutzt
Eine Seite des Bildes ist nicht scharf abgebildet	Die Probe ist nicht in der richtigen Position (z.B. geneigt)	Legen Sie die Probe horizontal auf die Oberfläche
II. Mechanischer System:		
Der makrometrische Knopf ist schwer zu drehen	Einstellring zu fest spannen	Lösen Sie den Einstellring für die Spannung
Die Fokussierung ist instabil	Einstellring zu locker gespannt	Ziehen Sie den Einstellring für die Spannung an
III. Elektrischer System:		
Die LED leuchtet nicht	Das Gerät wird nicht mit Strom versorgt	Überprüfen Sie den Anschluss des Netzkabels
Die Helligkeit ist unzureichend	Die Helligkeit wird niedrig eingestellt	Einstellen der Helligkeit
Licht blinkt	Das Netzkabel ist nicht gut angeschlossen	Überprüfen Sie die Kabelverbindung
IV. Beobachtungstubus:		
Das Sichtfeld ist für jedes Auge unterschiedlich	Der Augenabstand ist nicht korrekt	Einstellen des Augenabstandes
	Die Dioptrienkorrektur ist nicht richtig	Einstellen der Dioptrienkorrektur
	Die Sehtchnik ist nicht korrekt, und der Bediener belastet sein Augenlicht	Wenn Sie sich die Probe ansehen, konzentrieren Sie Ihren Blick nicht auf einen einzelnen Punkt, sondern betrachten Sie das gesamte verfügbare Sichtfeld. Schauen Sie regelmäßig weg und schauen Sie auf einen entfernten Punkt, dann gehen Sie zurück zur Analyse der Probe
V. Mikrofotografie und Videoerfassung:		
Der Rand des Bildes ist nicht scharf abgebildet	Bis zu einem gewissen Grad ist dies in der Natur der achromatischen Objektive begründet	Um das Problem zu minimieren, stellen Sie die Blende auf die beste Position ein
Lichtpunkte erscheinen auf dem Bild	Diffuses Licht tritt durch die Okulare oder den Sucher der Kamera in das Mikroskop ein	Okulare und Sucher mit einem dunklen Tuch abdecken

Wiederverwertung

Gemäß dem Artikel 13 vom Dekret Nr. 151 vom 25.07.2005 "Umsetzung der Richtlinien 2002/95/EG, 2002/96/EG und 2003/108/EG in Bezug auf die Verwendung gefährlicher Stoffe in elektrischen und elektronischen Geräten sowie die Abfallentsorgung".



Das Symbol vom Müllcontainer erscheint auf dem Gerät oder der Verpackung und weist darauf hin, dass das Produkt Ende des Lebens separat von anderen Abfällen entsorgt werden muss. Die getrennte Sammlung von Geräten, die am Ende Ihrer Lebensdauer sind, wird vom Hersteller organisiert. Der Benutzer, der dieses Gerät entsorgen möchte, muss dann Kontakt mit dem Hersteller aufnehmen und der Vorgehensweise folgen, die zur separaten Entsorgung eingeführt worden ist. Die korrekte Sammlung von Geräten um die nachfolgende Behandlung, Entsorgung und umweltfreundliche Wiederverwendung zu ermöglichen ist ein Beitrag um negative Auswirkungen auf der Umwelt und der Gesundheit zu vermeiden und die Wiederverwendung der GerätKomponenten zu begünstigen. Die illegale Entsorgung des Produkts vom Benutzer wird gemäß den geltenden Bestimmungen bestraft.

OPTIKA® S.r.l.

Via Rigla, 30 - 24010 Ponteranica (BG) - ITALY Tel.: +39 035.571.392
info@optikamicroscopes.com - www.optikamicroscopes.com

OPTIKA® Spain

spain@optikamicroscopes.com

OPTIKA® USA

usa@optikamicroscopes.com

OPTIKA® China

china@optikamicroscopes.com

OPTIKA® India

india@optikamicroscopes.com

OPTIKA® Central America

america@optikamicroscopes.com

Série SZ

MANUAL DE INSTRUÇÕES

Modelo	
SZ-A1	SZ-A6
SZX-B	SZX-T
SZX-BA	SZX-TA
SZO-B	SZO-T
SZ-ST1	SZ-ST2
SZ-ST3	SZ-ST7
SZ-ST8	SZ-OBL
ST-150	ST-152
SZ-STL1	SZ-STL2
SZ-STL3X	SZ-STL5
SZ-STL5A6	SZ-STL5LED

Ver. 2.6 2026



Tabela de Conteúdos

1.	Advertência	254
2.	Informações sobre a segurança	254
3.	Conteúdo da embalagem	255
3.1	SZX-B / SZX-T / SZX-BA / SZX-TA	255
3.2	SZO-B / SZO-T	256
3.3	SZ-A1	256
3.4	SZ-A6	257
3.5	ST-150	257
3.6	ST-152	258
3.7	SZ-ST1	258
3.8	SZ-ST2 / SZ-ST3	259
3.9	SZ-ST7 / SZ-ST8	259
3.10	SZ-OBL	260
3.11	SZ-STL1	260
3.12	SZ-STL2	261
3.13	SZ-STL3X	261
3.14	SZ-STL5 / SZ-STL5A6	262
3.15	SZ-STL5LED	263
4.	Desembalando	264
5.	Uso previsto	264
6.	Simbolos	264
7.	Descrição do instrumento	265
7.1	Diagrama de Sistema	265
7.2	SZX-B / SZX-T / SZX-BA / SZX-TA	266
7.3	SZO-B / SZO-T	266
7.4	SZ-A1	267
7.5	SZ-A6	267
7.6	ST-150	268
7.7	ST-152	268
7.8	SZ-ST1	269
7.9	SZ-ST2 / SZ-ST3	269
7.10	SZ-ST7 / SZ-ST8	270
7.11	SZ-OBL	270
7.12	SZ-STL1	271
7.13	SZ-STL2	271
7.14	SZ-STL3X	272
7.15	SZ-STL5 / SZ-STL5A6	272
7.16	SZ-STL5LED	273
8.	Montagem	274
8.1	SZ-A1 / SZ-A6	274
8.2	SZ-ST1 / ST-150	274
8.3	ST-152	274
8.4	SZ-ST2 / SZ-ST3	274
8.5	SZ-ST7 / SZ-ST8 / SZ-OBL	275
8.6	SZ-STL1	275
8.7	SZ-STL2	278
8.8	SZ-STL3X	280
8.9	SZ-STL5 / SZ-STL5A6 / SZ-STL5LED	282
8.9.1	Fixação de mesa com grampo	282
8.9.2	Fixação de mesa com furo passante	283
8.10	Instalar a cabeça (todos os modelos)	284
8.11	Instalar as oculares (todos os modelos)	284
8.12	Instalar a saída de foto (SZX-T / TA)	284
9.	Uso do microscópio	285
9.1	Ajuste da distância interpupilar	285
9.2	Focalização	285
9.3	Ajuste da tensão de focagem	285
9.3.1	SZ-A1	285
9.3.2	SZ-A6	285
9.4	Compensação dióptrica	286
9.5	Ampliação	287
9.6	Uso de lentes adicionais	287

9.7	Uso de lentes adicionais 0.3X-0.5X	288
9.8	Disco preto/branco (SZ-ST1 / 2 / 3 / 7 / 8)	288
9.9	Uso de iluminação (SZ-ST2 / 3 / 7 / 8)	289
9.10	Uso de iluminação (SZ-OBL)	289
9.11	Uso de ilhós de borracha (SZO-B / T)	289
9.12	Uso de bases em balanço	291
9.12.1	SZ-STL1	291
9.12.2	SZ-STL2	292
9.12.3	SZ-STL3X	293
9.12.4	SZ-STL5 / SZ-STL5A6 / SZ-STL5LED	295
10.	Microfotografia	296
10.1	Uso de câmaras de paso “C”	296
10.2	Uso de câmaras Reflex	296
11.	Manutenção	297
12.	Resolução de problemas	298
	Eliminação	299

1. Advertência

Este microscópio é um instrumento científico de alta precisão, projectado para durar um longo tempo com manutenção mínima; a sua realização respeita os melhores padrões ópticos e mecânicos, para que possa ser utilizado diariamente. Recordamos que este manual contém informações importantes para a segurança e a manutenção do instrumento, portanto deve ser colocado à disposição daqueles que o irão utilizar. O fabricante exime-se de qualquer responsabilidade em caso de Uso do instrumento não indicada neste manual.

2. Informações sobre a segurança



Para evitar choques eléctricos

Antes de ligar o cabo de alimentação com a tomada eléctrica, certificar-se de que a tensão da rede local coincida com a tensão do instrumento e que o interruptor da iluminação esteja na posição "OFF".

Os utilizadores deverão seguir todas as normas de segurança locais. O instrumento tem certificação CE. Em todo o caso, os utilizadores são os únicos responsáveis pela Uso segura do instrumento. Para a Uso com segurança do instrumento, é importante respeitar as seguintes instruções e ler completamente o manual.

3. Conteúdo da embalagem

3.1 SZX-B / SZX-T / SZX-BA / SZX-TA



① Corpo do microscópio

• SZX-B/BA Binocular / SZX-T/TA Trinocular

② Oculares

③ Chave Allen (apenas para SZX-T/TA)

④ Tampa do pó

⑤ Anel de saída foto (apenas para SZX-T/TA)

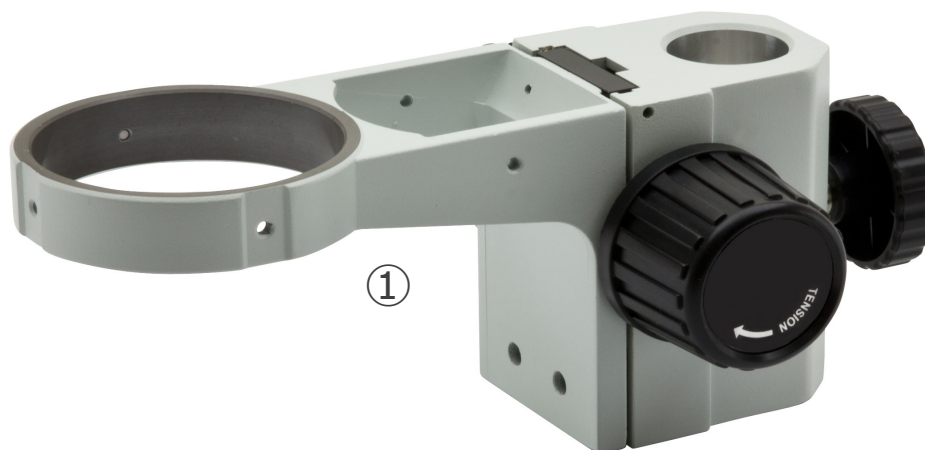
3.2 SZO-B / SZO-T



- ① Corpo do microscópio
• (SZO-B Binocular) / SZO-T Trinocular)
- ② Oculares

- ③ Chave Allen (apenas para SZO-T)
- ④ Tampa do pé
- ⑤ Anel de saída foto (apenas para SZO-T)

3.3 SZ-A1



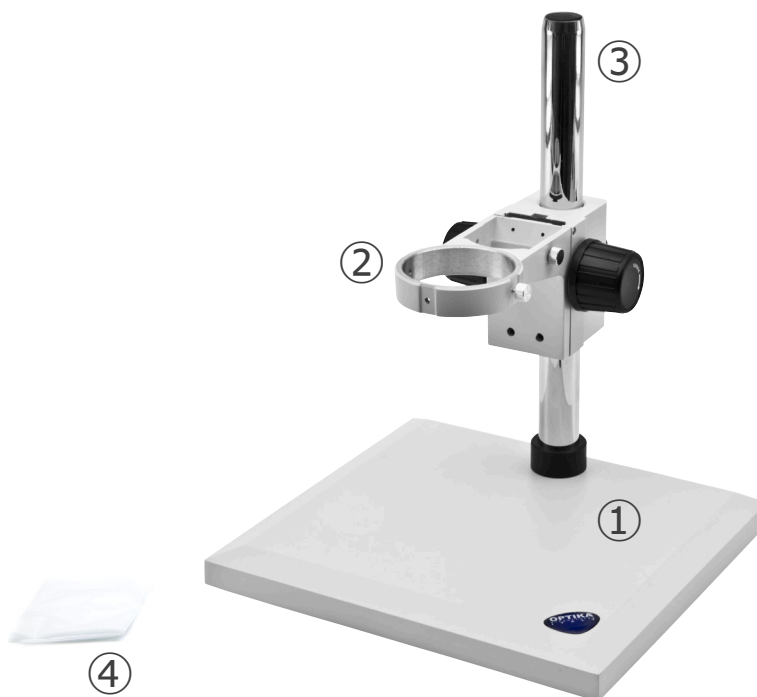
- ① Foco Macro

3.4 SZ-A6



① Foco Macro/Micro

3.5 ST-150



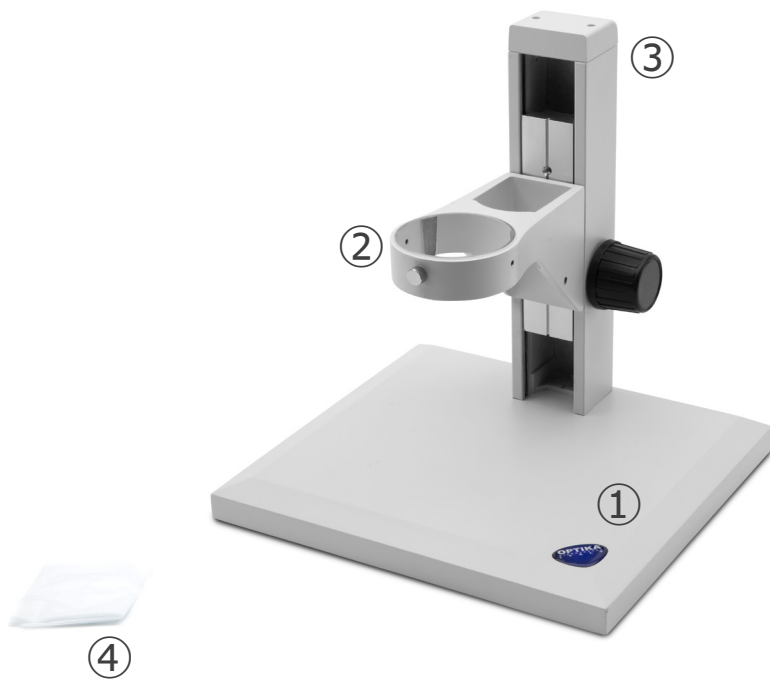
① Base

② Suporte de cabeça / sistema de focagem

③ Pilar

④ Tampa do pé

3.6 ST-152



① Base

② Suporte de cabeça / sistema de focagem

③ Pilar

④ Tampa do pó

3.7 SZ-ST1



① Base

② Clipes de amostra (um par)

③ Disco branco / preto

3.8 SZ-ST2 / SZ-ST3



- ① Base
- ② Disco opal
- ③ Clipes de amostra (um par)
- ④ Iluminador de luz incidente
- ⑤ Disco branco / preto
- ⑥ Fonte de alimentação

3.9 SZ-ST7 / SZ-ST8



- ① Base
- ② Disco opal
- ③ Clipes de amostra (um par)
- ④ Disco branco / preto
- ⑤ Fonte de alimentação

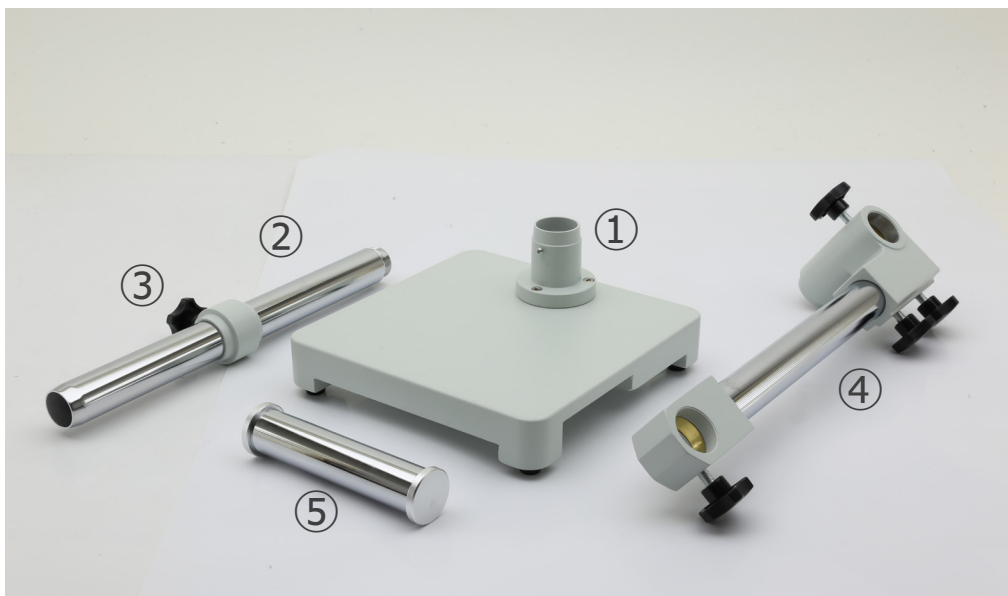
3.10 SZ-OBL



- ① Base
- ② Pilar
- ③ Placa de vidro

- ④ Fonte de alimentação
- ⑤ Capa de pó

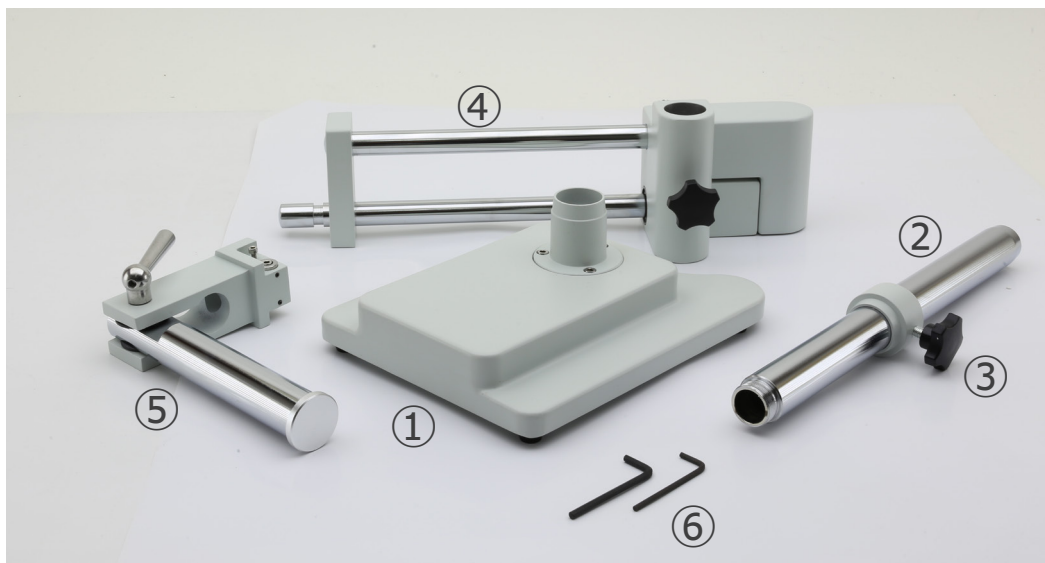
3.11 SZ-STL1



- ① Base
- ② Braço vertical
- ③ Anel de prevenção de descenso

- ④ Braço horizontal
- ⑤ Soporte do braço de focalização

3.12 SZ-STL2



- ① Base
- ② Braço vertical
- ③ Anel de prevenção de descenso

- ④ Braço horizontal
- ⑤ Soporte do braço de focalização
- ⑥ Chave Allen

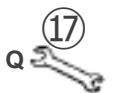
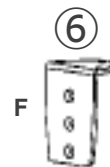
3.13 SZ-STL3X



- ① Base
- ② Braço vertical
- ③ Braço horizontal

- ④ Anel de prevenção de descenso
- ⑤ Foco macro
- ⑥ Chave Allen

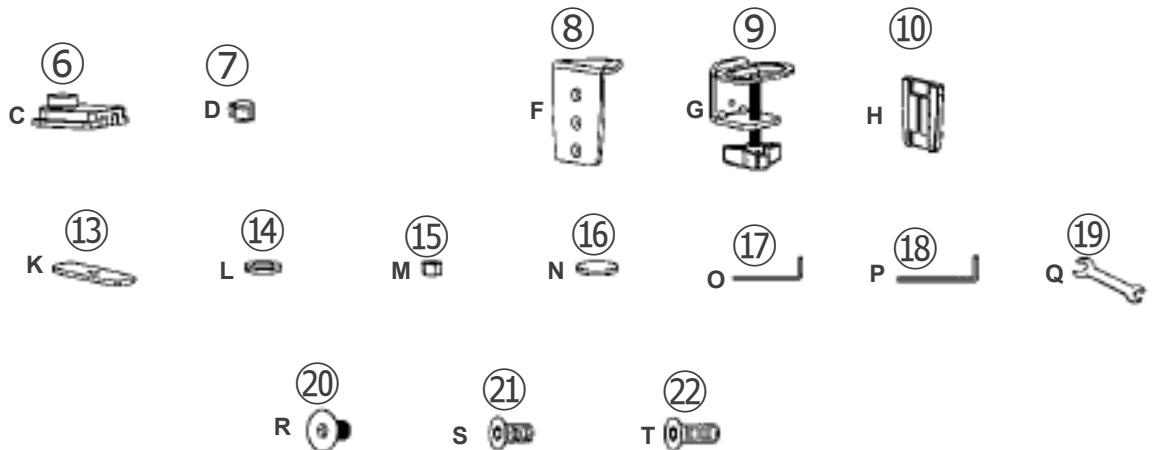
3.14 SZ-STL5 / SZ-STL5A6



- ① Pilar
- ② Braço horizontal
- ③ Suporte de cabeça / sistema de focagem
 - SZ-STL5: macro
 - SZ-STL5A6: macro/micro
- ④ Grampo de mesa (C)
- ⑤ Anel de prevenção de descenso / porta cabos (D)
- ⑥ Suporte de grampo (F)
- ⑦ Grampo (G)
- ⑧ Capa plástica (H)
- ⑨ Parafuso para montagem através de orifício (I)

- ⑩ Placa de fixação (J)
- ⑪ Placa de fixação (K)
- ⑫ Anilha (L)
- ⑬ Porca (M)
- ⑭ Represas de borracha (4pcs) (N)
- ⑮ Chave Allen 4mm (O)
- ⑯ Chave Allen 6mm (P)
- ⑰ Chave inglesa (Q)
- ⑱ Parafusos M6x10 (2pcs) (R)
- ⑲ Parafusos M6x12 (3pcs) (S)
- ⑳ Parafusos M6x16 (3pcs) (T)

3.15 SZ-STL5LED



- | | |
|---|-----------------------------------|
| ① Pilar | ⑫ Placa de fixação (J) |
| ② Braço horizontal | ⑬ Placa de fixação (K) |
| ③ Suporte de cabeça / sistema de focagem | ⑭ Anilha (L) |
| ④ Braços autoportantes de LED | ⑮ Porca (M) |
| ⑤ Controlo de iluminação com fonte de alimentação | ⑯ Represas de borracha (4pcs) (N) |
| ⑥ Grampo de mesa (C) | ⑰ Chave Allen 4mm (O) |
| ⑦ Anel de prevenção de descenso / porta cabos (D) | ⑱ Chave Allen 6mm (P) |
| ⑧ Suporte de grampo (F) | ⑲ Chave inglesa (Q) |
| ⑨ Grampo (G) | ⑳ Parafusos M6x10 (2pcs) (R) |
| ⑩ Capa plástica (H) | ㉑ Parafusos M6x12 (3pcs) (S) |
| ⑪ Parafuso para montagem através de orifício (I) | ㉒ Parafusos M6x16 (3pcs) (T) |

4. Desembalando

O microscópio é alojado em um recipiente de isopor moldado. Remova a fita da borda do recipiente e levante a metade superior do recipiente. Tome algum cuidado para evitar que os itens ópticos (objetivas e oculares) cair e ficar danificado. Usando ambas as mãos (uma ao redor do braço e outra ao redor da base), levante o microscópio do recipiente e coloque-o em uma mesa estável.



Não toque com as mãos nuas superfícies ópticas como lentes, filtros ou óculos. Vestígios de graxa ou outros resíduos podem deteriorar a qualidade final da imagem e corroer a superfície óptica em pouco tempo.

5. Uso previsto

Modelos padrão

Apenas para uso em pesquisa e ensino. Não se destina a qualquer uso terapêutico ou diagnóstico animal ou humano.

Modelos IVD

Também para uso diagnóstico, visando a obtenção de informações sobre a situação fisiológica ou patológica do indivíduo.

6. Símbolos

A tabela seguinte apresenta os símbolos utilizados neste manual.



PERIGO

Este símbolo indica um risco potencial e adverte que é preciso proceder com cuidado.



CHOQUE ELÉCTRICO

Este símbolo indica um risco de choque eléctrico.

7. Descrição do instrumento

7.1 Diagrama de Sistema



7.2 SZX-B / SZX-T / SZX-BA / SZX-TA



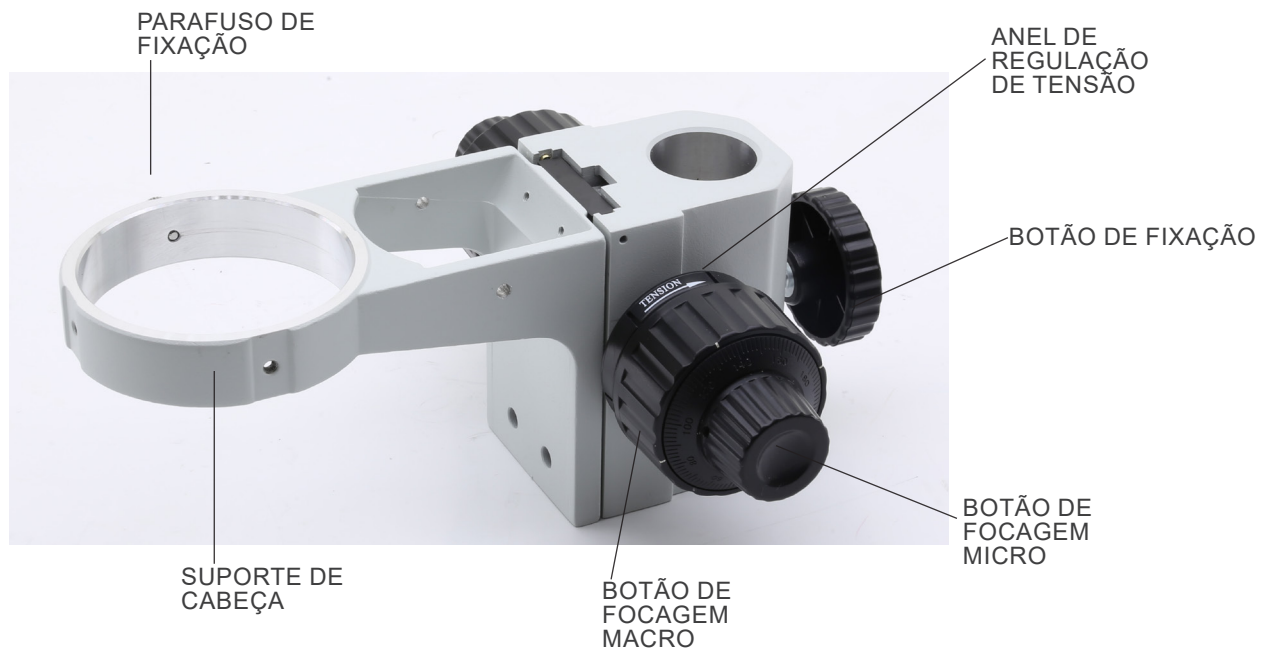
7.3 SZO-B / SZO-T



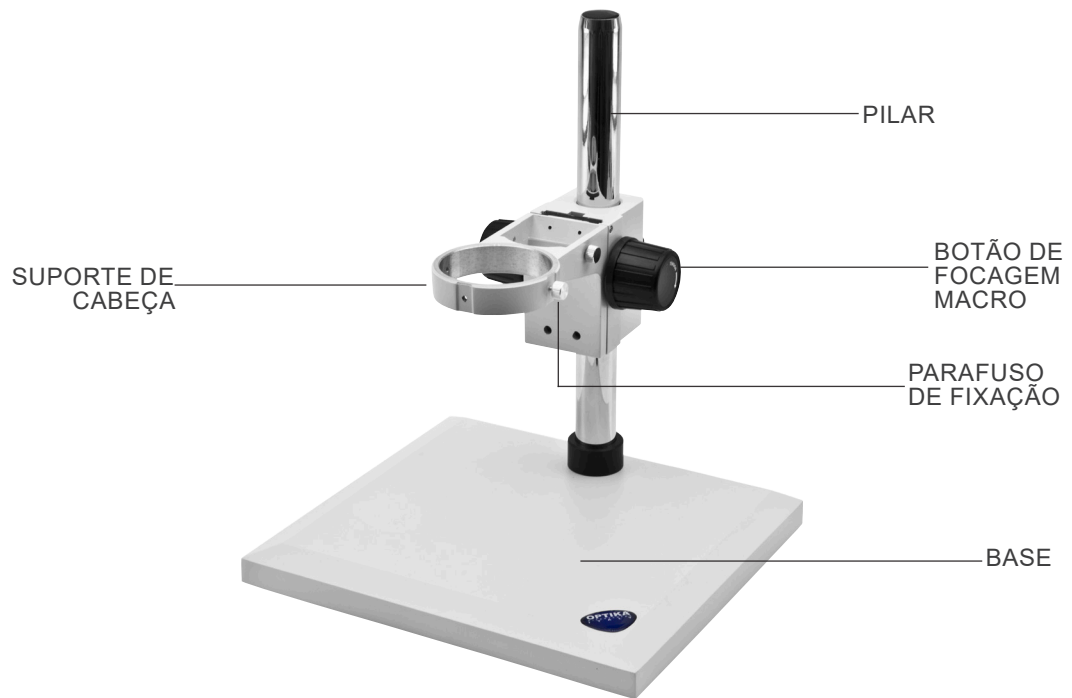
7.4 SZ-A1



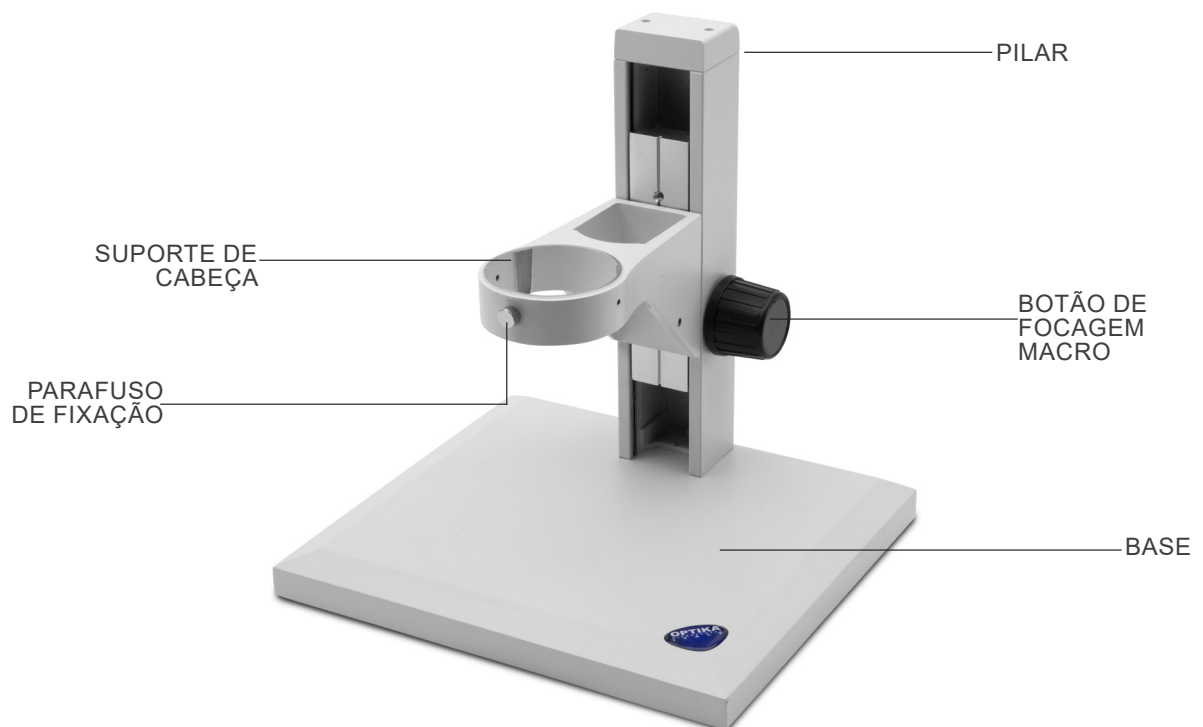
7.5 SZ-A6



7.6 ST-150



7.7 ST-152



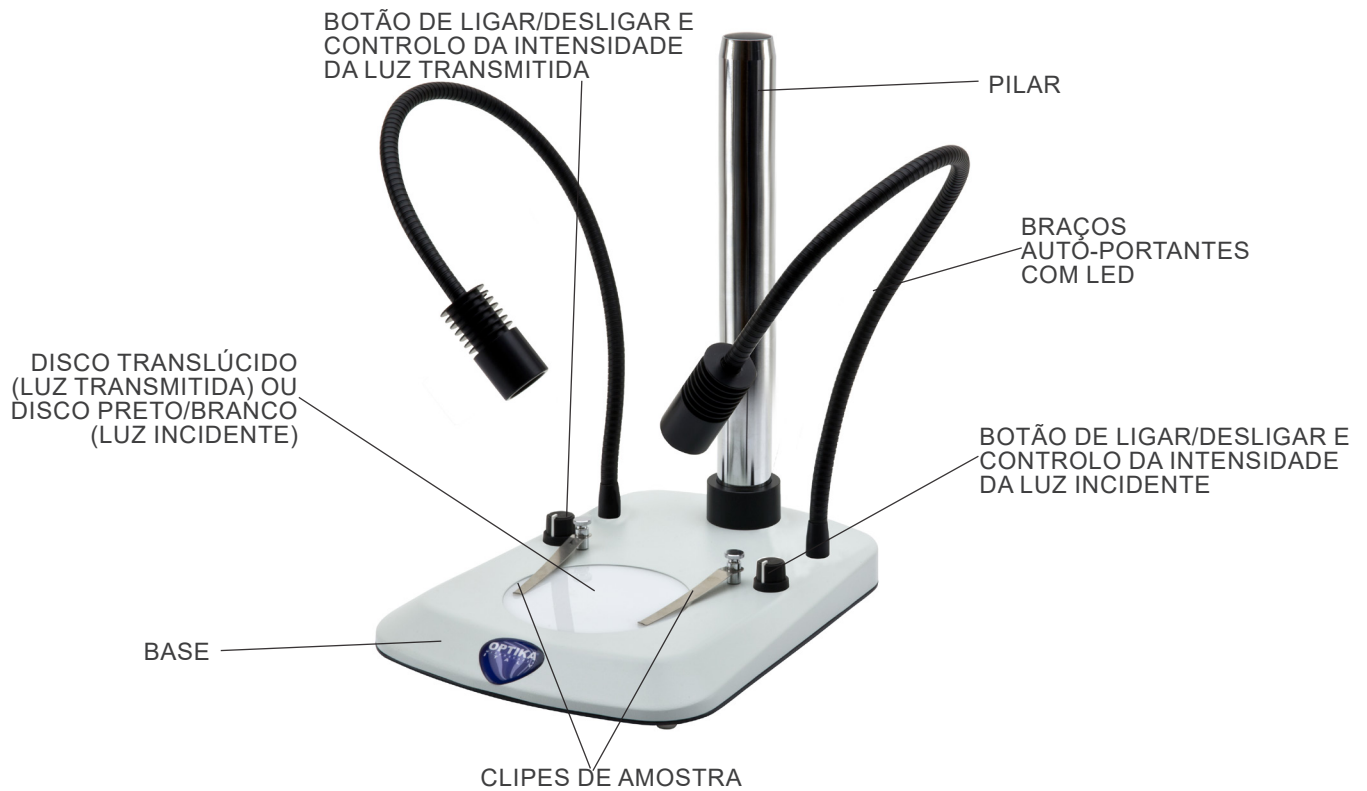
7.8 SZ-ST1



7.9 SZ-ST2 / SZ-ST3



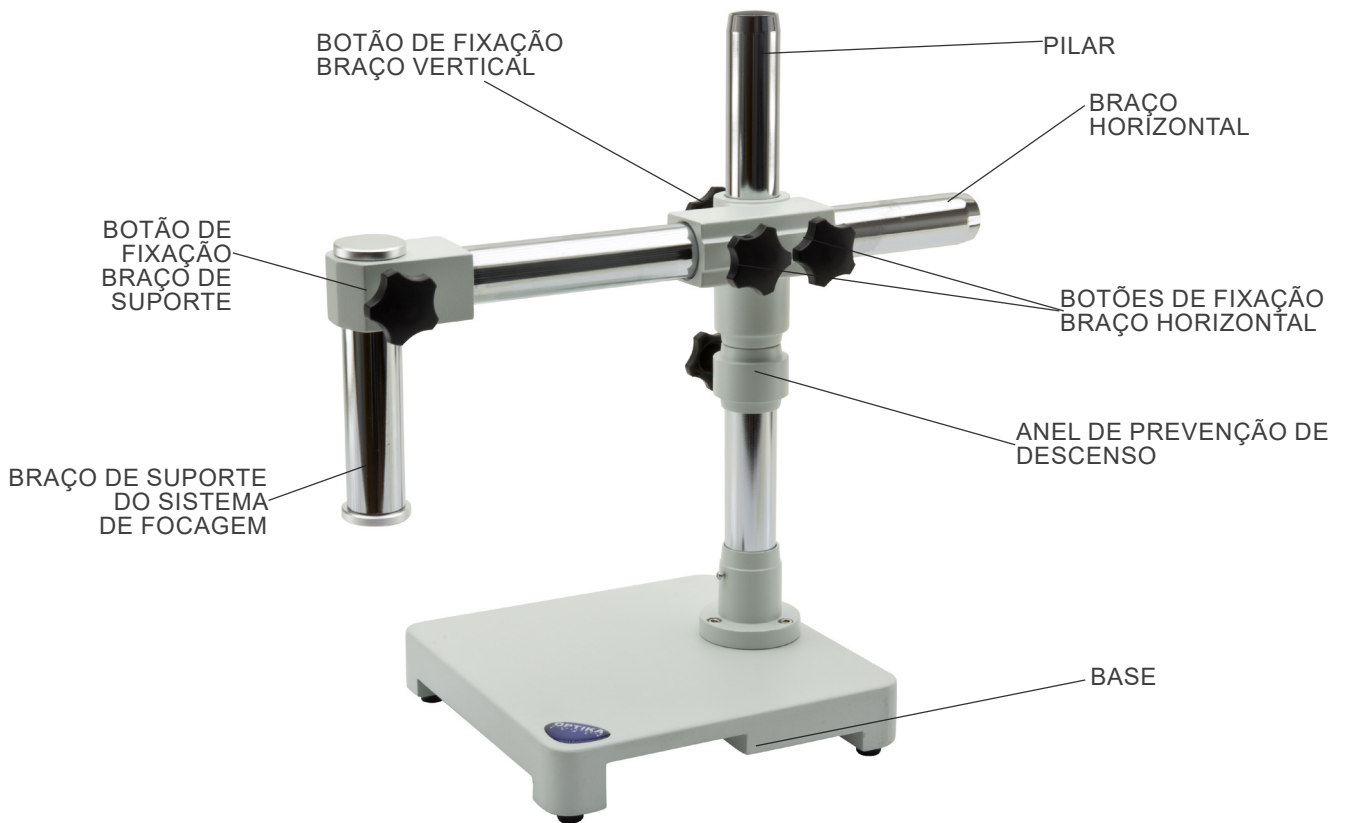
7.10 SZ-ST7 / SZ-ST8



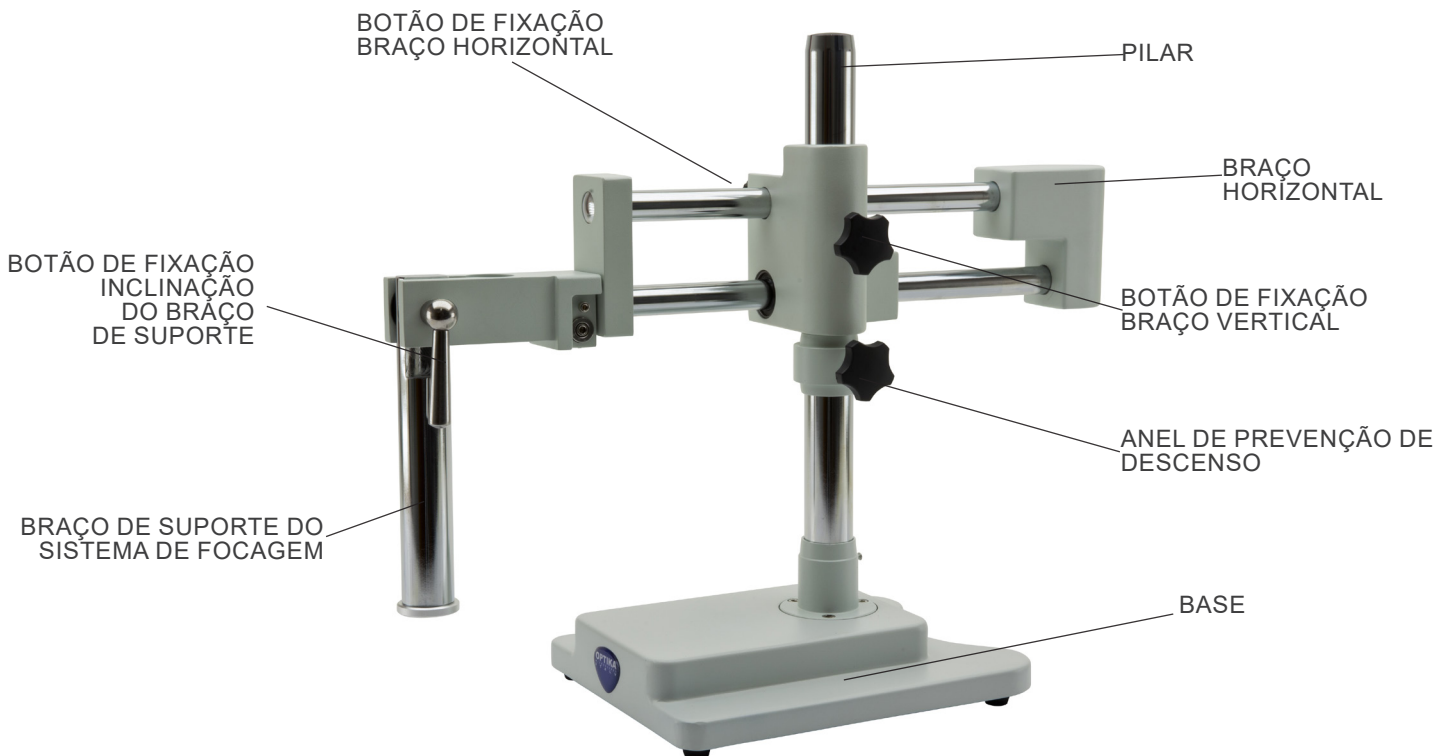
7.11 SZ-OBL



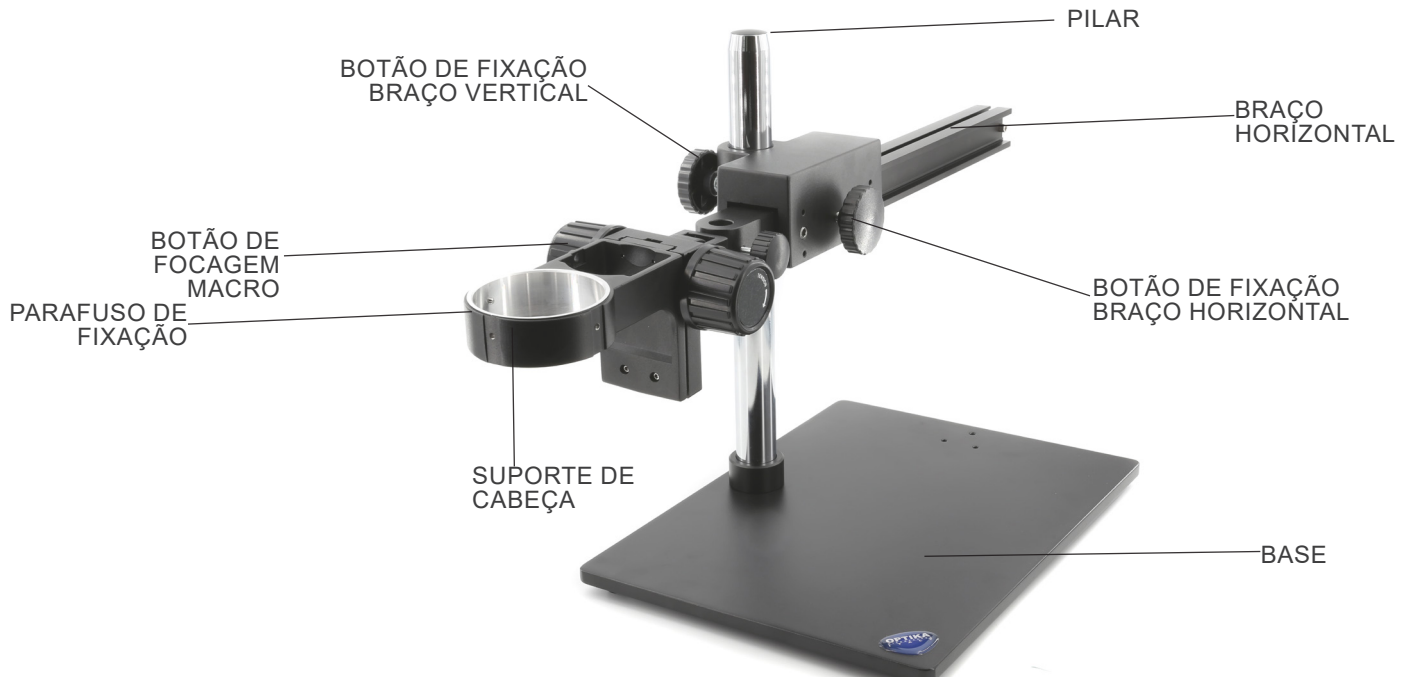
7.12 SZ-STL1



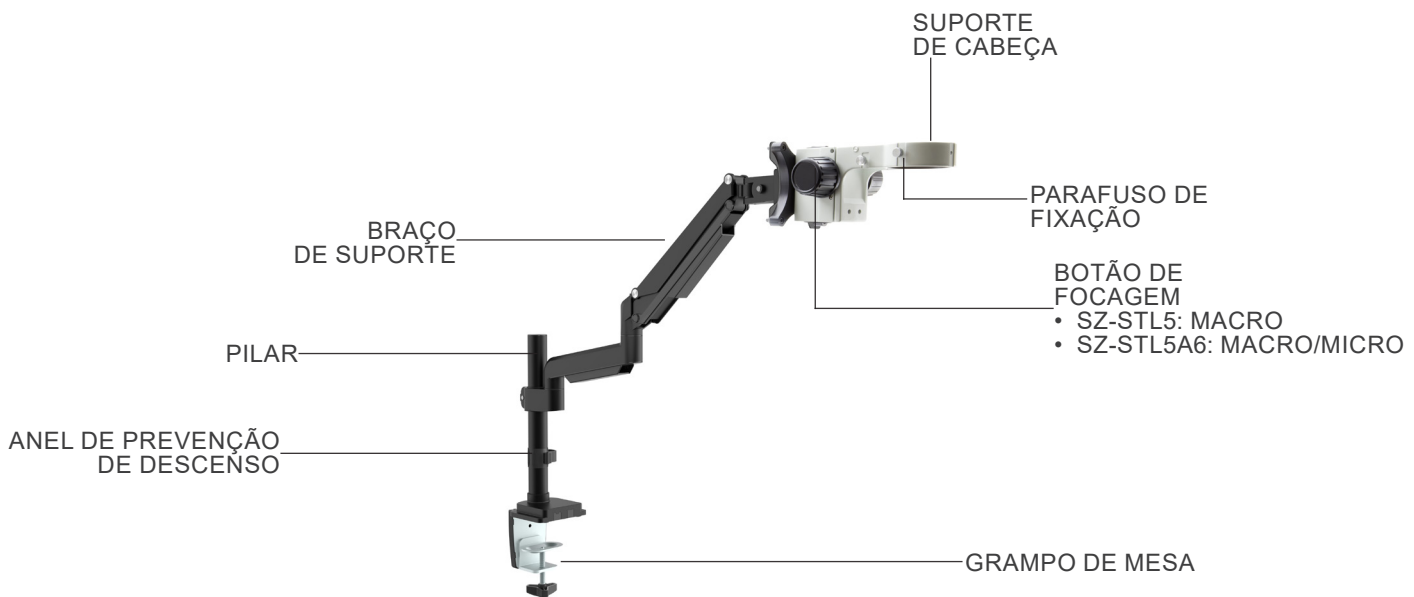
7.13 SZ-STL2



7.14 SZ-STL3X



7.15 SZ-STL5 / SZ-STL5A6



7.16 SZ-STL5LED



8. Montagem

8.1 SZ-A1 / SZ-A6

- A montagem dos sistemas de focagem SZ-A1 e SZ-A6 aplica-se a todas as bases excepto ST-152, SZ-STL1, SZ-STL2, SZ-STLX e SZ-STL5. Para a montagem sobre estas bases, consulte a secção específica.
1. Coloque o sistema de focagem no pilar e, uma vez atingida a altura desejada, aperte o botão de bloqueio ① localizado na parte posterior do sistema de focagem. (Fig. 1)



8.2 SZ-ST1 / ST-150

1. Retire a base da embalagem e coloque-a sobre uma superfície plana. A base já está montada de fábrica e não requer qualquer outro procedimento de montagem além da montagem do sistema de focagem.

8.3 ST-152

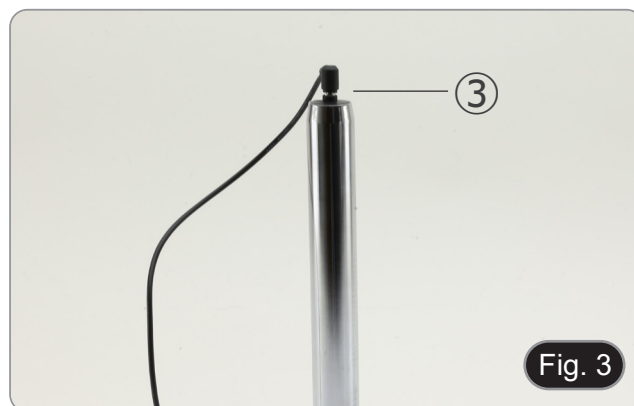
1. Retire a base da embalagem e coloque-a sobre uma superfície plana. A base já está montada de fábrica e não requer qualquer outro procedimento de montagem.

8.4 SZ-ST2 / SZ-ST3

1. Instale o projector LED para luz incidente como mostrado na Fig. 2.
- Afrouxando o parafuso de fixação ② é possível alterar o ângulo de inclinação do projector para otimizar a iluminação na amostra.



2. Insira o plugue do cabo no conector na parte superior do pilar ③. (Fig. 3)



3. Conecte o plugue da fonte de alimentação ao conector na parte traseira da base do microscópio. (Fig. 4)



8.5 SZ-ST7 / SZ-ST8 / SZ-OBL

1. Retire a base da embalagem e coloque-a sobre uma superfície plana. A base já está montada de fábrica e não requer qualquer outro procedimento de montagem além da montagem do sistema de focagem.
2. Conecte o plugue da fonte de alimentação ao conector na parte traseira da base do microscópio. (Fig. 4)

8.6 SZ-STL1

1. Aparafusar o pilar à base. (Fig. 5)



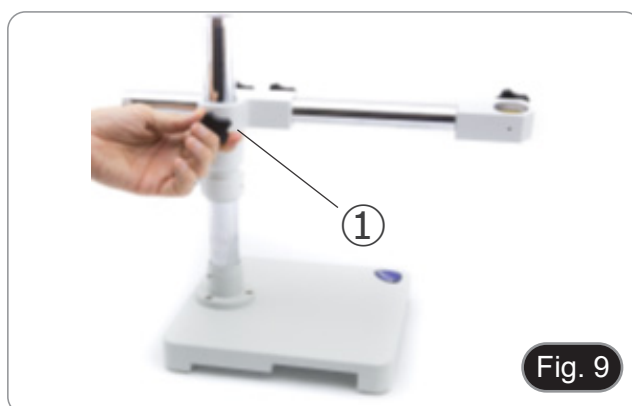
2. Aperte os parafusos para bloquear o pilar. (Fig. 6)



3. Insira o anel de prevenção de descenso e fixe-o na altura desejada aparafusando o botão de fixação. (Fig. 7)



4. Inserir o braço horizontal e fixá-lo com o parafuso de fixação ①. (Fig. 8 - 9)



5. Instale o suporte da cabeça. Desaperte o botão de bloqueio ③ e insira o braço para o suporte de focagem a partir de cima ② no orifício do braço horizontal. (Fig. 10)



6. Uma vez completamente inserido, aperte o parafuso de fixação ④. (Fig. 11)



7. Insira o sistema de focagem por baixo, aperte o parafuso de fixação ⑤ e volte a apertar o botão de bloqueio ③ por baixo. (Fig. 12-13)



8.7 SZ-STL2

1. Aparafusar o pilar à base. (Fig. 14)



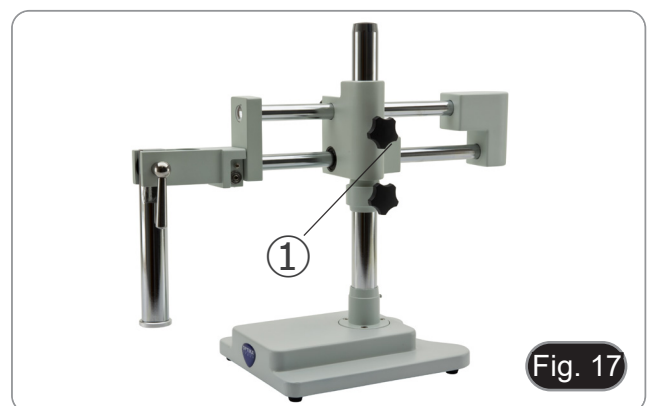
2. Aperte os parafusos para bloquear o pilar. (Fig. 15)



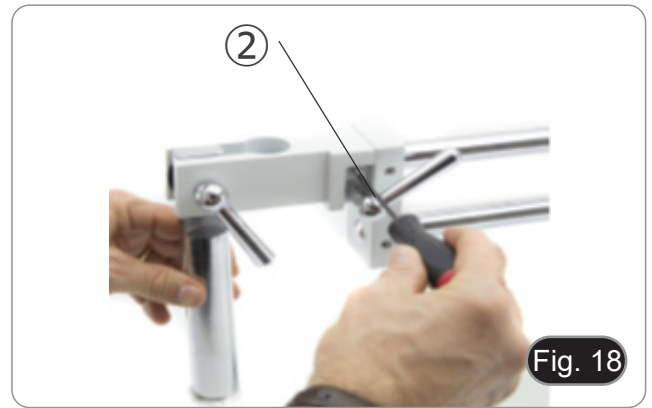
3. Insira o anel de prevenção de descenso e fixe-o na altura desejada aparafusando o botão de fixação. (Fig. 16)



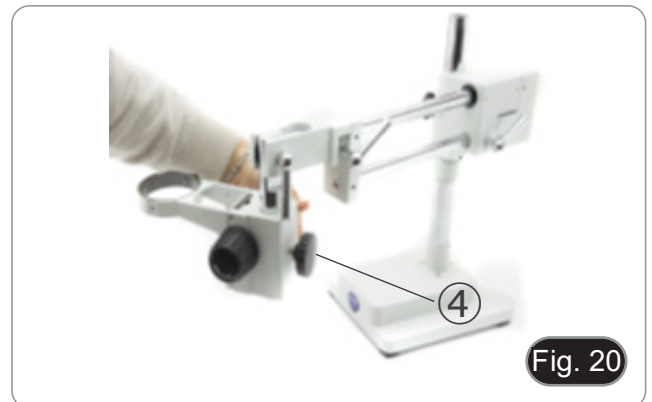
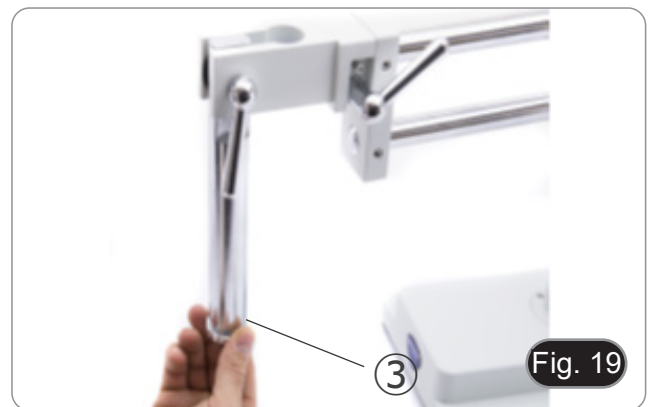
4. Inserir o braço horizontal e fixá-lo com o parafuso de fixação ① (Fig. 17)



5. Para maior segurança, aperte o parafuso de fixação ② com a chave Allen fornecida. (Fig. 18)

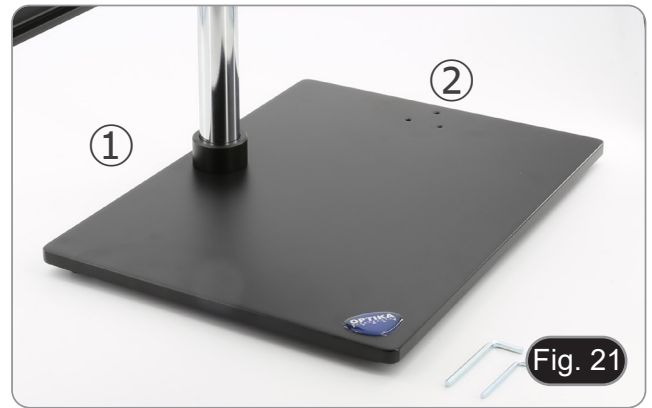


6. Instale o sistema de foco. Desaperte o botão de bloqueio ③ e insira o suporte ④ por baixo no braço vertical. Em seguida, volte a aparafusar o botão de bloqueio ③. (Fig. 19-20)



8.8 SZ-STL3X

1. Insira os três parafusos de fixação da coluna por baixo da base e, utilizando a chave Allen de 3 mm fornecida, aperte os parafusos.
 - Dependendo das necessidades do operador, é possível fixar a coluna no lado comprido ① ou no lado curto ② da base. (Fig. 21)



2. Insira o anel de prevenção de descenso e fixe-o na altura desejada aparafusando o botão de fixação. (Fig. 22)



3. Inserir o braço horizontal e fixá-lo com o parafuso de fixação ③. (Fig. 23)

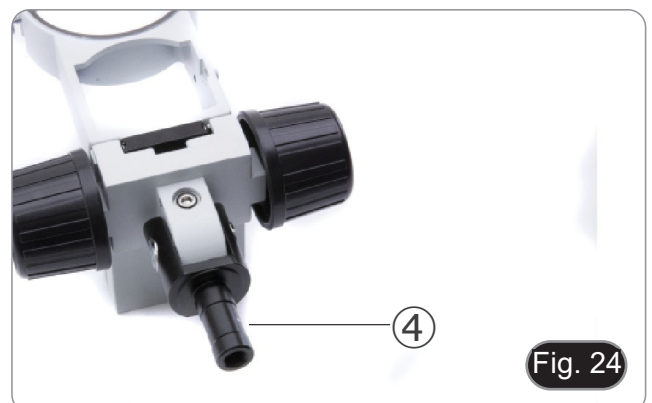


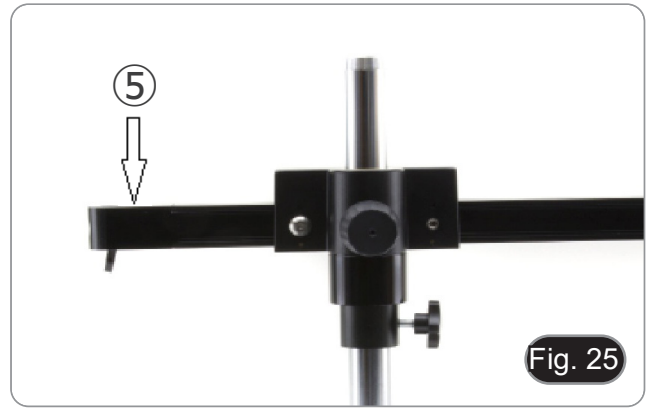
4. O suporte da cabeça pode ser instalado de diferentes formas, dependendo das necessidades específicas do utilizador.

Modo de instalação n° 1: (Fig. 24-26)

Insira a parte traseira do apoio de cabeça (parte preta redonda) ④ (Fig. 24) a partir do topo no orifício do braço horizontal ⑤ (Fig. 25) e bloqueá-la com o botão de fixação ⑥. (Fig. 26)

- **Este modo permite a instalação de cabeças pesadas (ou com câmaras pesadas instaladas acima da cabeça).**





Modo de instalação n° 2: (Fig. 27)

Insira a parte traseira do apoio de cabeça (parte preta redonda) ④ (Fig. 24) no orifício na extremidade do braço horizontal e e bloqueá-la com o botão de fixação ⑥. (Fig. 27)



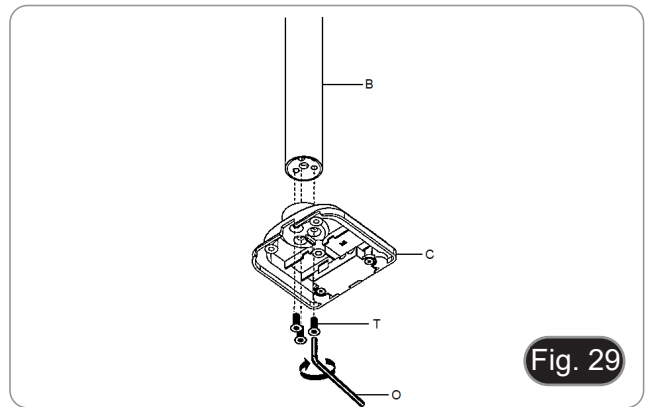
- Este modo permite que você incline a cabeça. (Fig. 28)



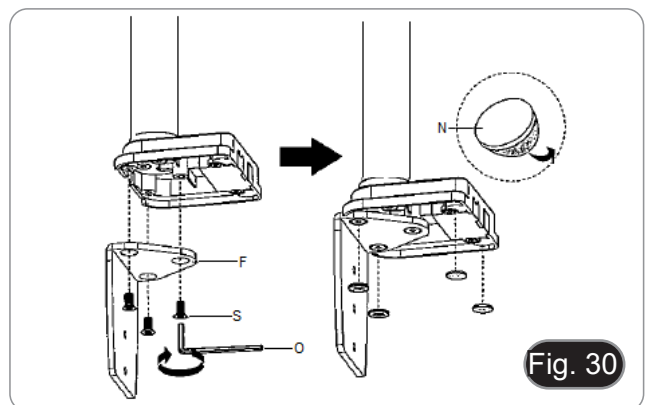
8.9 SZ-STL5 / SZ-STL5A6 / SZ-STL5LED

8.9.1 Fixação de mesa com grampo

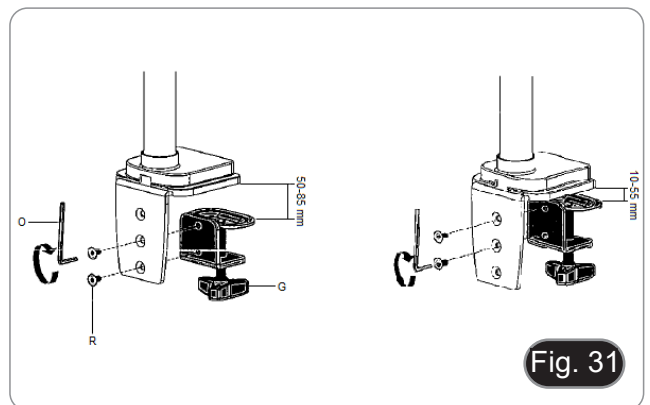
1. Fixar o pilar (B) ao grampo de mesa (C) usando os três parafusos (T). (Fig. 29)



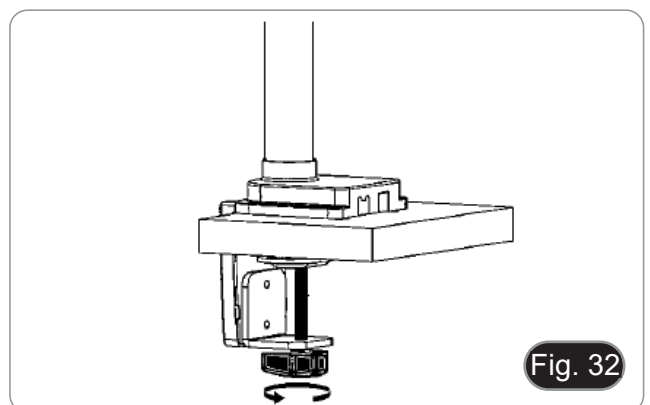
2. Fixar o suporte da pinça (E) à pinça de mesa (C) usando os três parafusos (S). (Fig. 30)
3. Colar as represas de borracha (N) ao grampo de mesa.



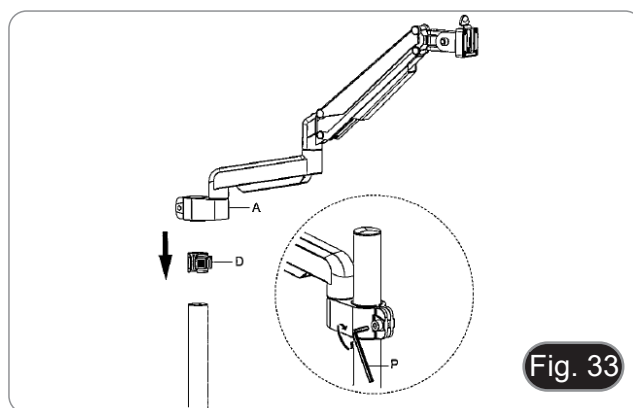
4. Fixar o grampo (G) ao suporte do grampo (F) usando os dois parafusos (R). (Fig. 31)
- **NOTA:** Dependendo da espessura da mesa, o grampo (G) pode ser montado em duas posições diferentes.



5. Fixar a tampa de plástico (H) ao suporte da pinça, depois fixar o conjunto à mesa aparafusando o botão de fixação. (Fig. 32)
- **NOTA:** A tampa de plástico (H) serve também como recipiente para as chaves Allen utilizadas para a montagem e ajuste de tensão das várias partes.

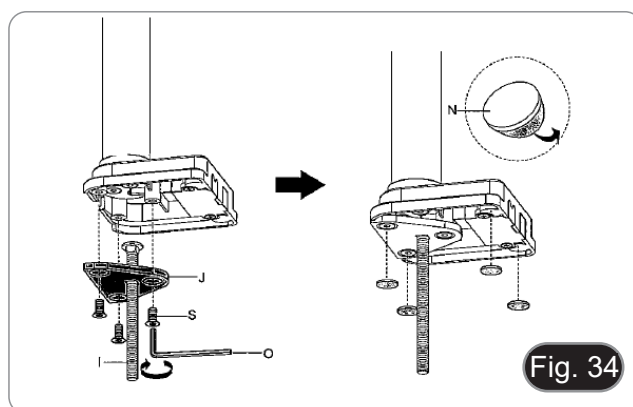


6. Inserir o anel de prevenção de queda (D) no pilar.
7. Inserir o braço flexível (A) e apertar o parafuso de fixação. (Fig. 33)

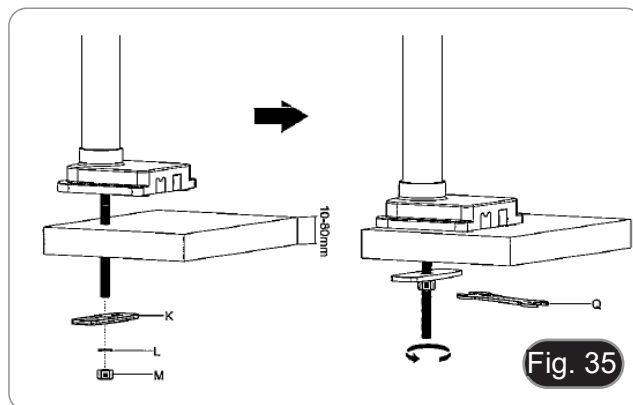


8.9.2 Fixação de mesa com furo passante

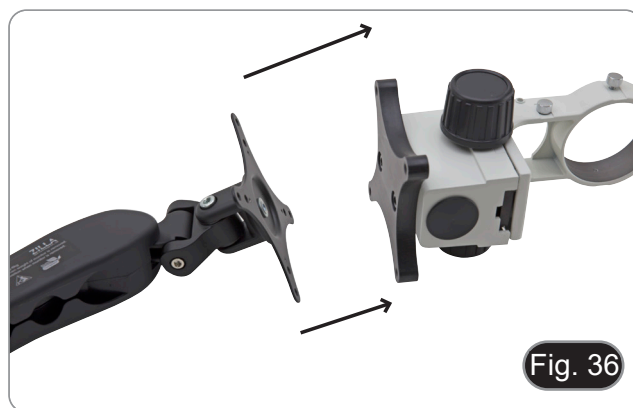
1. Faça um furo na mesa onde pretende instalar o suporte.
2. Repetir o procedimento descrito no passo 1) do capítulo 8.9.1.
3. Introduzir o parafuso (I) na placa de fixação (J).
4. Apertar a placa de fixação com os três parafusos (S). (Fig. 34)
5. Colar as represas de borracha (N) ao grampo de mesa.



6. Introduzir o parafuso (I) no orifício da mesa.
7. Fixar o conjunto utilizando a placa de fixação (K), a anilha (L) e a porca (M).
8. Apertar a porca com a chave inglesa (Q). (Fig. 35)
9. Repetir o procedimento descrito nos passos 6) e 7) do capítulo 8.2.1 para instalar o braço flexível.



10. Montar o foco no braço, usando os parafusos fornecidos e a chave Allen. (Fig. 36)



8.10 Instalar a cabeça (todos os modelos)

Inserir a cabeça e fixar o parafuso de bloqueio. (Fig. 37)



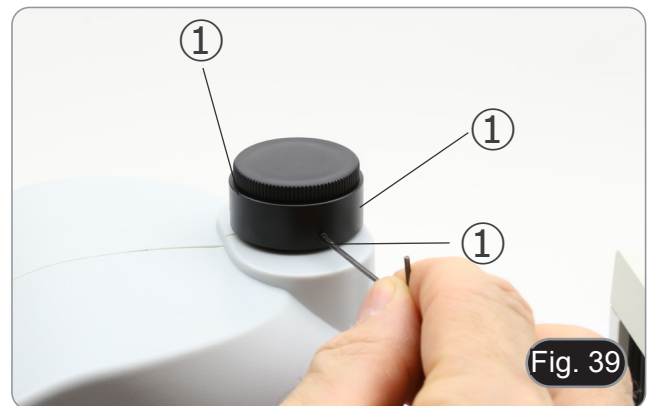
8.11 Instalar as oculares (todos os modelos)

1. Remova as tampas de poeira dos porta oculares e insira as oculares. (Fig. 38)
2. Bloqueie as oculares apertando o parafuso de bloqueio ①.

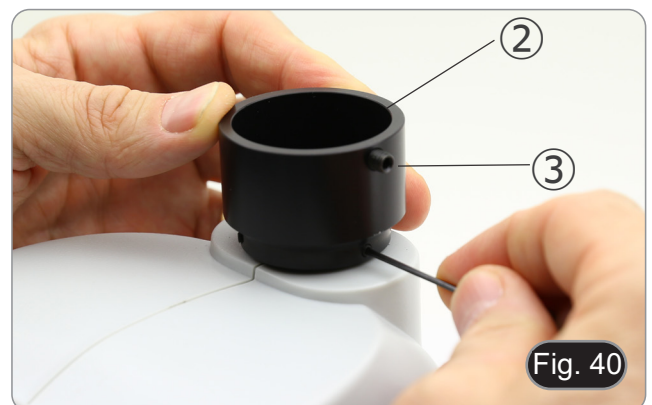


8.12 Instalar a saída de foto (SZX-T / TA)

1. Desaperte os parafusos de fixação ① da saída de foto fornecida e remova a saída de foto existente. (Fig. 39)



2. Insira o anel da saída da foto ② certificando-se de deixar o parafuso de fixação do adaptador da foto ③ virado para a direita. (Fig. 40)
3. Aperte os parafusos de fixação ①. (Fig. 39)



9. Uso do microscópio

9.1 Ajuste da distância interpupilar

1. Segure os lados esquerdo e direito da cabeça de observação com ambas as mãos e ajuste a distância interpupilar rodando os dois lados até que um único círculo de luz seja visível. (Fig. 41)
- Se você observar dois círculos, a distância é muito grande.
- Se você observar duas imagens parcialmente sobrepostas, a distância é muito pequena.



9.2 Focalização

1. Coloque a amostra a ser observada na placa e focalize usando os botões de foco ①.
- Se necessário, ajuste a altura do corpo do microscópio ao longo do pilar vertical.
- Bloqueie o parafuso de bloqueio ② depois de ajustar a altura. (Fig. 42)

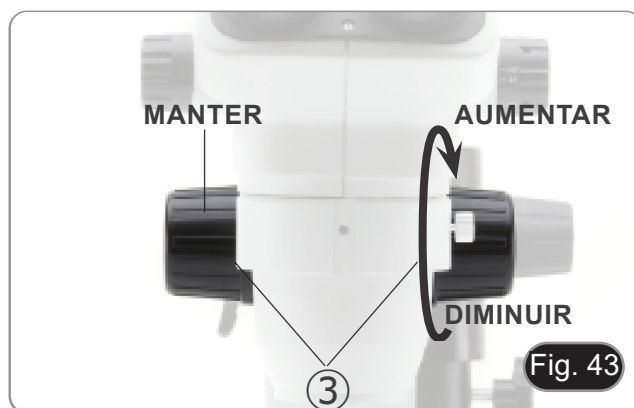


9.3 Ajuste da tensão de focagem

- Este ajuste permite aumentar ou diminuir a tensão dos botões de focagem, evitando uma descida indesejada do microscópio sob seu próprio peso. Ajuste da tensão logo acima do ponto de estabilidade do foco.

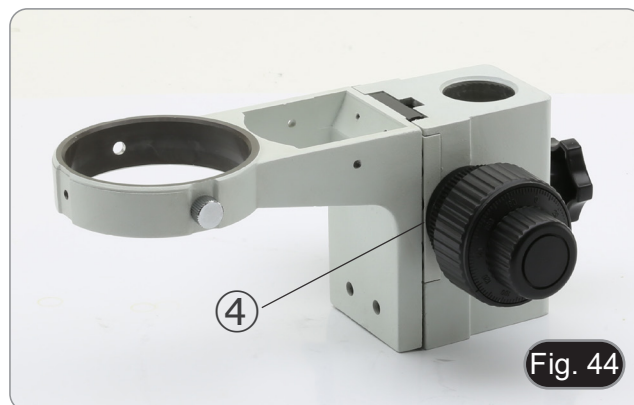
9.3.1 SZ-A1

1. Segure os botões ③ ambas as mãos e, enquanto segura o botão esquerdo, rode o botão direito.
- A tensão aumenta ou diminui em função do sentido de rotação do botão direito. (Fig. 43)



9.3.2 SZ-A6

1. Gire o anel de ajuste ④ no sentido horário até que a tensão desejada seja atingida.
- Girar no sentido anti-horário fará com que a tensão caia, resultando em perda de foco. (Fig. 44)



9.4 Compensação dióptrica

- **Esta compensação permite aos utilizadores de óculos adaptar o microscópio à sua visão e utilizar o microscópio sem óculos.**

1. Zoom para ampliação mínima ① e focagem com os botões de focagem ②. (Fig. 45)
2. Ampliar ao máximo a ampliação e reorientar a focagem.
3. Retorno à ampliação mínima: a amostra estará fora de foco.



4. Ajuste o anel de ajuste dióptrico da ocular direita ③ até que a imagem observada esteja nítida e focada (Fig. 46). Repita o procedimento com o anel da ocular esquerda.
5. Agora verifique o foco da amostra em todo o intervalo de zoom. O sistema é agora perfeitamente parfocal (o foco é mantido durante a alteração da ampliação).



9.5 Ampliação

1. Seleccione a ampliação pretendida com o interruptor de zoom ①. (Fig. 47)
- Se necessário, utilize oculares diferentes e/ou uma lente adicional apropriada para obter a ampliação desejada.
 - **Apenas para a série SZO:** O corpo do microscópio está equipado com uma função “click stop” que permite obter uma ampliação precisa (Fig. 47). A parada de clique pode ser activada ou desactivada inserindo a chave Allen fornecida no orifício no lado direito do microscópio.



9.6 Uso de lentes adicionais

1. Aparafuse a lente adicional no corpo do microscópio. (Fig. 48)
- Cada lente tem uma distância de trabalho específica.
 - O curso do suporte do foco pode não compensar as diferentes distâncias de trabalho das várias lentes adicionais.
 - Se o suporte do foco não conseguir focar a amostra, todo o corpo do microscópio deve ser levantado ou abaixado.

A ampliação total é calculada desta forma:

Ampliação da ocular * Ampliação do zoom * Ampliação adicional da lente.



Série SZX (0.67x - 4.5x / F.N. 22mm)

Ocular	10x		15x		20x		25x	
Índice de campo (mm)	22		16		12		9	
Objetiva	Ampliação total	F.O.V. (mm)	Ampliação total	F.O.V. (mm)	Ampliação total	F.O.V. (mm)	Ampliação total	F.O.V. (mm)
0.3X	2.01X-13.5X	109.45-16.30	3.02X-20.25X	79.60-11.85	4.02X-27X	59.70-8.89	5.03X-33.75X	44.78-6.67
0.5X	3.35X-22.5X	65.67-9.78	5.03X-33.75X	47.76-7.11	6.7X-45X	35.8-5.33	8.38X-56.25X	26.87-4.00
0.75X	5.03X-33.75X	43.78-6.52	7.54X-50.63X	31.84-4.74	10.05X-67.5X	23.88-3.56	12.56X-84.37X	17.91-2.67
1X	6.7X-45X	32.84-4.89	10.05X-67.5X	23.88-3.56	13.4X-90X	17.91-2.67	16.75X-112.5X	13.43-2.00
1.5X	10.05X-67.5X	21.89-3.26	15.08X-101.25X	15.92-2.37	20.1X-135X	11.94-1.78	25.13X-168.75X	8.96-1.33
2X	13.4X-90X	16.42-2.44	20.1X-135X	11.94-1.78	26.8X-180X	8.96-1.33	33.5X-225X	6.72-1.00

Série SZX-A (0.65x - 5.5x / F.N. 23mm)

Ocular	10x		15x		20x		25x	
Índice de campo (mm)	23		16		12		9	
Objetiva	Ampliação total	F.O.V. (mm)	Ampliação total	F.O.V. (mm)	Ampliação total	F.O.V. (mm)	Ampliação total	F.O.V. (mm)
0.3X	1.95X-16.5X	117.95-13.94	2.93X-24.75X	82.05-9.70	3.9X-33X	61.54-7.27	4.88x-41.25x	46.15-5.45
0.5X	3.25X-27.5X	70.77-8.36	4.88X-41.25X	49.23-5.82	6.5X-55X	36.92-4.36	8.13x-68.75X	27.69-3.27
0.75X	4.88X-41.25X	47.18-5.58	7.31X- 61.88X	32.82-3.88	9.75X-82.5X	24.62-2.91	12.19x-103.13X	18.46-2.18
1X	6.5X-55X	35.38-4.18	9.75X-82.5X	24.62-2.91	13X-110X	18.46-2.18	16.25X-137.5X	13.85-1.64
1.5X	9.75X-82.5X	23.59-2.79	14.63X-123.75X	16.41-1.94	19.5X-165X	12.31-1.45	24.38X-206.25X	9.23-1.09
2X	13X-110X	17.69-2.09	19.5X-165X	12.31-1.45	26X-220X	9.23-1.09	32.5X-275X	6.92-0.82

Série SZO (0.67x - 4.5x / F.N. 23mm)

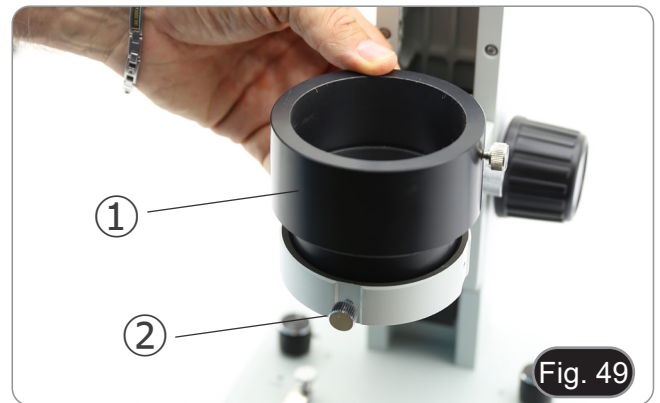
Ocular	10x		15x		20x		25x	
Índice de campo (mm)	23		16		12		9	
Objetiva	Ampliação total	F.O.V. (mm)	Ampliação total	F.O.V. (mm)	Ampliação total	F.O.V. (mm)	Ampliação total	F.O.V. (mm)
0.3X	2.01X-13.5X	114.43-17.04	3.02X-20.25X	79.60-11.85	4.02X-27X	59.70-8.89	5.03X-33.75X	44.78-6.67
0.5X	3.35X-22.5X	68.66-10.22	5.03X-33.75X	47.76-7.11	6.7X-45X	35.82-5.33	8.38X-56.25X	26.87-4.00
0.75X	5.03X-33.75X	45.77-6.81	7.54X- 50.63X	31.84-4.74	10.05X-67.5X	23.88-3.56	12.56X-84.38X	17.91-2.67
1X	6.7X-45X	34.33-5.11	10.05X-67.5X	23.88-3.56	13.4X-90X	17.91-2.67	16.75X-112.5X	13.43-2.00
1.5X	10.05X-67.5X	22.89-3.41	15.08X-101.25X	15.92-2.37	20.1X-135X	11.94-1.78	25.13X-168.75X	8.96-1.33
2X	13.4X-90X	17.16-2.56	20.1X-135X	11.94-1.78	26.8X-180X	8.96-1.33	33.5X-225X	6.72-1.00

9.7 Uso de lentes adicionais 0.3X-0.5X

As lentes adicionais 0.3X e 0.5X têm uma longa distância de trabalho e, portanto, o curso total da coluna de focagem não pode compensar.

Para que as lentes adicionais 0.3X e 0.5X funcionem correctamente, proceda da seguinte forma:

1. Aparafuse a lente adicional conforme descrito na secção 9.7.
2. Remova o corpo do microscópio do suporte.
3. Instale o espaçador ① no suporte de cabeça e aperte o parafuso de fixação ②. (Fig. 49)
4. Monte novamente o corpo do microscópio no espaçador e aperte o parafuso de fixação ③. (Fig. 50)
5. Comece a trabalhar normalmente.



9.8 Disco preto/branco (SZ-ST1 / 2 / 3 / 7 / 8)

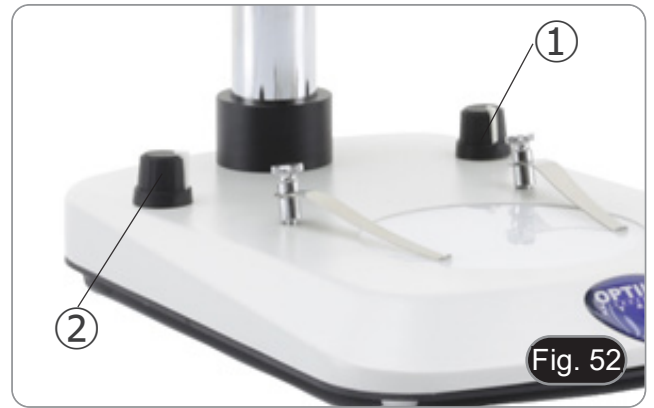
Você pode usar um disco de contraste preto/branco para aumentar o contraste da imagem ao trabalhar com luz incidente. (Fig. 51)

Se você estiver olhando para amostras claras, coloque o disco com a parte preta voltada para cima.



9.9 Uso de iluminação (SZ-ST2 / 3 / 7 / 8)

1. Rode o botão da luz incidente ① para ligar/desligar ou alterar a intensidade do LED para luz incidente. (Fig. 52)
 2. Rode o botão da luz transmitida ② para ligar/desligar ou alterar a intensidade do LED para luz transmitida.
- Você pode usar ambas as luzes ao mesmo tempo.



Apenas para SZ-ST7 / SZ-ST8:

- Incline e posicione os braços auto-portantes da base ③ para iluminar de forma ideal a amostra. (Fig. 53)
- Os braços podem ser colocados individualmente na posição desejada.



9.10 Uso de iluminação (SZ-OBL)

1. Rode o botão da luz transmitida ① para ligar/desligar ou alterar a intensidade do LED para luz transmitida. (Fig. 54)
 2. Rodar o botão de rotação do espelho ② para inclinar o espelho até obter a iluminação oblíqua desejada.
- O espelho tem uma superfície lisa e uma superfície serrilhada. As duas superfícies permitem otimizar a observação, fornecendo contraste adequado em função da amostra a ser observada.



9.11 Uso de ilhós de borracha (SZO-B / T)

- Usar com óculos de receitaário

Baixe as oculares de borracha com ambas as mãos. A presença dos piscas rebaixados evita arranhar as lentes dos óculos. (Fig. 55)



- **Usar sem óculos de receituário**

Levante os piscas e observe sob o microscópio, colocando os olhos sobre os piscas, de modo a evitar que a luz externa perturbe os olhos. (Fig. 56)



9.12 Uso de bases em balanço

9.12.1 SZ-STL1

Deslocar o braço horizontal

1. Desaperte os botões do lado direito do braço horizontal ①. (Fig. 57)
2. O braço pode ser estendido ou encurtado de acordo com necessidades específicas. (Fig. 58)



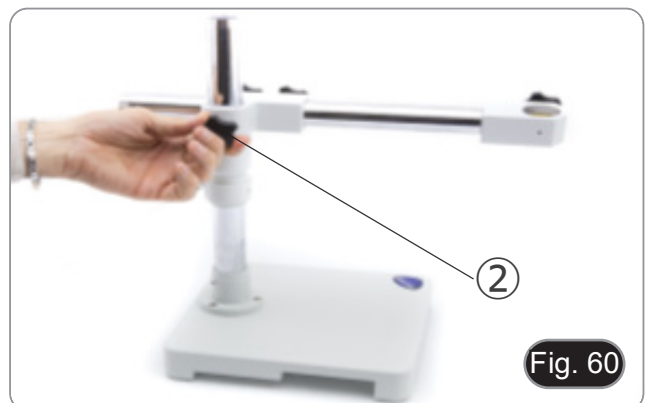
Modificar o ângulo da cabeça

1. Desaperte os botões ① e rode a cabeça para o ângulo desejado (direito ou esquerdo), depois aperte o parafuso de fixação. (Fig. 59)



Girar o braço horizontal

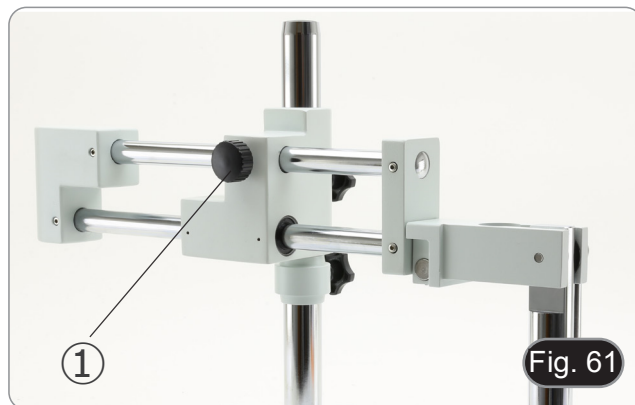
1. Desaperte o parafuso de fixação do braço horizontal ② e rode o braço, depois aperte o parafuso de fixação. (Fig. 60)
- **NOTA: Girar o microscópio 180° a partir da base pode fazer com que todo o sistema tombe.**



9.12.2 SZ-STL2

Deslocar o braço horizontal

1. Desaperte o botão no lado esquerdo do braço horizontal ①. (Fig. 61)



2. O braço pode ser estendido ou encurtado de acordo com necessidades específicas. (Fig. 62)



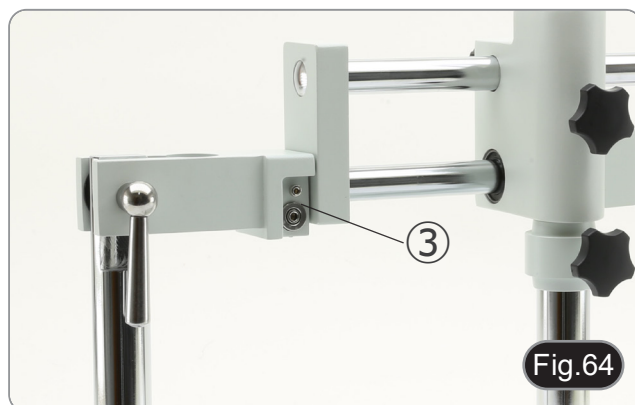
Inclinar o suporte de cabeça

1. Desaperte o botão ② (Fig. 63) no lado direito do suporte. O braço basculante vertical pode ser movimentado. Uma vez alcançado o ângulo desejado, aperte o botão.



Modificar o ângulo da cabeça

1. Desaperte o parafuso de fixação ③ e rode a cabeça para o ângulo desejado (direito ou esquerdo), depois aperte o parafuso de fixação. (Fig. 64-65)





Girar o braço horizontal

1. Desaperte o parafuso de fixação do braço horizontal ④ e rode o braço, depois aperte o parafuso de fixação. (Fig. 66)
- **NOTA:** Girar o microscópio 180° a partir da base pode fazer com que todo o sistema tombe.



9.12.3 SZ-STL3X

Deslocar o braço horizontal

1. Desaperte o botão do lado direito do braço horizontal ①. (Fig. 67)



2. O braço pode ser estendido ou encurtado de acordo com necessidades específicas. (Fig. 68)



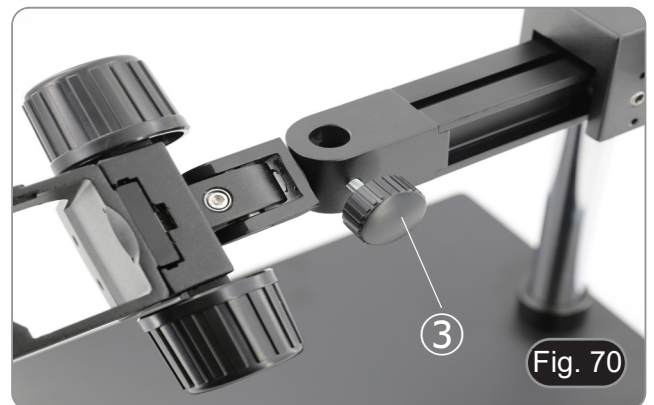
Inclinar o suporte de cabeça

1. Desaperte o parafuso Allen ② (Fig. 69) na parte superior do apoio de cabeça.
2. A parte preta pode ser movida. Uma vez atingido o ângulo desejado, aperte novamente o parafuso.



Modificar o ângulo da cabeça

1. Desbloqueie o botão de fixação ③ e rode a cabeça para o ângulo de rotação desejado (esquerda ou direita), depois aperte novamente o botão. (Fig. 70-71)



Girar o braço horizontal

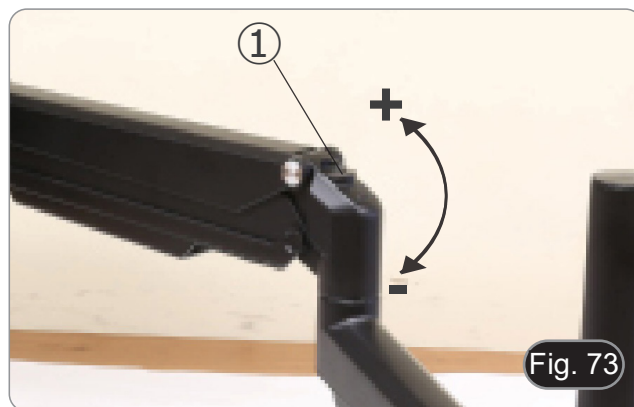
1. Desaperte o botão de fixação do braço horizontal ④ e rode o braço, depois volte a apertar o botão. (Fig. 72)
- **NOTA:** Girar o microscópio 180° a partir da base pode fazer com que todo o sistema tombe.



9.12.4 SZ-STL5 / SZ-STL5A6 / SZ-STL5LED

Ajustar a tensão do braço horizontal

- Se o braço horizontal tende a cair automaticamente, a tensão pode precisar de ser ajustada para corresponder ao peso total do sistema.
1. Usando uma chave Allen de 6mm (P) apertar o parafuso ① para aumentar a resistência do suporte do braço horizontal. (Fig. 73)
- A rotação no sentido anti-horário aumenta a tensão, enquanto a rotação no sentido horário a reduz.



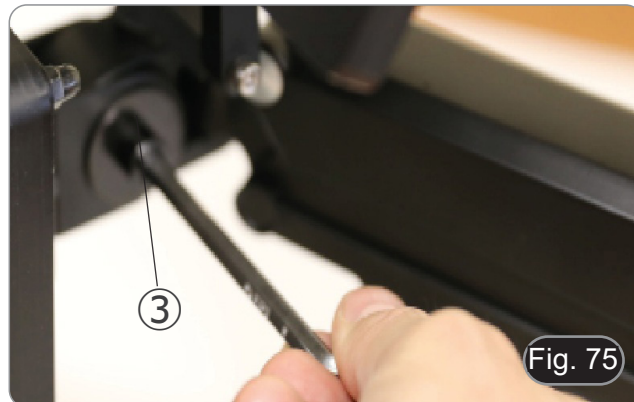
Rodar a cabeça

- A cabeça pode ser rodada horizontalmente.
1. Usando a chave Allen (P) de 6mm, soltar o parafuso ②, rodar a câmara na posição desejada e depois apertar o parafuso. (Fig. 74)



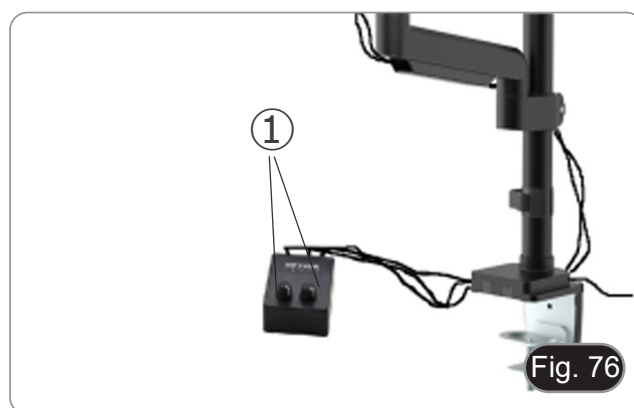
Inclinar a cabeça

1. Utilizando a chave Allen (P) de 6mm afrouxar o parafuso ③, inclinar a cabeça na posição desejada e depois apertar o parafuso. (Fig. 75)



Ajustar a intensidade da luz

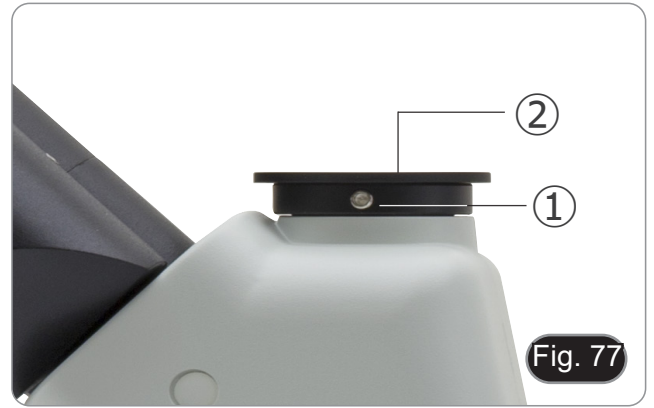
Rodar os botões de ajuste da intensidade luminosa ① para ligar/desligar e para aumentar / diminuir a intensidade luminosa de cada um dos braços LED. (Fig. 76)



10. Microfotografia

10.1 Uso de câmaras de passo "C"

1. Desaperte o parafuso de aperto ① na porta trinocular e retire a tampa do pó ②. (Fig. 77)



2. Aparafuse o adaptador C-mount ③ à câmara ④ e insira o encaixe redondo do C-mount no orifício vazio da porta trinocular (Fig. 78), depois aperte o parafuso de aperto ①.



10.2 Uso de câmaras Reflex

1. Insira o adaptador Reflex ① no tubo do relé no microscópio ②.
2. Aparafuse o anel "T2" ③ (não fornecido) ao adaptador de reflex.
3. Conecte a câmara Reflex ④ ao anel "T2" recém-instalado. (Fig. 79)
4. Monte a extremidade do tubo de ligação ② no orifício vazio do tubo trinocular e, em seguida, aperte o parafuso de aperto. (Fig. 77)
 - O anel "T2" não é fornecido junto com o microscópio, mas está disponível comercialmente.
 - Ao fotografar amostras escuras, escureça as oculares e o visor com um pano escuro para minimizar a luz difusa.
 - Para calcular a ampliação da câmara: ampliação da objectiva * ampliação da câmara * ampliação da objectiva.
 - **Ao usar uma câmara SLR, o movimento espelhado pode fazer com que a câmara vibre.**
 - **Sugerimos que levante o espelho, utilizando tempos de exposição longos e um cabo remoto.**



11. Manutenção

Ambiente de trabalho

Recomenda-se de utilizar o microscópio em um ambiente limpo e seco, sem o risco de colisões, a uma temperatura entre 0°C e 40°C e com uma humidade relativa máxima de 85% (em ausência de condensação). Recomenda-se o uso de um desumidificador, se necessário.

Antes e depois do uso do microscópio



- Manter o microscópio sempre em posição vertical quando se o desloca.
- Certificar-se além disso que as partes móveis, por exemplo os oculares, não caiam.
- Não manusear sem precauções e não usar força inútil no microscópio.
- Não tentar fazer qualquer reparação por si próprio.
- Depois do uso desligar imediatamente a lâmpada, cobrir o microscópio com a sua protecção anti-pó fornecida e mantê-lo em um lugar seco e limpo.

Precauções para um uso seguro



- Antes de ligar a fonte de alimentação à rede eléctrica certificar-se que a tensão local seja adequada à do aparelho e que o interruptor da lâmpada esteja posicionado no off.
- Seguir todas as precauções de segurança da zona na qual se trabalha.
- O aparelho é aprovado segundo as normas de segurança CE. Os utilizadores têm, de qualquer modo plena responsabilidade sobre a Uso em segurança do microscópio.

Limpeza das lentes

- Caso as lentes necessitem de ser limpas, utilizar em primeiro lugar ar comprimido.
- Se não for suficiente usar um pano que não deixe fiapos, húmido com água e um detergente delicado.
- Em último caso é possível usar um pano humedecido com uma solução 3:7 de álcool etílico e éter.
- **Atenção: o álcool etílico e o éter são substâncias altamente inflamáveis. Não usar junto a uma fonte de calor, faíscas ou junto a aparelhos eléctricos. As substâncias devem ser manuseadas em um lugar bem ventilado.**
- Não esfregar as superfícies de nenhuma lente com as mãos. As impressões digitais poderão danificar as lentes.
- Não desmontar as objetivas ou os oculares para tentar limpá-los.

Para um melhor resultado utilizar o kit de limpeza OPTIKA (ver catálogo).

Se for necessário enviar o microscópio ao fabricante para a sua manutenção, pede-se que seja utilizada a embalagem original.

12. Resolução de problemas

Reveja a informação na tabela abaixo para tentar solucionar problemas de operação.

PROBLEMA	CAUSA	SOLUÇÃO
I. Secção Óptica:		
A iluminação está ligada, mas o campo de visão está escuro	O plugue do suporte da lâmpada não está conectado ao grupo de iluminação	Conecte-os
	O brilho é muito baixo	Defina um ajuste apropriado
O campo de visão está obscurecido ou não está uniformemente iluminado	O iluminador da luz do incidente não está correctamente orientado	Alterar o ângulo do iluminador do incidente
Pó e manchas podem ser vistas no campo de visualização	Há manchas e pó na amostra	Limpe a amostra
	Há manchas e pó na ocular	Limpe a ocular
Qualidade da imagem insatisfatória: <ul style="list-style-type: none">• A imagem não é nítida• O contraste não é alto• Os detalhes não são claros• Reflexões na imagem	As lentes (objetivas, oculares) estão sujas	Limpar bem todos os componentes ópticos
Um lado da imagem está fora de foco	A amostra está fora do lugar (saltou)	Coloque a amostra plana sobre a platina
II. Secção Mecânica:		
O botão do foco macro está difícil de rodar	O anel de ajuste da tensão está muito apertado	Solte o anel de ajuste da tensão
O foco é instável	O anel do ajuste da tensão está muito solto	Aperte o anel de ajuste da tensão
III. Secção eléctrica		
O LED não liga	Sem fonte de alimentação	Verifique a conexão do cabo de alimentação
O brilho não é suficiente	O ajuste de brilho é baixo	Ajuste o brilho
A luz pisca	O cabo de alimentação está mal conectado	Verifique o cabo de alimentação
IV. Tubo de visão:		
O campo de visualização dos dois olhos é diferente	A distância interpupilar não é correcta	Ajuste a distância interpupilar
	A correcção dióptrica não é correcta	Ajuste a correcção dióptrico
	A técnica de visualização não é correcta e o operador está a deformar o alcance da vista	Ao olhar numa objectiva, não fixe o olhar na amostra mas olhe todo o campo de visualização. Periodicamente, retire o olhar para olhar para um objecto distante, depois volte para a objectiva
V. Microfotografia e vídeo:		
O canto da imagem não pode ser focado	Para alguns graus, é inerente à natureza das objectivas acromáticas	O problema pode ser diminuído com um ajuste correcto do diafragma de abertura
Manchas brilhantes aparecem na imagem	Luz difusa está a entrar no microscópio através das oculares e através do visor da câmara	Cubra as oculares e o visor com um pano escuro

Eliminação

Art.13 Dlsg 25 de Julho de 2005 N°151. “De acordo com as Directivas 2002/95/CE, 2002/96/CE e 2003/108/CE relativas à redução do uso de substâncias perigosas em equipamentos eléctricos e electrónicos e à eliminação de resíduos.



O símbolo do cesto no equipamento ou na sua caixa indica que o produto no final da sua vida útil deve ser recolhido separadamente dos outros resíduos. A recolha separada deste equipamento no final da sua vida útil é organizada e gerida pelo produtor. O utilizador terá de contactar o fabricante e seguir as regras que adoptou para a recolha de equipamentos fora de uso. A recolha dos equipamentos para reciclagem, tratamento e eliminação compatível com o ambiente ajuda a prevenir possíveis efeitos adversos no ambiente e na saúde e promove o reuso e/ou reciclagem dos materiais dos equipamentos. O descarte inadequado do produto envolve a aplicação de sanções administrativas previstas na legislação em vigor.

OPTIKA® S.r.l.

Via Rigla, 30 - 24010 Ponteranica (BG) - ITALY Tel.: +39 035.571.392
info@optikamicroscopes.com - www.optikamicroscopes.com

OPTIKA® Spain

spain@optikamicroscopes.com

OPTIKA® USA

usa@optikamicroscopes.com

OPTIKA® China

china@optikamicroscopes.com

OPTIKA® India

india@optikamicroscopes.com

OPTIKA® Central America

america@optikamicroscopes.com
